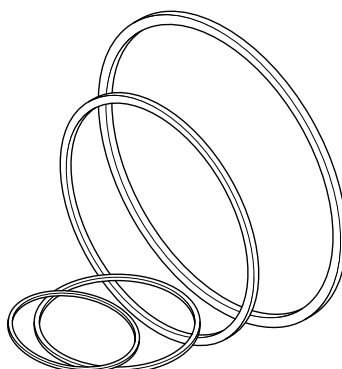


Seal kit

- Swing motor
- Swing motor reduction gear
- Travel motor
- Travel motor reduction gear
- RCV lever
- RCV pedal



Seal kit (Hydraulic excavator)

Model	Swing motor		Travel motor		T/M R/Gear		RCV lever		RCV pedal	
	Part no.		Part no.		Part no.		Part no.		Part no.	
R16-9	XJDK-00099 XJDK-00100*4		XJDK-00035		XJDK-00023		XKAY-00960 XKAY-00747		-#0006 #0007-	
R27Z-9	XJDK-00121 XJDK-00100*4		XJDK-00076		XJDK-00055		XKAY-00960 XKAY-00747		-#0025 #0026-	
R35Z-7	XJBV-00002		XJBV-00118		XJBV-00117		XKAY-00960		XJBN-01104	
R35Z-7A	XJBV-00002		XJBV-00118		XJBV-00117		XKAY-00960		XJBN-01104	
R35Z-9	XJBV-00002		XJBV-00118		XJBV-00117		XKAY-00747		XJBN-01104	
R55-3	-		986B9000-00 HE2C00398B		-#0697 #0698- 986B9000-00 HE2C00398B		-#0697 #0698- 91ER-20050		-	
R55-7	XKAY-00414		XKAH-00838*5 XKAY-00413*6		XKAH-00838*5 XKAY-00413*6		91ER-20050 91ER-20051		-#0446 #0447-	
R55-7A	XKAY-00414		XKAH-00838*5 XKAY-00413*6		XKAH-00838*5 XKAY-00413*6		91ER-20051		-	
R55-9	XKAY-00414		XKAH-00838*5 XKAY-00413*6		XKAH-00838*5 XKAY-00413*6		XKAY-01069		XKAY-00667 XKAY-00715*7	
R80-7	XKAY-00414		XKAY-00595		XKAY-00595		91ER-20051		XKAY-00667	
R80-7A	XKAY-00414		XKAY-00595		XKAY-00595		-		XKAY-00667	
R110-7	XKAY-00325		XJDG-00141		XJDG-00141		91ER-20050 91ER-20051		-#0037 #0038-	
R110-7A	XKAY-00325		XJDG-00141		XJDG-00141		91ER-20051		-	
R130LC	-		-		-		91E1-2703		91E2-2704	
R130LC-3	-		2046A-45113 412B1000-00		-#1563 #1564- 2094A-65132 412B1000-00		-#1563 #1564- 91E1-2703 91ER-20050		-#1442 #1443- 91E6-2717	
R140LC-7	XKAY-00325 #1441-		XKAH-00366 XKAH-00111*2 #0239-2712 XKAH-01074*2 #2713-		XKAH-00366 XKAH-00111*2 #0239-2712 XKAH-01074*2 #2713-		91ER-20050 91ER-20051 XKAY-00791*3		-#1779 #1780- #2709-	
R140LC-7A	XKAY-00325		XKAH-00366 XKAH-01074*2		XKAH-00366 XKAH-01074*2		91ER-20051		-	
R140LC-9	XKAY-01117		XKAH-01457		XKAH-01457		XKAY-01431		XKAY-00667	
R145CR-9	XKAY-01117		XKAH-01457		XKAH-01457		XKAY-01431		XKAY-00667	
R160LC-3	-		-		-		91E1-2703 91ER-20050		-#0421 #0422- 91E6-2717	
R160LC-7	XKAH-00616		XKAH-00366		XKAH-00366		91ER-20050 91ER-20051 XKAY-00791*3		-#0277 #0278- #0817-	
R160LC-7A	XKAH-00616		XKAH-00366		XKAH-00366		91ER-20051		-	
R160LC-9	XKAY-01401		XKAY-00518		XKAY-00518		XKAY-01431		XKAY-00667	
R180LC-3	-		674B9000-00		674B9000-00		91E1-2703 91ER-20050		-#0421 #0422- 91E6-2717	
R180LC-7	XKAH-00616		XKAH-00111 XKAH-01074		-#0371 #0372- XKAH-00111 XKAH-01074		91ER-20050 91ER-20051 XKAY-00791*3		-#0144 #0145- #0370-	
R180LC-7A	XKAH-00616		XKAH-01074		XKAH-01074		91ER-20051		-	

*1 Counter balance valve

*2 High walker

*3 Option (Australia, New Zealand)

*4 Relief valve seal kit

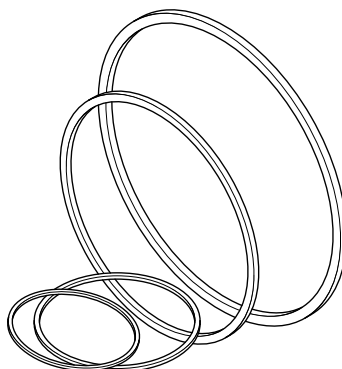
*5 TM07VC

*6 JMV-43

*7 Wood grab

Seal kit

- Swing motor
- Swing motor reduction gear
- Travel motor
- Travel motor reduction gear
- RCV lever
- RCV pedal



Seal kit (Hydraulic excavator)

Model	Swing motor		Travel motor		T/M R/Gear		RCV lever		RCV pedal	
	Part no.		Part no.		Part no.		Part no.		Part no.	
R180LC-9	XKAY-01401		XKAY-00518		XKAY-00518		XKAY-01431		XKAY-00667	
R200LC	91E1-2702		91E1-2720 91E1-2711	1 speed 2 speed	279970070 91E1-2712	1 speed 2 speed	91E1-2703		91E2-2704 91E6-2717	-#1140 #1141-
R210LC-3	-		91E1-2711 674B9000-00	-#1602 #1603-	91E1-2712 674B9000-00	-#1602 #1603-	91E1-2703 91ER-20050	-#1204 #1205-	91E6-2717	
33HDLL	-		3302255-0135		3502255-0134		-		91E6-2717	
R210LC-7	XKAY-00553	#1938-	XKAH-00111 XKAY-00518 XKAH-00460*2 XKAH-01054*3	-#2078 #2079- #0341-2078 #4494-	XKAH-00111 XKAY-00518 XKAH-00460*2 XKAH-01054*3	-#2078 #2079- #0341-2078 #4494-	91ER-20050 91ER-20051 XKAY-00791*3	-#3049 #3050- #5883-	-	
R210LC-7A	XKAY-00553		XKAY-00518		XKAY-00518 XKAH-01054*3		91ER-20051		-	
R210LC-9	XKAY-00553 XKAY-01517	-#0097 #0098-	XKAH-00518		XKAH-00518		XKAY-01069 XKAY-01431	-#0096 #0097-	XKAY-00667	
R235LCR-9	XKAY-01517		XKAH-00518		XKAH-00518		XKAY-01431		XKAY-00667	
R210LC-7H	XKAY-00553	#0001-	XKAY-00518 XKAH-01054*3	#0162-	XKAY-00518 XKAH-01054*3	#0162-	91ER-20051 XKAY-00791*3	#0281-	-	
R210NLC-7	XKAY-00553	#0105-	XKAH-00111 XKAY-00518	-#0109 #0110-	XKAH-00111 XKAY-00518	-#0109 #0110-	91ER-20050 91ER-20051 XKAY-00791*3	-#0192 #0193- #0440-	-	
R210NLC-7A	XKAY-00553		XKAY-00518		XKAH-00518		91ER-20051		-	
R210NLC-9	XKAY-01517		XKAY-00518		XKAH-00518		XKAY-01431		XKAY-00667	
R250LC-3	-		674B9000-00 3302255-0135*2		674B900-00 3502255-0134*2		91ER-20050		91E6-2717	
R250LC-7	XKAH-01060*3	#0720-	XKAH-00111 XKAH-01077 XKAY-00278*2	-#0472 #0473- #0373-	XKAH-00111 XKAH-01077	-#0472 #0473-	91ER-20050 91ER-20051 XKAY-00791*3	-#0309 #0310- #0922-	-	
R250LC-7A	XKAH-01060		XKAH-01077 XKAY-00278*2		XKAH-01077		91ER-20051 XKAY-00791*3	#0004-	-	
R250LC-9	XKAH-01060		XKAH-01279 XKAY-00278*2		XKAH-01279 XKAY-00278*2		XKAY-01069 XKAY-01431	-#0006 #0007-	XKAY-00667	
R280LC	-		91E2-2706		-		91E2-2703		91E2-2704	
R290LC	-		91E2-2706		-		91E1-2703(RH) 91E2-2703(LH)		91E2-2704	
R290LC-3	-		3350800317 3302255-0135	-#0888 #0889-	- 3502255-0134	- #0889-	91ER-20050(RH) 91E2-2703(LH) 91ER-20050	-#1242 -#1242 #1243-	91E6-2717	
R290LC-3LL/RB	-		3350800317 3302255-0135	-#0820 #0821-	- 3502255-0134	- #0889-	91E1-2703(RH) 91E2-2703(LH)		91E6-2717	
42HDLL 39HDB	-		3350800317		-		-		91E6-2717	
R290LC-7	XJBN-00260 XKAH-00465	-#0150 #0151-	XKAY-00278 3302255-0135*2	#1215- -#0178	3502255-0134*2	-#0178	91ER-20050 91ER-20051 XKAY-00791*3	#0001-1108 #1109- #1313-	-	
R290LC-7A	XKAH-00465 XKAH-01060	-#1132 #1133-	XKAY-00278		-		91ER-20051 XKAY-00791*3	#0235-	-	

*Counter balance valve

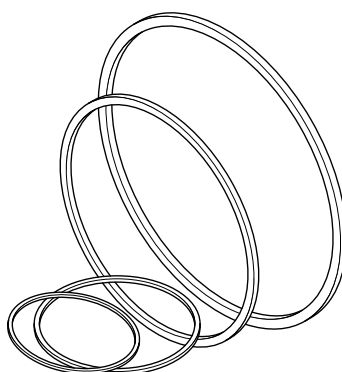
*2High walker

*3Option (Australia, New Zealand)

*4Relief valve seal kit

Seal kit

Swing motor
Swing motor reduction gear
Travel motor
Travel motor reduction gear
RCV lever
RCV pedal



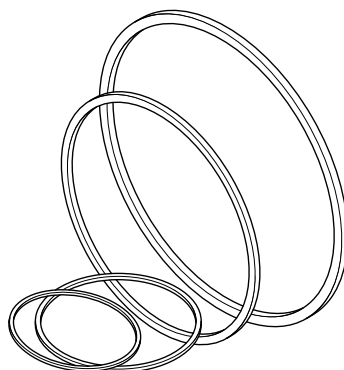
Seal kit (Hydraulic excavator)

Model	Swing motor		Travel motor		T/M R/Gear		RCV lever		RCV pedal	
	Part no.		Part no.		Part no.		Part no.		Part no.	
R290LC-9	-		XKAY-00278	#0318-	XKAY-00278	#0318-	XKAY-01140 XKAY-01445 XKAY-01723	-#0039 #0040-0687 #0688-	XKAY-01069	
R290LC-7H	-		XKAY-00278		-		91ER-20050		-	
R305LC-7	XKAH-00465 XKAH-01060	-#0626 #0627-	XKAY-00278	#0108-	-		91ER-20051 XKAY-00791* ³	#0236-	-	
R320LC	-		-		-		91E1-2703(RH) 91E2-2703(LH)		91E6-2704	
R320LC-3	-		3350800317 21624Y7295601	-#0081 #0082-	-		91E1-2703(RH) 91E2-2703(LH) 91ER-20050	-#0144 -#0144 #0145-	91E6-2717	
R320LC-7	XKAH-00465 XKAH-01060	-#1485 #1486-	XKAY-00278	#0456-	-		91ER-20050 91ER-20051 XKAY-00791* ³	-#0383 #0384- #0902-	-	
R320LC-7A	XKAH-00465 XKAH-01060	-#0465 #0466-	XKAY-00278		-		91ER-20051 XKAY-00791* ³	#0128-	-	
R320LC-9	XKAH-01423		XKAY-00278		-		XKAY-01445 XKAY-01723	-#0021 #0022-	XKAY-01069	
R360LC-3	-		3350800317 3302255-0133	-#0304 #0305-	3502255-0134	#0305-	91E1-2721(LH) 91E1-2703(RH) 91ER-20050	-#0263 -#0263 #0264-	91E6-2717	
R360LC-7	-		XJBN-00514 XKAH-01031	-#0741 #0742-	-		91ER-20050 91ER-20051 XKAY-00791* ³	-#0474 #0475- #0915-	-	
R360LC-7A	-		XKAH-01031		-		91ER-20051 XKAY-00791* ³	#0073-	-	
R380LC-9	XKAY-00974		XKAH-01031		XKAH-01026		XKAY-01445 XKAY-01723	-#0183 #0184-	XKAY-01069	
R450LC	-		-		-		91E7-2708		91E7-2709	
R450LC-3	-		-		-		91E7-2708 VZ50104490	-#1259 #1260-	91E7-2709	
R450LC-7	XKAH-01060	#0742-	ZGAR-00132		-		91ER-20050 91ER-20051 XKAY-00791* ³	-#0348 #0349- #0673-	-	
R450LC-7A	XKAH-01060	#0172-	ZGAR-00132		-		91ER-20051 XKAY-00791* ³	#0116-	-	
R480LC-9	XKAY-00553		-		-		XKAY-01445 XKAY-01723	-#0046 #0047-	XKAY-01069	
R500LC-7	XKAH-01060	#0157-	ZGAR-00132		-		91ER-20051 XKAY-00791* ³	#0102-	-	
R500LC-7A	XKAH-01060	#0085-	ZGAR-00132		-		91ER-20051 XKAY-00791* ³	#0058-	-	
R520LC-9	XKAY-00553		-		-		XKAY-01445 XKAY-01723	-#0041 #0042-	XKAY-01069	
R800LC-7A	-		XJBV-00178		-		91ER-20051		-	

*³Option (Australia, New Zealand)

Seal kit

Swing motor
 Swing motor reduction gear
 Travel motor
 Travel motor reduction gear
 RCV lever
 RCV pedal



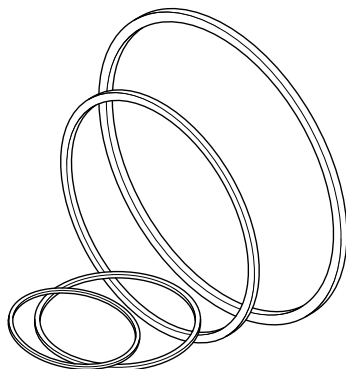
Seal kit (Hydraulic excavator)

Model	Swing motor		Travel motor		T/M R/Gear		RCV lever		RCV pedal	
	Part no.		Part no.		Part no.		Part no.		Part no.	
R55W-3	-		-		-		91ER-20050 #0222-		-	
R55W-7	XKAY-00414		XJDD-00682		-		91ER-20050 -#0034 91ER-20051 #0035-		-	
R55W-7A	XKAY-00414		XJDD-00682		-		91ER-20051		-	
R55W-9	XKAY-00414		XJDD-00682		-		XKAY-01069		-	
R95W-3	-		09830459		-		-		-	
R120W	-		-		-		91E1-2703		-	
R130W	-		-		-		91E1-2703		-	
R130W-3	-		-		-		91ER-20050		-	
R140W-7	XKAY-00325 #0057-		XJDD-00683		-		91ER-20050 -#0172 91ER-20051 #0173- XKAY-00791* ³ #0487-		-	
R140W-7A	XKAY-00325		XJDD-00683		-		91ER-20051		-	
R140W-9	XKAY-01117		XJDD-00684		-		XKAY-01431		-	
R170W-3	-		-		-		91E1-2703 -#0197 91ER-20050 #0198-		-	
R170W-7	XKAH-00616		XJDD-00683		-		91ER-20050 -#0243 91ER-20051 #0244- XKAY-00791* ³ #0903-		-	
R170W-7A	XKAH-00616		XJDD-00683		-		91ER-20051		-	
R170W-9	XKAY-01401		XJDD-01147		-		XKAY-01431		-	
R200W	91E1-2702		-		-		91E1-2703		-	
R200W-3	XKAH-00616 #0093-		09830460		-		91ER-20050		-	
R200W-7	XKAY-00553 #0115-		XJDD-00685		-		91ER-20050 -#0325 91ER-20051 #0326- XKAY-00791* ³ #0973-		-	
R200W-7A	XKAY-00553		XJDD-00685		-		91ER-20051		-	
R210W-9	XKAY-01517		XJDD-01122		-		XKAY-01431		-	

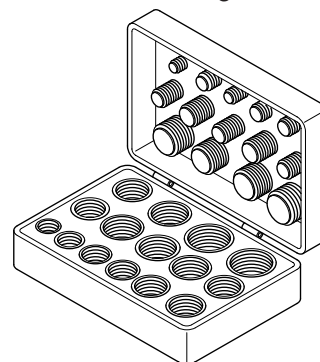
*Option (Australia, New Zealand)

Seal kit

Turning joint



Total O-ring kit



Seal kit (Hydraulic excavator)

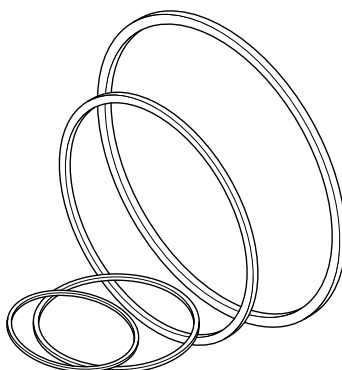
Part no.	Applicable model	Remark
31MJ-40111	R16-9	
31MK-40110	R27Z-9	
31MH-40110	R35Z-7, R35Z-7A, R35Z-9	
31M7-00280	R55W-3 (#0223-) R55W-7, R55W-7A, R55W-9	
31M8-51530	R55-7, R55-7A, R80-7, R80-7A	
31M9-51530	R55-9	
91E6-2710	R130LC, R130LC-3, R160LC-3, R160LC-9, R180LC-3, R180LC-9, R95W-3, R120W, R130W, R130W-3, R170W-3, R170W-9	
91E6-27110	R480LC-9, R520LC-9	
91E1-2705	R200LC, R210LC-3, R210LC-3LL, 33HDLL, R210LC-9, R250LC-3, R250LC-9, R280LC, R290LC, R290LC-3, R290LC-3H, R290LC-3LL/RB, 42HDLL, 39HDB, R320LC, R320LC-3, R360LC-3, R450LC, R450LC-3, R200W, R200W-3	
31N6-40950	R80-7, R110-7, R110-7A, R140LC-7, R140LC-7A, R140LC-9, R145CR-9, R160LC-7, R160LC-7A, R160LC-9, R180LC-7, R180LC-7A, R180LC-9, R210LC-7, R210LC-7A, R210LC-9, R210LC-7H, R210NLC-7, R210NLC-7A, R210NLC-9, R235LCR-9, R250LC-7, R250LC-7A, R250LC-9, R290LC-7, R290LC-7A, R290LC-7H, R290LC-9, R305LC-7, R320LC-7, R320LC-7A, R320LC-9, R360LC-7, R360LC-7A, R380LC-9	
31NB-40550	R450LC-7, R450LC-7A, R500LC-7, R500LC-7A	
31N4-40950	R140W-7(-#0140), R170W-7(-#0188), R200W-7(-#0291)	
31ND-40450	R800LC-7A	
31N4-40951	R140W-7(#0141-), R140W-7A, R170W-7(#0189-), R170W-7A, R200W-7(#0292-), R200W-7A	

Total O-ring kit (Hydraulic excavator)

Part no.	Applicable model	Remark
91E1-27300	3, 7 & 7A Series excavator	

Seal kit

Main pump
Main control valve
Brake pump
Pilot supply unit
Cushion valve



Seal kit (Wheel loader)

Model	Main pump	Main control valve	Brake pump	Pilot supply unit	Cushion valve
	Part no.	Part no.	Part no.	Part no.	Part no.
HL17	-	-	-	-	91L2-2708
HL25	-	-	91L1-2702	-	91L2-2708
HL35	705-90-01050	-	7111-023-0EV	-	-
HL720-3	7177D-023-00C	-	-	-	-
HL730-3 HL730TM-3	7177D-023-00C	-	-	-	-
HL730-7 HL730TM-7	ZUAH-00060	YUCE-00083	ZUAH-00175* ²	ZGAW-00003	-
HL730-7A	ZUAH-00060	YUCE-00083	ZTAW-00130* ² #0095 2S/KIT-00010* ² #0096-	ZGAW-00003	-
HL730TM-7A	ZUAH-00060	YUCE-00083	ZTAW-00130* ² #0074 2S/KIT-00010* ² #0075-	ZGAW-00003	-
HL730-9 HL730TM-9	ZGBP-00268	ZGAR-00616* ^{3,4} ZGAR-00635* ⁴	-	-	91L2-2708 #0004
HL740-3	B21120-0040K #0061 7177D-023-00C #0062-0847 8682-023-00N(FR) #0848- 8833-023-00O(RR) #0848-	-	8611-023-00V #0848-	-	-
HL740TM-3	7177D-023-00C #0250 8682-023-00N(FR) #0251- 8833-023-00O(RR) #0251-	-	8611-023-00V #0251-	-	-
HL740-7	ZUAH-00060	60264	ZUAH-00175* ²	ZGAW-00003	-
HL740-7A	ZUAH-00060	60264	ZTAW-00130* ² #0399 2S/KIT-00010* ² #0400-	ZGAW-00003	-
HL740TM-7	ZUAH-00060	60264	ZUAH-00175* ²	ZGAW-00003	-
HL740TM-7A	ZUAH-00060	YUCE-00083	ZTAW-00130* ² #0144 2S/KIT-00010* ² #0145-	ZGAW-00003	-
HL740-9 HL740TM-9	ZGBP-00114	ZGAR-00616* ^{3,4} ZGAR-00635* ⁴	-	-	91L2-2708 #0029
HL750	91L3-27200 7177D-023-00C* ¹ #0207-	309625 309626 309549	91L3-27210 #0206	91L1-2718 #1001-1256	91L2-2708
HL750TM	7177D-023-00C	309625 309626 309549	-	91L1-2718 #1021	91L1-2718
HL757-7 HL757TM-7	SKX5002	-	ZUAH-00175* ²	ZGAW-00003	91L2-2708
HL757-7A	SKX5002	-	ZUAH-00175* ² #0182 6204661M* ² #0183-0423 XKAG-00017* ² #0424-	ZGAW-00003	91L2-2708
HL757TM-7A	SKX5002	-	ZUAH-00175* ² #0022 6204661M* ² #0023-0053 XKAG-00017* ² #0054-	ZGAW-00003	91L2-2708
HL757-9 HL757TM-9	-	ZGAR-00616* ^{3,4} ZGAR-00635* ⁴	ZTAW-00130* ²	-	91L2-2708 #0016

*1 Including brake pump seal kit

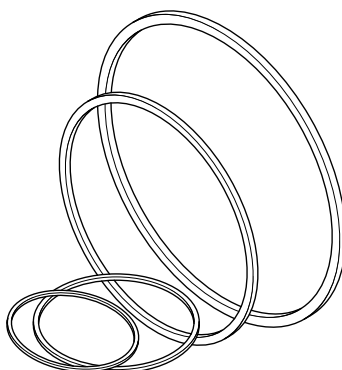
*2 Fan & brake pump

*3 2-Spool

*4 3-Spool

Seal kit

Main pump
Main control valve
Brake pump
Pilot supply unit
Cushion valve



Seal kit (Wheel loader)

Model	Main pump		Main control valve		Brake pump		Pilot supply unit		Cushion valve	
	Part no.		Part no.		Part no.		Part no.		Part no.	
HL760	7403-026-0EE SKR5002	-#1301 #1302-	309625 309626 309549		91L1-2702 SK2SPA/036007/1	-#1301 #1302-	91L1-2718		91L2-2708	
HL760-7	ZUAH-00060		-		ZUAH-00175* ²		ZGAW-00003		91L2-2708	
HL760-7A	ZUAH-00060		-		ZUAH-00175* ² 6204661M* ² XKAG-00017* ²	-#0487 #0488-1115 #1116-	ZGAW-00003		91L2-2708	-#1090
HL760-9	-		ZGAR-00657* ^{3,4} ZGAR-00658* ⁴		ZTAW-00130* ²		-		91L2-2708	-#0014
HL770	10064 KR 15501	-#0199 #0200-	309625 309524 309628		91L1-2702 7111-023-0EV	-#1000 #1001-	91L1-2718		-	
HL770-7	XJDF-00040		-		ZUAH-00175* ²		ZGAW-00003		-	
HL770-7A	XJDF-00040		-		ZUAH-00175* ² 6204661N* ² XKAG-00017	-#0419 #0420-1436 #1437-	ZGAW-00003		-	
HL770-9	-		ZGAR-00657* ^{3,4} ZGAR-00658* ⁴		6204661N* ²		-		-	
HL780-3	KR15001		309625 309524 309628		KR14002		91L1-2718	-#0115	-	
HL780-3A	XJDF-00040* ¹		ZGAR-00028 ZGAR-00029 ZGAR-00030		-		ZGAW-00003		-	
HL780-7A	XJDF-00040* ¹		-		-		ZGAW-00003		-	
HL780-9	-		ZGAR-00657* ^{3,4} ZGAR-00658* ^{3,4}		-		-		-	

*¹Including brake pump seal kit

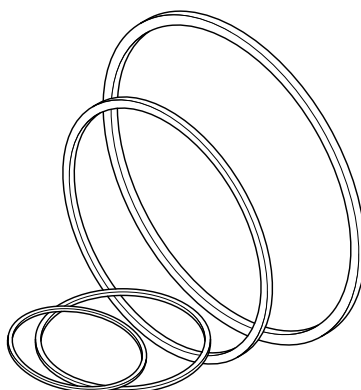
*²Fan & brake pump

*³2-Spool

*⁴3-Spool

Seal kit

HST pump
Main control valve
Travel motor



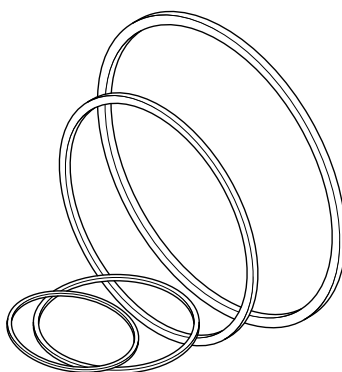
Seal kit (Skid steer loader)

Model	HST pump	Main control valve	Travel motor		
	Part no.	Part no.	Part no.		
HSL610	920171	30029-304	61237/61238		
HSL650-7	4510018	-	YUBS-00286		
HSL650-7A	YUBS-00409* ¹	-	-		
HSL810	4510018	-	151B0113		
HSL850-7	4510018	-	YUBS-00286		
HSL850-7A	YUBS-00409* ¹	-	-		

*Mechanical control

Seal kit

- Overload valve
- Orbitrol valve
- Priority valve
- Flow amplifier
- Cut-off valve
- Steering unit



Seal kit (Wheel loader)

Model	Overload valve	Orbitrol valve	Priority valve	Cut off valve	Steering unit
	Part no.	Part no.	Part no.	Part no.	Part no.
HL17	91L2-2707	91L2-2706	-	-	-
HL25	-	64426	-	-	-
HL35	-	64429	BA0023A	-	-
HL720-3	-	-	-	313077*1	150N4038
HL730-3	-	-	-	313077*1	150N4038
HL730-7	-	-	-	XKAL-00013 XKAL-00015 XKAL-00019 XKAL-00017 XKAL-00030 XKAL-00067 XKAL-00064 -#0305 #0306- -#0305 #0306-	YUBS-00102
HL730TM-7	-	-	-	XKAL-00013 XKAL-00015 XKAL-00019 XKAL-00017 XKAL-00030 XKAL-00067 XKAL-00064 -#0129 #0130- -#0129 #0130-	YUBS-00109
HL730-7A HL730TM-7A	-	-	-	XKAL-00013 XKAL-00015 XKAL-00019 XKAL-00030 XKAL-00064	YUBS-00102
HL730-9 HL730TM-9	-	-	-	-	YUBS-00102
HL740-3	-	-	152B4013	313077*1	150N4038
HL740TM-3	-	-	152B4013 RK099203 -#0250 #0251-	313077*1	150N4038
HL740-7	-	-	152B4013	XKAL-00013 XKAL-00015 XKAL-00019 XKAL-00017 XKAL-00030 XKAL-00067 XKAL-00064 -#1094 #1095- -#1094 #1095-	-
HL740-7A HL740TM-7A	-	-	152B4013 -#0392	XKAL-00013 XKAL-00015 XKAL-00019 XKAL-00030 XKAL-00064	-
HL740TM-7	-	-	152B4013	XKAL-00013 XKAL-00015 XKAL-00019 XKAL-00017 XKAL-00030 XKAL-00067 XKAL-00064 -#0387 #0388- -#0387 #0388-	-

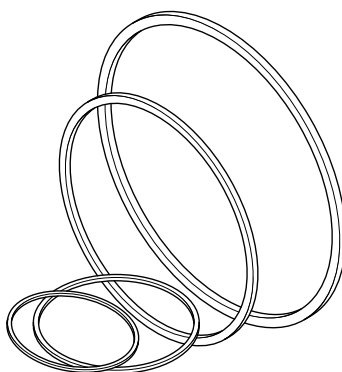
*1Brake valve

*2Flow amplifier

*3Steering valve (EHPS)

Seal kit

- Overload valve
- Orbitrol valve
- Priority valve
- Flow amplifier
- Cut-off valve
- Steering unit



Seal kit (Wheel loader)

Model	Overload valve		Orbitrol valve		Priority valve		Cut off valve		Steering unit	
	Part no.		Part no.		Part no.		Part no.		Part no.	
HL740-9 HL740TM-9	-		-		-		-		YUBS-00102	
HL750	BA0005A	-#1000	64426 64470 64533	-#0020 #0021-1000 #1001-	91L2-2705		-		-	
HL750TM	-		64533		91L2-2705		-		-	
HL757-7	-		-		YUBS-00105		XKAL-00013 XKAL-00015 XKAL-00019 XKAL-00017 XKAL-00030 XKAL-00067 XKAL-00064	-#0777 #0778- -#0777 #0778-	YUBS-00102 YUBS-00101* ³	
HL757TM-7	-		-		YUBS-00105		XKAL-00013 XKAL-00015 XKAL-00019 XKAL-00017 XKAL-00030 XKAL-00067 XKAL-00064	-#0074 #0075- -#0074 #0075-	YUBS-00102 YUBS-00101* ³	
HL757-7A HL757TM-7A	-		-		-		XKAL-00013 XKAL-00015 XKAL-00019 XKAL-00030 XKAL-00064		YUBS-00102 YUBS-00101* ³	
HL757-9 HL757TM-9	-		-		-		-		YUBS-00102 YUBS-00101* ³	
HL760	BA0005A 91L2-2707	-#1000 #1001-	64426 64470 91L2-2706 BA0273A	-#0046 #0047-1000 #1001-1020 #1021-	RK0069A 91L2-2705	-#1000 #1001-	-		-	
HL760-7	-		-		YUBS-00105		XKAL-00013 XKAL-00015 XKAL-00019 XKAL-00017 XKAL-00030 XKAL-00067 XKAL-00064	-#0817 #0818- -#0817 #0818-	YUBS-00102 YUBS-00101* ³	
HL760-7A	-		-		-		XKAL-00013 XKAL-00015 XKAL-00019 XKAL-00030 XKAL-00064		YUBS-00102 YUBS-00101* ³	
HL760-9	-		-		-		-		YUBS-00102 YUBS-00101* ³	
HL770	-		-		150F0278* ² 91L1-27220* ²	-#1000 #1001-	-		150-4267 91L1-27210 -#1000 #1001-	
HL770-7	-		-		YUBS-00045* ²		XKAL-00013 XKAL-00015 XKAL-00019 XKAL-00017 XKAL-00030 XKAL-00067 XKAL-00064	-#0649 #0650- -#0649 #0650-	YUBS-00019	

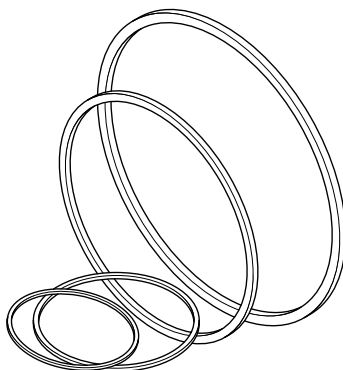
*Brake valve

*²Flow amplifier

*³Steering valve (EHPS)

Seal kit

Overload valve
 Orbitrol valve
 Priority valve
 Flow amplifier
 Cut-off valve
 Steering unit



Seal kit (Wheel loader)

Model	Overload valve	Orbitrol valve	Priority valve	Cut off valve	Steering unit
	Part no.	Part no.	Part no.	Part no.	Part no.
HL770-7A	-	-	YUBS-00045* ²	XKAL-00013 XKAL-00015 XKAL-00019 XKAL-00030 XKAL-00064	YUBS-00019
HL770-9	-	-	-	-	YUBS-00019 YUBS-00045* ²
HL780-3	-	-	150F0278* ²	-	150N4038
HL780-3A	-	-	YUBS-00045* ²	-	YUBS-00019
HL780-7A	-	-	YUBS-00045* ²	XKAL-00013 XKAL-00015 XKAL-00019 XKAL-00030 XKAL-00064	YUBS-00019
HL780-9	-	-	-	-	YUBS-00019 YUBS-00045* ²

*Brake valve

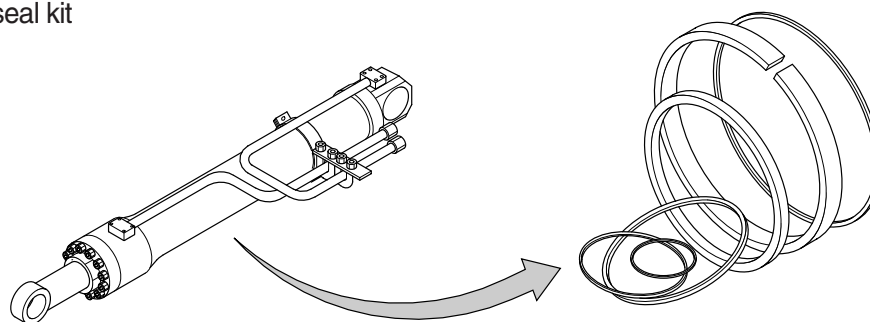
*Flow amplifier

**Steering valve (EHPS)

Total O-ring kit (Wheel loader)

Part no.	Applicable model	Remark
91L1-27300	All wheel loaders	

Cylinder assy & seal kit

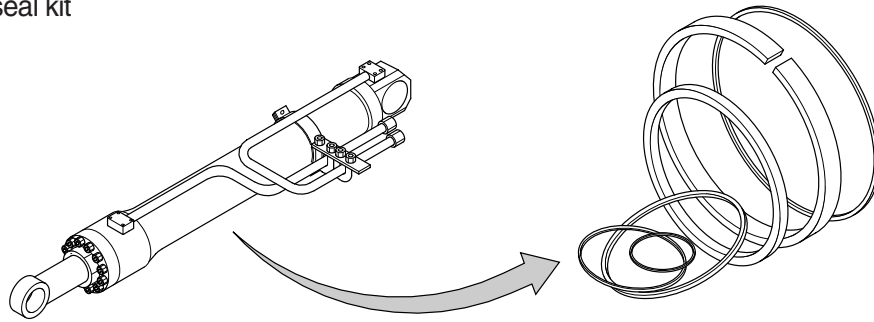


Hydraulic excavator

Model	Parts name	Assy p/no	Seal kit p/no	Without pipe sub	Applicable serial no.
R16-9	BOOM	31MJ-50113	XKCC-00397	-	#0001-
	ARM	31MJ-50123	XKCC-00528	-	#0001-
	BUCKET	31MJ-50134	XKCC-00436	-	#0001-
	D/BLADE	31MJ-40212	XKCC-00458	-	#0001-
	BOOM SWING	31MJ-10122	XKCC-00529	-	#0001-
R27Z-9	BOOM	31MK-50113	XKCD-01373	-	#0001-
	ARM	31MK-50123	XKCD-01356	-	#0001-
	BUCKET	31MK-50134	XKCD-01389	-	#0001-
	D/BLADE	31MK-40043	XKCD-01402	-	#0001-
	BOOM SWING	31MK-10122	XKCD-01397	-	#0001-0005
31MK-10123		#0006-			
R35Z-7	BOOM	31MH-50110	31Y1-28330	-	#0001-
	ARM	31MH-50120	31Y1-28340	-	#0001-
	BUCKET	31MH-50130	31Y1-28350	-	#0001-
	D/BLADE	31MH-40041	31Y1-28370	-	#0001-
R35Z-7A	BOOM	31MH-50110	31Y1-28330	-	#0001-
	ARM	31MH-50120	31Y1-28340	-	#0001-
	BUCKET	31MH-50130	31Y1-28350	-	#0001-
	D/BLADE	31MH-40041	31Y1-28370	-	#0001-
R35Z-9	BOOM	31MH-50110YL	31Y1-28330	-	#0001-
	ARM	31MH-50120YL	31Y1-28340	-	#0001-
	BUCKET	31MH-50130YL	31Y1-28350	-	#0001-
	D/BLADE	31MH-40041GG	31Y1-28370	-	#0001-
	BOOM SWING	31MH-10120GG	31Y1-28360	-	#0001-
R80-7	BOOM	31N1-51111	31Y1-25440	31Y1-25270	#0001-
	ARM* ¹	31N1-51121	31Y1-25610	31Y1-25450	#0007-
	BUCKET	31N1-51131	31Y1-25780	31Y1-25620	#0001-
	D/BLADE	31N1-40021	31Y1-25920	31Y1-25790	#0001-
R80-7A	BOOM	31N1-51111	31Y1-25440	31Y1-25270	#0001-
	BOOM* ¹	31N1-51240	31Y1-28600	31Y1-25270	#0001-
	ARM	31N1-51121	31Y1-25610	31Y1-25450	#0001-
	ARM* ¹	31N1-51250	31Y1-28610	31Y1-25450	#0001-
	BUCKET	31N1-51131	31Y1-25780	31Y1-25620	#0033-
	D/BLADE	31N1-40021	31Y1-25920	31Y1-25790	#0001-

*¹Safety lock

Cylinder assy & seal kit

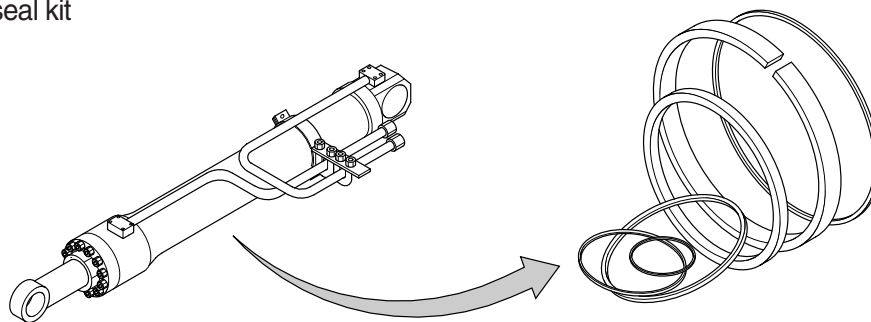


Hydraulic excavator

Model	Parts name	Assy p/no	Seal kit p/no	Without pipe sub	Applicable serial no.	
R110-7	BOOM(LH)	31N3-50120	31Y1-23390	31Y1-23220	#0001-	
	BOOM(RH)	31N3-50110			31Y1-23730	#0001-
	BOOM(LH)* ¹	31N3-52120	31Y1-23190			31Y1-23020
	BOOM(RH)* ¹	31N3-52110			31Y1-23022	#0309-
	ARM	31N3-50130	31Y1-23700	31Y1-23020	#0001-0253	
		31N3-50132		31Y1-23022	#0254-	
	ARM* ¹	31N3-52130	31Y1-23700	31Y1-23020	#0001-0253	
		31N3-52132		31Y1-23022	#0254-	
	BUCKET	31N3-60111	31Y1-23550	31Y1-23400	#0001-	
	D/BLADE(LH)	31N3-70010	31Y1-25960	31Y1-25930	#0001-	
D/BLADE(RH)	31N3-70020	#0001-				
R110-7A	BOOM(LH)	31N3-50120	31Y1-23390	31Y1-23220	#0001-	
	BOOM(RH)	31N3-50110			31Y1-23730	#0001-
	BOOM(LH)* ¹	31N3-52120	31Y1-23190			#0001-
	BOOM(RH)* ¹	31N3-52110			31Y1-23022	#0001-
	ARM	31N3-50132	31Y1-23700	31Y1-23022	#0001-	
	ARM* ¹	31N3-52132			#0001-	
	BUCKET	31N3-60111	31Y1-23550	31Y1-23400	#0001-	
	D/BLADE(LH)	31N3-70110	31Y1-25960	31Y1-25930	#0001-	
	D/BLADE(RH)	31N3-70120		31Y1-25940	#0001-	
R130LC	BOOM(LH)	31E6-0007	91E6-2711	-	#0001-0431, #0514	
	BOOM(RH)	31E6-0006		31Y1-03560	-	#0432-0513, #0515-
	BOOM(LH)	31E6-50210	-		#0432-0513, #0515-	
	BOOM(RH)	31E6-50220	-		#0432-0513, #0515-	
	ARM	31E6-0008	91E6-2712		-	#0001-0431, #0514
		31E6-50230	31Y1-03710	-	#0432-0513, #0515-	
	BUCKET	31E6-0009	91E6-2713	-	#0001-0431, #0514	
		31E6-50240	31Y1-03860	-	#0432-0513, #0515-	

*¹Safety lock

Cylinder assy & seal kit

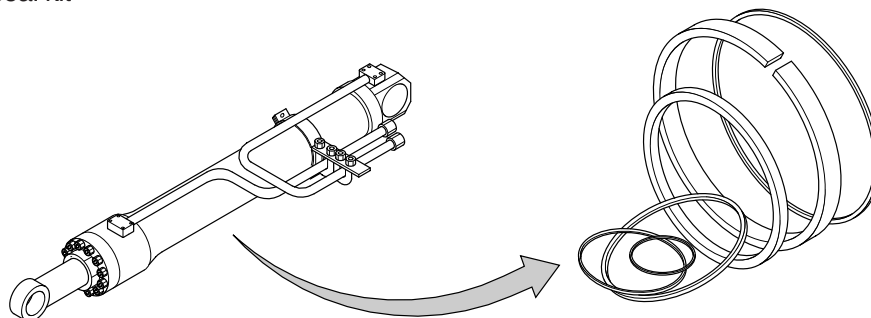


Hydraulic excavator

Model	Parts name	Assy p/no	Seal kit p/no	Without pipe sub	Applicable serial no.	
R130LC-3	BOOM(LH)	31E6-50210	31Y1-03560	-	#0001-0511, #0524	
	BOOM(RH)	31E6-50220			#0001-0519, #0521, #0525-0528	
	BOOM(LH)	31E6-50120	31Y1-03561	31E6-55010	#0512-0523, #0525-1312	
	BOOM(RH)	31E6-50110			#0520, #0522-0524, #0529-1312	
	BOOM(LH)	31E6-50121	31Y1-03562	31E6-55011	#1313-	
	BOOM(RH)	31E6-50111				
	BOOM(LH)* ¹	31E6-51510	31Y1-03561	31E6-55010	#0001-1312	
	BOOM(RH)* ¹	31E6-51520				
	BOOM(LH)* ¹	31E6-51511	31Y1-03562	31E6-55011	#1313-1616	
	BOOM(RH)* ¹	31E6-51521				
	BOOM(LH)* ¹	31E6-52120	31Y1-15890	31E6-55011	#1617-	
	BOOM(RH)* ¹	31E6-52110				
	2PCS BOOM(LH)	31EA-50110	31Y1-03562	35EA-55040	#1749-	
	2PCS BOOM(RH)	35EA-50120				
	2PCS BOOM(LH)* ¹	35EA-52110	31Y1-15990	35EA-55040	#1749-	
	2PCS BOOM(RH)* ¹	35EA-52120				
	ARM		31E6-50230	31Y1-03710	-	#0001-0521, #0523-0526, #0528
			31E6-50130	31Y1-03711	31E6-55030	#0522, #0527, #0529-1312
			31E6-50131	31Y1-03712	31E6-55031	#1313-
	ARM* ¹		31E6-51530	31Y1-03711	31E6-55030	#0001-1312
			31E6-51531	31Y1-03712	31E6-55031	#1313-1616
			31E6-52130	31Y1-15890	31E6-55031	#1617-
	BUCKET		31E6-50240	31Y1-03860	-	#0001-0539, #0542-0546, #0553
			31E6-50241	31Y1-03861		#0540-0541, #0547-0552, #0554-0777, #0779-0783, #0789-0797, #0807-0810, #0813-0814, #0816, #0842
			31E6-60111	31Y1-03862		31E6-55031
		D/BLADE(LH)	31E6-70020	31Y1-04032	31E6-75020	#0959-
		D/BLADE(RH)	31E6-70010	31Y1-04031	31E6-75010	#0937, #0938, #0959-
		Q/COUPLING	06R0150	06R0150-19	-	#1313-
	2PCS ADJUST	35EA-52150	31Y1-12480	35EA-50150	#1749-	

*¹Safety lock

Cylinder assy & seal kit

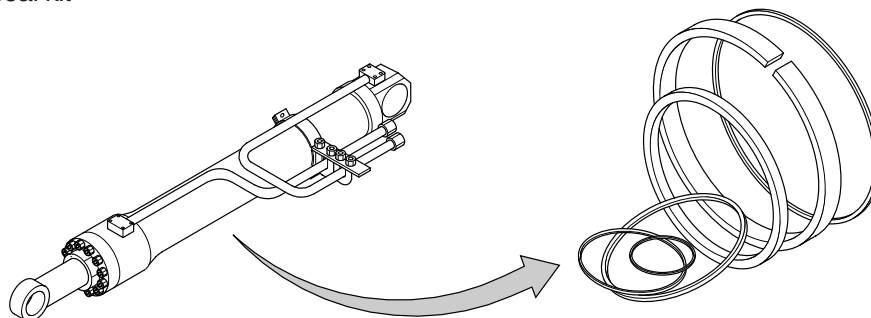


Hydraulic excavator

Model	Parts name	Assy p/no	Seal kit p/no	Without pipe sub	Applicable serial no.
R140LC-7	BOOM(LH)	31N4-50110	31Y1-18170	31Y1-18120	#0001-
	BOOM(RH)	31N4-50120			#0001-
	BOOM(LH)*1	31N4-52120	31Y1-18580	31Y1-18120	#0001-
	BOOM(RH)*1	31N4-52110			#0001-
	2PCS BOOM(LH)	31N4-50910	31Y1-21200	31Y1-21140	#0234-
	2PCS BOOM(RH)	31N4-50920			#0234-
	2PCS BOOM(LH)*1	31N4-52910			#0234-
	2PCS BOOM(RH)*1	31N4-52920			#0234-
	ARM	31N4-50130 31N4-50131 31N4-50132 31N4-50133	31Y1-18110	31Y1-18080	#0001-1249
				31Y1-18081	#1250-1269 #1270-3049
				31Y1-18082	#3050-
				31Y1-18080	#1001-1249
	ARM*1	31N4-52130 31N4-52131 31N4-52132	31Y1-18590	31Y1-18080	#1250-1269
				31Y1-18081	#1270-
				31Y1-18081	#1270-
	BUCKET	31N4-60110	31Y1-18210	31Y1-18180	#0001-
	D/BLADE(LH)	31E6-70020	31Y1-04031	31E6-75020	#0001-1370
	D/BLADE(RH)	31E6-70010		31E6-75010	
	D/BLADE(LH)	31N4-70010	31Y1-04032	31E6-75020	#1371-
	D/BLADE(RH)	31N4-70020		31E6-75010	
R140LC-7A	BOOM(LH)	31N4-50110	31Y1-18170	31Y1-18120	#0001-
	BOOM(RH)	31N4-50120			#0001-
	BOOM(LH)*1	31N4-52120	31Y1-18580	31Y1-18120	#0001-
	BOOM(RH)*1	31N4-52110			#0001-
	2PCS BOOM(LH)	31N4-50910	31Y1-21200	31Y1-21140	#0001-
	2PCS BOOM(RH)	31N4-50920			#0001-
	2PCS BOOM(LH)*1	31N4-52910			#0001-
	2PCS BOOM(RH)*1	31N4-52920			#0001-
	ARM	31N4-50132 31N4-50133	31Y1-18110	31Y1-18081	#0001-0295
				31Y1-18082	#0296-
	ARM*1	31N4-52132	-	31Y1-18081	#0001-
	BUCKET	31N4-60110	31Y1-18210	31Y1-18180	#0001-
	D/BLADE(LH)	31N4-70010	31Y1-04032	31E6-75020	#0001-
	D/BLADE(RH)	31N4-70020		31E6-75010	#0001-

*1 Safety lock

Cylinder assy & seal kit

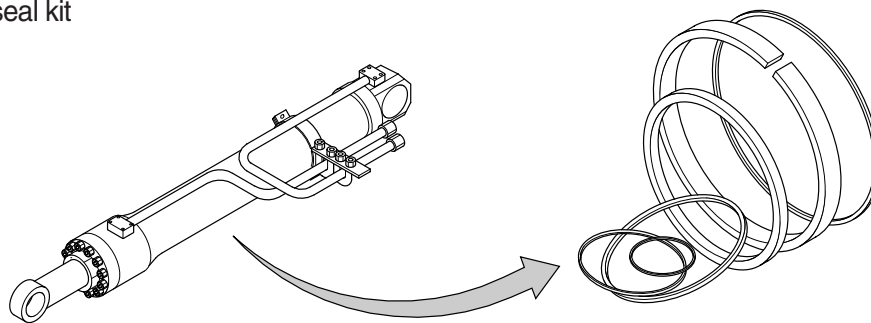


Hydraulic excavator

Model	Parts name	Assy p/no	Seal kit p/no	Without pipe sub	Applicable serial no.	
R140LC-9	BOOM(LH)	31Q4-50110	31Y1-31320	31Y1-31160	#0001-0079	
	BOOM(RH)	31Q4-50120		31Y1-31161	#0080-	
	BOOM(LH)	31Q4-50111			31Y1-31320	31Y1-38081
	BOOM(RH)	31Q4-50121		#0080-		
	2PCS BOOM(LH)	31Q4-50910	31Y1-32150			31Y1-31160
	2PCS BOOM(RH)	31Q4-50920		31Y1-31161		#0080-
	2PCS BOOM(LH)	31Q4-50911			31Y1-32150	31Y1-38081
	2PCS BOOM(RH)	31Q4-50921		#0080-		
	BOOM(LH)* ¹	31Q4-52110	31Y1-31150			31Y1-30971
	BOOM(RH)* ¹	31Q4-52120		31Y1-30972		#0014-0079
	BOOM(LH)* ¹	31Q4-52111			31Y1-30971	#0001-0013
	BOOM(RH)* ¹	31Q4-52121		31Y1-30972		#0014-0079
	2PCS BOOM(LH)* ¹	31Q4-52910	31Y1-32160		31Y1-31331	#0001-0079
	2PCS BOOM(RH)* ¹	31Q4-52920		31Y1-31332	#0080-	
	2PCS BOOM(LH)* ¹	31Q4-52911			31Y1-31490	31Y1-31331
	2PCS BOOM(RH)* ¹	31Q4-52921		31Y1-31490		31Y1-31332
	ARM	31Q4-50130	31Y1-31150		31Y1-30971	#0001-0013
		31Q4-50131		31Y1-30972	#0014-0079	
		31Q4-50132		#0080-		
	ARM* ¹	31Q4-52130	31Y1-32160	31Y1-30971	#0001-0013	
		31Q4-52131		31Y1-30972	#0014-0079	
		31Q4-52132		#0080-		
	BUCKET	31Q4-60111	31Y1-31490	31Y1-31331	#0001-0079	
		31Q4-60112		31Y1-31332	#0080-	
D/BLADE(LH)	31Q4-70010	XKCC-00247	-	#0001-		
D/BLADE(RH)	31Q4-70020					
ADJUST	31Q4-52940	31Y1-16170	31Y1-38520	#0051-0079		
	31Q4-52941		#0080-			

*¹Safety lock

Cylinder assy & seal kit

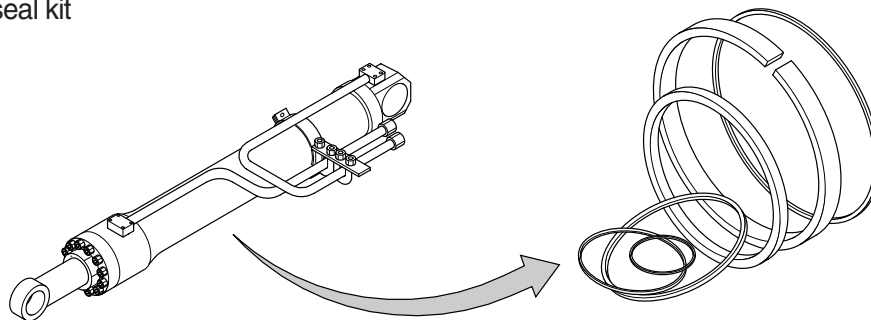


Hydraulic excavator

Model	Parts name	Assy p/no	Seal kit p/no	Without pipe sub	Applicable serial no.	
R145CR-9	BOOM(LH)	31Q4-54010	31Y1-31320	31Y1-34230	#0001-0051	
	BOOM(RH)	31Q4-54020		31Y1-34231	#0052-	
	BOOM(LH)	31Q4-54011			31Y1-32150	#0001-0051
	BOOM(RH)	31Q4-54021		31Y1-34231		#0052-
	BOOM(LH)* ¹	31Q4-54210	31Y1-31150			31Y1-34230
	BOOM(RH)* ¹	31Q4-54220		31Y1-30972		#0052-
	BOOM(LH)* ¹	31Q4-54211			31Y1-32160	31Y1-30972
	BOOM(RH)* ¹	31Q4-54221		31Y1-31490		#0052-
	ARM	31Q4-50131	31Y1-31490		31Y1-31331	#0001-0051
		31Q4-50132		31Y1-31332	#0052-	
	ARM* ¹	31Q4-50131	31Y1-31490	-	#0001-	
		31Q4-50132		-	#0001-	
	BUCKET	31Q4-60111	31Y1-31490	-	#0001-	
		31Q4-60112		-	#0001-	
	D/BLADE(LH)	31Q4-70010	XKCC-00247	-	#0001-	
D/BLADE(RH)	31Q4-70020	-		#0001-		
R160LC-3	BOOM(LH)	31EG-50020	31Y1-11290	31EG-55010	#0001-0012	
	BOOM(RH)	31EG-50010		31RG-55011	#0013-	
	BOOM(LH)	31EG-50021			31Y1-16000	31RG-55011
	BOOM(RH)	31EG-50011		31Y1-04361		31EK-55030
	BOOM(LH)* ¹	31EG-52120	31Y1-04362			31EK-55031
	BOOM(RH)* ¹	31EG-52110		31EK-55032		#0534-
	ARM	31EK-50130	31Y1-15900	31EK-55031	#0165-	
		31EK-50131		31Y1-11450	31EG-65010	#0001-
		31EK-50132			31Y1-13010	31Y1-12830
	ARM* ¹	31EG-52130	31Y1-13010	31Y1-12830		#0125-
	BUCKET	31EG-60010	31Y1-11450	31EG-65010	#0001-	
	D/BLADE(LH)	32EG-40010	31Y1-13010	31Y1-12830	#0125-	
	D/BLADE(RH)	32EG-40020		31Y1-12830	#0125-	

*¹Safety lock

Cylinder assy & seal kit

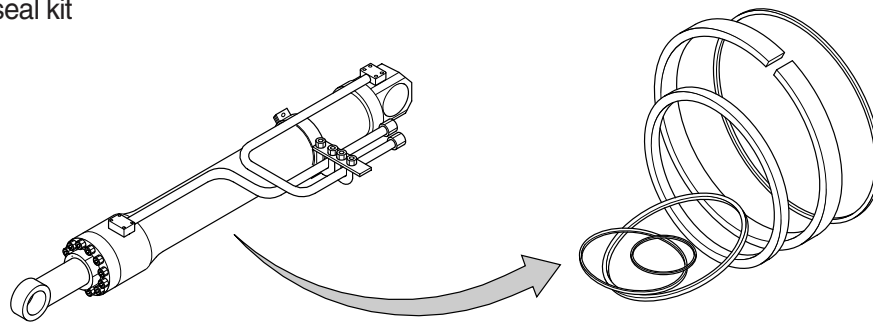


Hydraulic excavator

Model	Parts name	Assy p/no	Seal kit p/no	Without pipe sub	Applicable serial no.
R160LC-7	BOOM(LH)	31N5-50110	31Y1-20430	31Y1-20380	#0001-
	BOOM(RH)	31N5-50120			
	BOOM(LH)* ¹	31N5-52110	31Y1-20190	31Y1-20380	#0001-
	BOOM(RH)* ¹	31N5-52120			
	2PCS BOOM(LH)	31N5-52910	31Y1-20430	31Y1-24200	#0001-0009
	2PCS BOOM(RH)	31N5-52920			
	2PCS BOOM(LH)	31N5-52911	31Y1-20430	31Y1-24200	#0010-
	2PCS BOOM(RH)	31N5-52921			
	2PCS BOOM(LH)* ¹	31N5-52110	31Y1-20190	31Y1-24200	#0001-0009
	2PCS BOOM(RH)* ¹	31N5-52120			
	2PCS BOOM(LH)* ¹	31N5-53911	31Y1-20190	31Y1-24200	#0010-
	2PCS BOOM(RH)* ¹	31N5-53921			
	ARM	31N5-50131	31Y1-20450	31Y1-20200	#0001-
	ARM* ¹	31N5-52131	31Y1-20270		
	BUCKET	31N5-60110	31Y1-20340	31Y1-20280	#0001-
	2PCS ADJUST* ¹	31N5-52940	31Y1-24090	31Y1-23980	#0010-
	D/BLADE(LH)	31N5-40110	31Y1-13010	31Y1-24280	#0030-
D/BLADE(RH)	31N5-40120				
R160LC-7A	BOOM(LH)	31N5-50110	31Y1-20430	31Y1-20380	#0001-
	BOOM(RH)	31N5-50120			#0001-
	BOOM(LH)* ¹	31N5-52110	31Y1-20190	31Y1-20380	#0001-
	BOOM(RH)* ¹	31N5-52120			#0001-
	2PCS BOOM(LH)	31N5-52911	31Y1-20430	31Y1-24200	#0001-
	2PCS BOOM(RH)	31N5-52921			#0001-
	2PCS BOOM(LH)* ¹	31N5-53911	31Y1-20190	31Y1-24200	#0001-
	2PCS BOOM(RH)* ¹	31N5-53921			#0001-
	ARM	31N5-50131	31Y1-20450	31Y1-20200	#0001-
	ARM* ¹	31N5-52131	31Y1-20270		#0001-
	BUCKET	31N5-60110	31Y1-20340	31Y1-20280	#0001-
	2PCS ADJUST* ¹	31N5-52940	31Y1-24090	31Y1-23980	#0001-
	D/BLADE(LH)	31N5-40110	31Y1-13010	31Y1-24280	#0001-
	D/BLADE(RH)	31N5-40120			#0001-
R160LC-9	BOOM(LH)	31Q5-50111	31Y1-34790	31Y1-34611	#0001-0004
	BOOM(RH)	31Q5-50121			
	BOOM(LH)	31Q5-50112			#0005-
	BOOM(RH)	31Q5-50122			

*¹Safety lock

Cylinder assy & seal kit

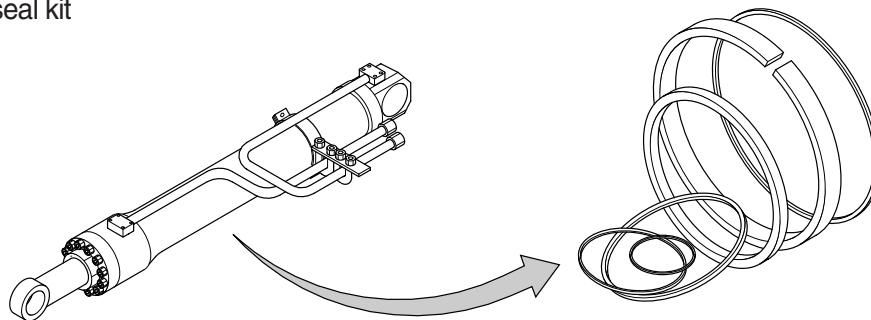


Hydraulic excavator

Model	Parts name	Assy p/no	Seal kit p/no	Without pipe sub	Applicable serial no.
R160LC-9	BOOM(LH)* ¹	31Q5-52111	31Y1-35060	31Y1-34611	#0001-0004
	BOOM(RH)* ¹	31Q5-52121			#0005-
	BOOM(LH)* ¹	31Q5-52112			
	BOOM(RH)* ¹	31Q5-52122			
	2PCS BOOM(LH)	31Q5-50910	31Y1-38470	31Y1-38510	#0001-
	2PCS BOOM(RH)	31Q5-50920			
	2PCS BOOM(LH)* ¹	31Q5-52910	31Y1-39390	31Y1-38510	#0001-
	2PCS BOOM(RH)* ¹	31Q5-52920			
	ARM	31Q5-50131	31Y1-34600	31Y1-34411	#0001-0004
		31Q5-50132			#0005-
	ARM* ¹	31Q5-52132	31Y1-35070	31Y1-34412	#0001-
	BUCKET	31Q5-60111	31Y1-35030	31Y1-34801	#0001-
	D/BLADE(LH)	31Q5-70010	XKCC-00264	-	#0001-
	D/BLADE(RH)	31Q5-70020			
R180LC-3	BOOM(LH)	31EK-50120	31Y1-04191	31EK-55010	#0001-0413
	BOOM(RH)	31EK-50110			
	BOOM(LH)	31EK-50121	31Y1-04192	31EK-55011	#0414-
	BOOM(RH)	31EK-50111			
	BOOM(LH)* ¹	31EK-51521	31Y1-04912	31EK-55041	#0001-0507
	BOOM(RH)* ¹	31EK-51511			
	BOOM(LH)* ¹	31EK-52110	31Y1-16010	31EK-55042	#0508-
	BOOM(RH)* ¹	31EK-52120			
	2PCS BOOM(LH)	31EK-50911	31Y1-04911	31EK-55041	#0001-0413
	2PCS BOOM(RH)	31EK-50901			
	2PCS BOOM(LH)	31EK-50912	31Y1-04912	31EK-55042	#0414-
	2PCS BOOM(RH)	31EK-50902			
	2PCS BOOM(LH)* ¹	31EK-51542	31Y1-04912	31EK-55041	#0001-0507
	2PCS BOOM(RH)* ¹	31EK-51552			
	2PCS BOOM(LH)* ¹	31EK-52910	31Y1-16020	31EK-55042	#0508-
	2PCS BOOM(RH)* ¹	31EK-52900			
	ARM	31EK-50130	31Y1-04361	31EK-55030	#0001-0413
		31EK-50131	31Y1-04362	31EK-55031	#0414-0729
		31EK-50132	31Y1-04362	31EK-55032	#0730-
	ARM* ¹	31EK-51531	31Y1-04362	31EK-55030	#0001-0507
31EK-52130		31Y1-15910	31EK-55031	#0508	

*¹Safety lock

Cylinder assy & seal kit

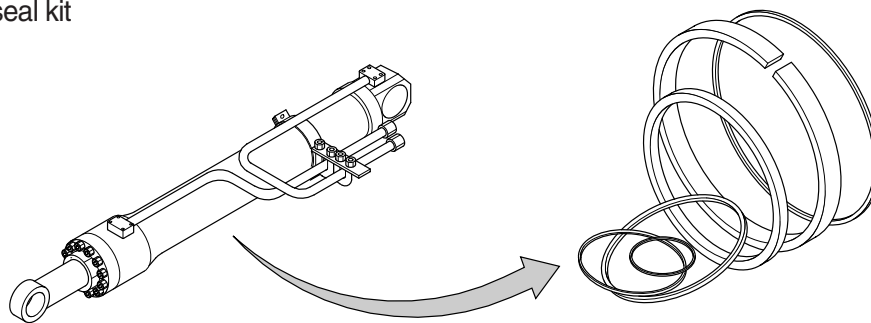


Hydraulic excavator

Model	Parts name	Assy p/no	Seal kit p/no	Without pipe sub	Applicable serial no.
R180LC-3	2PCS ARM	31EK-50921	31Y1-04361	31EK-55051	#0001-0413
		31EK-50922	31Y1-04362	31EK-55052	#0414-0729
		31EK-50923	31Y1-04362	31EK-55032	#0730-
	2PCS ARM* ¹	31EK-50942 31EK-52920	31Y1-15920	31EK-55031	#0001-0507 #0508-0729
	BUCKET	31EK-60001 31EK-60110	31Y1-04461 31Y1-04462	31EK-65010	#0001-0100 #0101-
	2PCS ADJUST(LH)	31EK-50932	31Y1-05091	31Y1-16130	#0001-0413
	2PCS ADJUST(RH)	31EK-50933	31Y1-05092		#0414-
	2PCS ADJUST(LH)* ¹	31EK-52940	31Y1-16080	31Y1-16130	#0579-
	2PCS ADJUST(RH)* ¹	31EK-52930			
	D/BLADE(LH)	32EG-40010	31Y1-13010	31Y1-12830	#0422-
D/BLADE(RH)	32EG-40020				
R180LC-7	BOOM(LH)	31N5-50110	31Y1-20430	31Y1-20380	#0001-
	BOOM(RH)	31N5-50120			
	BOOM(LH)* ¹	31N5-52110	31Y1-20190	31Y1-20380	#0001-
	BOOM(RH)* ¹	31N5-52120			
	2PCS BOOM(LH)	31N5-52910	31Y1-20430	31Y1-24200	#0001-
	2PCS BOOM(RH)	31N5-52920			#0008-
	2PCS BOOM(LH)	31N5-52911			
	2PCS BOOM(RH)	31N5-52921			
	2PCS BOOM(LH)* ¹	31N5-53910	31Y1-20430	31Y1-24200	#0001-0007
	2PCS BOOM(RH)* ¹	31N5-53920	31Y1-20190	31Y1-20380	#0008-
	2PCS BOOM(LH)* ¹	31N5-53911			
	2PCS BOOM(RH)* ¹	31N5-53921	31Y1-20430	31Y1-24200	#0008-
	2PCS BOOM(LH)* ¹	31N5-53911			
	2PCS BOOM(RH)* ¹	31N5-53921	31Y1-20450	31Y1-20200	#0001-
	ARM	31N5-50131			
	ARM* ¹	31N5-52131	31Y1-20270		
	BUCKET	31N5-60110	31Y1-20340	31Y1-20280	#0001-
	2PCS ADJUST* ¹	31N5-52940	31Y1-24090	31Y1-23980	#0008-
	D/BLADE(LH)	31N5-40110	31Y1-13010	31Y1-24280	#0040-
	D/BLADE(RH)	31N5-40120			

*¹Safety lock

Cylinder assy & seal kit

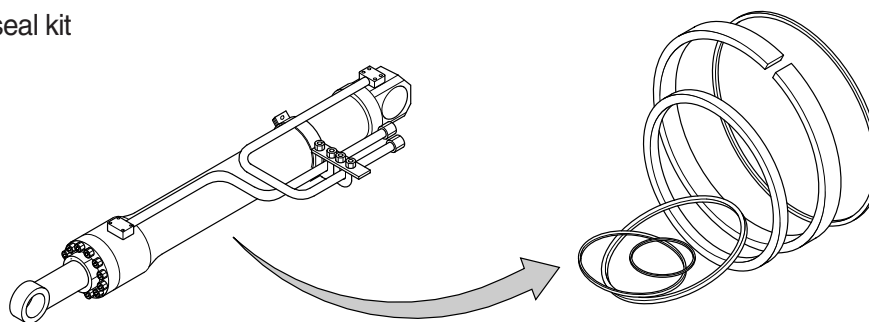


Hydraulic excavator

Model	Parts name	Assy p/no	Seal kit p/no	Without pipe sub	Applicable serial no.	
R180LC-7A	BOOM(LH)	31N5-50110	31Y1-20430	31Y1-20380	#0001-	
	BOOM(RH)	31N5-50120			#0001-	
	BOOM(LH)* ¹	31N5-52110	31Y1-20190	31Y1-20380	#0001-	
	BOOM(RH)* ¹	31N5-52120			#0001-	
	2PCS BOOM(LH)	31N5-52911	31Y1-20430	31Y1-24200	#0001-	
	2PCS BOOM(RH)	31N5-52921			#0001-	
	2PCS BOOM(LH)* ¹	31N5-53911	31Y1-20190		#0001-	
	2PCS BOOM(RH)* ¹	31N5-53921			#0001-	
R180LC-7A	ARM	31N5-50131	31Y1-20450		31Y1-20200	#0001-
	ARM* ¹	31N5-52131	31Y1-20270			#0001-
	BUCKET	31N5-60110	31Y1-20340	31Y1-20280	#0001-	
	2PCS BOOM(LH)* ¹	31N5-52940	31Y1-24090	31Y1-23980	#0001-	
	D/BLADE(LH)	31N5-40110	31Y1-13010	31Y1-24280	#0001-	
	D/BLADE(RH)	31N5-40120			#0001-	
R180LC-9	BOOM(LH)	31Q5-50112	31Y1-34790	31Y1-34611	#0001-	
	BOOM(RH)	31Q5-50122			#0001-	
	BOOM(LH)* ¹	31Q5-52112	31Y1-35060	31Y1-34611	#0001-	
	BOOM(RH)* ¹	31Q5-52122			#0001-	
	2PCS BOOM(LH)	31Q5-50910	31Y1-38470	31Y1-38510	#0001-	
	2PCS BOOM(RH)	31Q5-50920			#0001-	
	2PCS BOOM(LH)* ¹	31Q5-52910	31Y1-39390	31Y1-38510	#0001-	
	2PCS BOOM(RH)* ¹	31Q5-52920			#0001-	
	ARM	31Q5-50132	31Y1-34600	31Y1-34412	#0001-	
	ARM* ¹	31Q5-52132		31Y1-35070	#0001-	
	BUCKET	31Q5-60111	31Y1-35030	31Y1-34801	#0001-	
	D/BLADE(LH)	31Q5-70010	XKCC-00264	-	#0001-	
	D/BLADE(RH)	31Q5-70020			#0001-	
	R200LC	BOOM(LH)	E131-0295	91E1-2706	-	#0001-1884, #1929-2221
BOOM(RH)		E131-0292	#0001-			
BOOM(LH)		31E1-50210	31Y1-05260	31E1-55010	#1885-1928, #2222-	
BOOM(RH)		31E1-50220			#0001-	
BOOM(LH)* ¹		31E1-51510			#0001-	
BOOM(RH)* ¹		31E1-51520			#0001-	

*¹Safety lock

Cylinder assy & seal kit

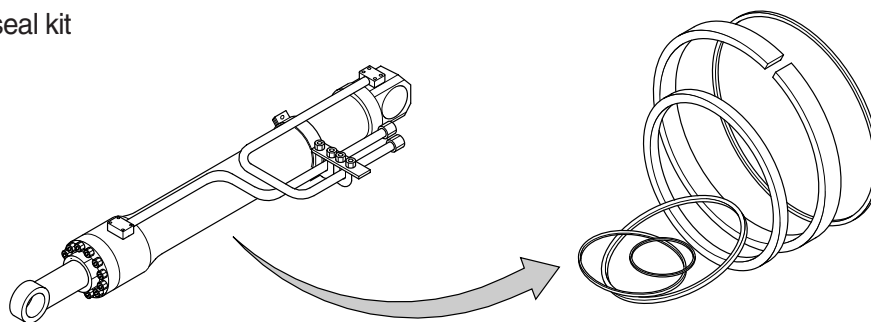


Hydraulic excavator

Model	Parts name	Assy p/no	Seal kit p/no	Without pipe sub	Applicable serial no.		
R200LC	ARM	E131-0293	91E1-2707	-	#0001-1884, #1929-2221		
		31E1-50230	31Y1-05440	31E1-55030	#1885-1928, #2222-		
	ARM* ¹	31E1-51530			#0001-		
	BUCKET	E131-0294	91E1-2708	31E1-65010	#0001-1884, #1929-2221		
		31E1-50240	31Y1-05610		#1885-1928, #2222-		
L/REACH BUCKET	31E1-53000	31Y1-02870	31EA-65010	#0001-			
R200LC-3	BOOM(LH)	31EM-50122	31Y1-06561	31EM-55012	#0001-1138		
	BOOM(RH)	31EM-50112			31EM-55013	#1139-	
	BOOM(LH)	31EM-50123		31EM-55012		#0001-1138	
	BOOM(RH)	31EM-50113			31EM-55013	#1139-1436	
	BOOM(LH)* ¹	31EM-51512		31Y1-16030		31EM-55013	#1437-
	BOOM(RH)* ¹	31EM-51522					
	BOOM(LH)* ¹	31EM-51513					
	BOOM(RH)* ¹	31EM-51523					
R210LC-3	BOOM(LH)* ¹	31EM-52110	31Y1-16030	31EM-55013	#1437-		
		BOOM(RH)* ¹				31EM-52120	
	ARM	31EM-50131	31Y1-06731	31EM-53031	#0001-1138		
		31EM-50132				31EM-53032	#1139-
	ARM* ¹	31EM-51531	31Y1-15930	31EM-53031	#0001-1138		
		31EM-51532				31EM-53032	#1139-1436
		31EM-52130					
	2PCS ARM	31EM-51580	31Y1-06731	31EM-53032	#1167-		
	2PCS ARM* ¹	31EM-59020					
	BUCKET	31EM-60111	31Y1-06841	31EM-65013	#0001-0150, #0191, #0193, #0212, #0213, #0223, #0224, #0226-0231, #0233, #0243-0249, #0258, #0259		
		31EM-60112			#0151-0190, #0192, #0194-0211, #0214-0222, #0225, #0232, #0234-0242, #0250-0257, #0260-0936, #1008-1010		
		31EM-60113			#0937-0939, #0982, #1006, #1007, #1011-1026, #1030-1044, #1046-1063, #1066-1078, #1083-1093, #1095-		
	L/REACH BUCKET	31E1-53000	31Y1-02870	31EA-65010	#0001-1304		
		31E1-53001	31Y1-13800	31Y1-13690	#1305-		
	ADJUST	31EM-59020	31Y1-12630	31Y1-16140	#1167-		
Q/COUPLING	08R0150	08R0150-19	-	#1139-			

*¹Safety lock

Cylinder assy & seal kit

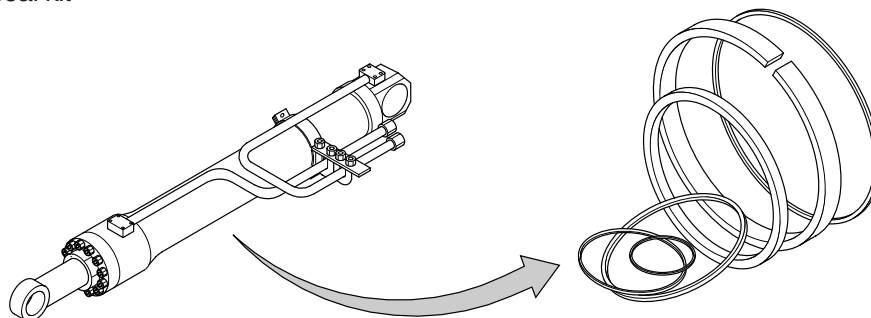


Hydraulic excavator

Model	Parts name	Assy p/no	Seal kit p/no	Without pipe sub	Applicable serial no.
R210LC-3LL	HOIST(LH)	31W1-60011	31Y1-00110	31W1-51310	#0001-
	HOIST(RH)	31W1-60021	31Y6-00180	-	#0001-
	STICK	RL301-10911			
	HEEL RACK	RL301-10931	31Y6-00290	31W1-51330	#0001-
R33HDLL	HOIST(LH)	31W2-50010	31Y1-17190	31Y1-17040	#0001-
	HOIST(RH)	31W2-50020			
	STICK	31W2-50030	31Y1-17030	31Y1-16790	#0001-
	HEEL RACK	31W2-60010	31Y1-17340	31Y1-17210	#0001-
R210LC-7	BOOM(LH)	31N6-50121	31Y1-15880	31Y1-15711	#0001-3965
	BOOM(RH)	31N6-50111			
	BOOM(LH)	31N6-50125	31Y1-15885	31Y1-15715	#3966-
	BOOM(RH)	31N6-50115			
	BOOM(LH)* ¹	31N6-52110	31Y1-18060	31Y1-15711	#0001-0144
	BOOM(RH)* ¹	31N6-52120			
	BOOM(LH)* ¹	31N6-52111	31Y1-18065	31Y1-15711	#0145-3965
	BOOM(RH)* ¹	31N6-52121			
R210LC-7	BOOM(LH)* ¹	31N6-52115	31Y1-18065	31Y1-15715	#3966-
	BOOM(RH)* ¹	31N6-52125			
	ARM	31N6-50130	31Y1-15230	31Y1-15060	#0001-3965
		31N6-50135	31Y1-15235	31Y1-15065	#3966-4909
		31N6-50137	31Y1-15236	31Y1-15066	#4910-9208
	ARM* ¹	31N6-52130	31Y1-18240	31Y1-15060	#0001-3965
		31N6-52135	31Y1-18245	31Y1-15065	#3966-4909
		31N6-52136	31Y1-18246	31Y1-15065	#4910-5083
		31N6-52137	31Y1-18246	31Y1-15066	#5084-
	L/REACH ARM	31N6-56100	31Y1-06731	31Y1-14890	#0055-
	BUCKET	31N6-60110	31Y1-15700	31Y1-15550	#0001-3965
		31N6-60115	31Y1-15705	31Y1-15555	#3966-
	L/REACH BUCKET	31N6-66100	31Y1-13800	31Y1-13690	#0055-0126
		31N6-66200		31Y1-19570	#0127-2060
		31N6-66201		#2061-	
	STICK	31W2-50030	31Y1-17030	31Y1-16790	#3559-

*¹Safety lock

Cylinder assy & seal kit



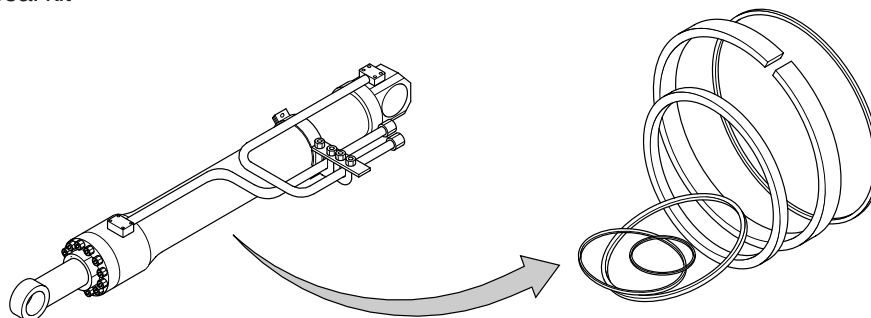
Hydraulic excavator

Model	Parts name	Assy p/no	Seal kit p/no	Without pipe sub	Applicable serial no.
R210LC-7A	BOOM(LH)	31N6-50125	31Y1-15885	31Y1-15715	#0001-
	BOOM(RH)	31N6-50115			#0001-
	BOOM(LH)* ¹	31N6-52115	31Y1-18065	31Y1-15715	#0001-
	BOOM(RH)* ¹	31N6-52125			#0001-
	ARM	31N6-50137	31Y1-15236	31Y1-15066	#0001-0671
		31N6-50138			#0672-
	ARM* ¹	31N6-52137	31Y1-18246		#0001
	SHORT ARM	31N6-50135	31Y1-15235	31Y1-15065	#0658-0671
		31N6-50138	31Y1-15236	31Y1-15066	#0672-
	L/REACH ARM	31N6-56100	31Y1-06731	31Y1-14890	#0001-
	BUCKET	31N6-60115	31Y1-15705	31Y1-15555	#0001-
L/REACH BUCKET	31N6-66201	31Y1-13800	31Y1-19570	#0001-	
R210LC-9	BOOM(LH)	31Q6-50110	31Y1-28960	31Y1-28800	#0001-
	BOOM(RH)	31Q6-50120			
	BOOM(LH)* ¹	31Q6-52110	31Y1-29490	31Y1-28800	#0001-
	BOOM(RH)* ¹	31Q6-52120			
	ARM	31Q6-50131	31Y1-28790	31Y1-28630	#0001-0005
				31Y1-28631	#0006-
	L/REACH ARM	31Q6-56100	31Y1-28790	31Y1-36980	#0086-
	L/REACH ARM* ²	31Q6-50400		31Y1-38020	#0178-
	ARM* ¹	31Q6-52131	31Y1-29500	31Y1-28630	#0001-0005
				31Y1-28631	#0006-
	L/REACH ARM* ¹	31Q6-56200	31Y1-29500	31Y1-36980	#0094-
BUCKET	31Q6-60110	31Y1-29100	31Y1-28970	#0001-	
L/REACH BUCKET	31Q6-66100	31Y1-36850	31Y1-36790	#0086-	
R210NLC-7	BOOM(LH)	31N6-53120	31Y1-18061	31Y1-21600	#0001-0268
	BOOM(RH)	31N6-53110			
	BOOM(LH)	31N6-53125	31Y1-15885	31Y1-21605	#0269-
	BOOM(RH)	31N6-53115			
	BOOM(LH)* ¹	31N6-54120	31Y1-18065	31Y1-21600	#0001-0268
	BOOM(RH)* ¹	31N6-54110			
	BOOM(LH)* ¹	31N6-54125	31Y1-18065	31Y1-21605	#0269-
	BOOM(RH)* ¹	31N6-54115			

*¹Safety lock

*²Boom 4.7 m

Cylinder assy & seal kit

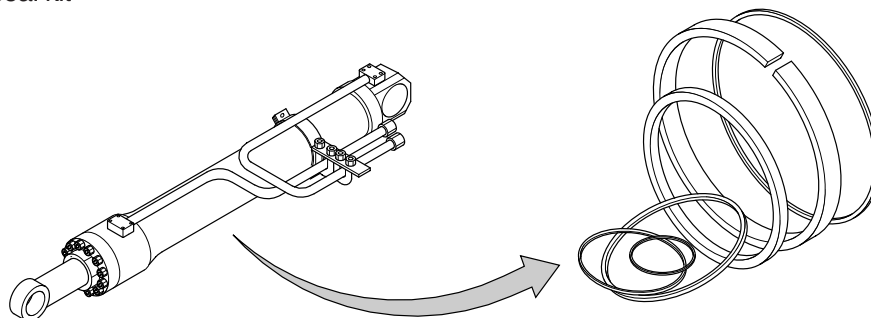


Hydraulic excavator

Model	Parts name	Assy p/no	Seal kit p/no	Without pipe sub	Applicable serial no.
R210NLC-7	ARM	31N6-50130	31Y1-15230	31Y1-15060	#0001-0268
		31N6-50135	31Y1-15235	31Y1-15065	#0269-0465
			31Y1-15236		#0466-
	ARM* ¹	31N6-52130	31Y1-18240	31Y1-15060	#0001-0268
		31N6-52135	31Y1-18245	31Y1-15065	#0269-0468
		31N6-52137	31Y1-18246	31Y1-15065	#0469-
	2PCS ARM	31N6-53210	31Y1-18240	31Y1-15060	#0001-0268
	2PCS ARM* ¹	31N6-54210	31Y1-18245		#0269-0468
	2PCS ARM	31N6-53215	31Y1-18245	31Y1-15065	#0269-
	2PCS ARM* ¹	31N6-54215	31Y1-18245		#0469-
	BUCKET	31N6-60110	31Y1-15700	31Y1-15550	#0001-0268
		31N6-60115	31Y1-15705	31Y1-15555	#0269-
	ADJUST	31N6-54130	31Y1-16180	31Y1-21610	#0001-0104
31N6-54131		31Y1-16180	31Y1-21611	#0105-	
R210NLC-7A	BOOM(LH)	31N6-53125	31Y1-15885	31Y1-21605	-
	BOOM(RH)	31N6-53115			
	ARM	31N6-50137	31Y1-15235	31Y1-15066	#0001-0124
		31N6-53215			
		31N6-50138	31Y1-15236	31Y1-15067	#0125-
		31N6-53216			
	BUCKET	31N6-60115	31Y1-15705	31Y1-15555	-
ADJUST	31N6-54131	31Y1-16180	31Y1-21611	-	
R210NLC-9	BOOM(LH)	31Q6-53110	31Y1-28960	31Y1-28800	#0001-
	BOOM(RH)	31Q6-53120			
	BOOM(LH)* ¹	31Q6-54110	31Y1-29490	31Y1-28800	#0001-
	BOOM(RH)* ¹	31Q6-54120			
	ARM	31Q6-50131	31Y1-28790	31Y1-28631	#0001-
	ARM* ¹	31Q6-52121	31Y1-29500	31Y1-29631	#0001-
	BUCKET	31Q6-60120	31Y1-29100	31Y1-28970	#0001-

*¹Safety lock

Cylinder assy & seal kit

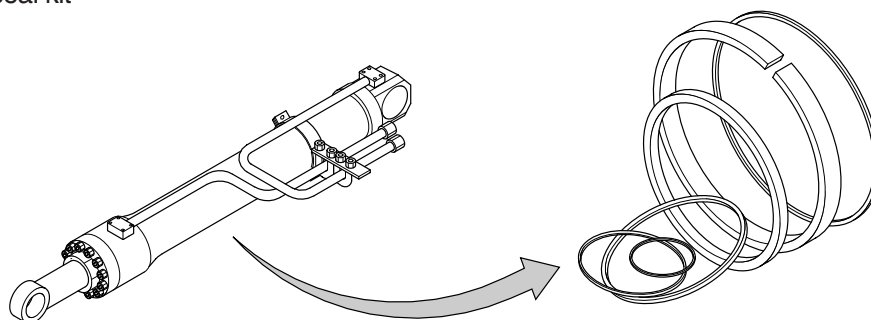


Hydraulic excavator

Model	Parts name	Assy p/no	Seal kit p/no	Without pipe sub	Applicable serial no.
R235LCR-9	BOOM(LH)	31Q6-54210	31Y1-28960	31Y1-37270	#0001-
	BOOM(RH)	31Q6-54220			
	BOOM(LH)*1	31Q6-54310	31Y1-29490	31Y1-37270	#0001-
	BOOM(RH)*1	31Q6-54320			
	ARM	31Q6-50131	31Y1-28790	31Y1-28631	#0001-
	ARM*1	31Q6-52131	31Y1-29500	31Y1-28631	#0001-
	BUCKET	31Q6-60110	31Y1-29100	31Y1-28970	#0001-
R250LC-3	BOOM(LH)	31EN-50120	31Y1-09990	31EN-55010	#0001-0082
	BOOM(RH)	31EN-50110			
	BOOM(LH)	31EN-50121	31Y1-09990	31EN-55011	#0083-
	BOOM(RH)	31EN-50111			
	BOOM(LH)*1	31EN-52120	31Y1-16040	31EN-55011	#0260-
	BOOM(RH)*1	31EN-52110			
	ARM	31EN-50131	31Y1-09860	31EN-55021	#0001-0082
		31EN-50132	31Y1-09860	31EN-55032	#0083-
	2PCS ARM	31EN-59010	31Y1-09860		#0001-
	ARM*1	31EN-52130	31Y1-15940		#0158-
	2PCS ARM*1	31EN-59210		#0260-	
	BUCKET	31EN-60110	31Y1-10160	31EN-65010	#0001-
	2PCS ADJUST	31EN-59020	31Y1-12780	31Y1-16150	#0001-
R250LC-7	BOOM(LH)	31N7-50110	31Y1-09990	31Y1-19810	#0001-
	BOOM(RH)	31N7-50120			
	BOOM(LH)*1	31N7-52110	31Y1-20000	31Y1-19810	#0001-
	BOOM(RH)*1	31N7-52120			
	ARM	31N7-50131	31Y1-18250	31Y1-19871	#0001-0935
		31N7-50132			#0936-
	ARM*1	31N7-52131	31Y1-18250	31Y1-19871	#0001-0935
		31N7-52132			#0936-
BUCKET	31N7-60110	31Y1-10160	31Y1-19970	#0001-	
R250LC-7A	BOOM(LH)	31N7-50110	31Y1-09990	31Y1-19810	#0001-
	BOOM(RH)	31N7-50120			#0001-
	BOOM(LH)*1	31N7-52110	31Y1-20000	31Y1-19810	#0001-
	BOOM(RH)*1	31N7-52120			#0001-

*1Safety lock

Cylinder assy & seal kit

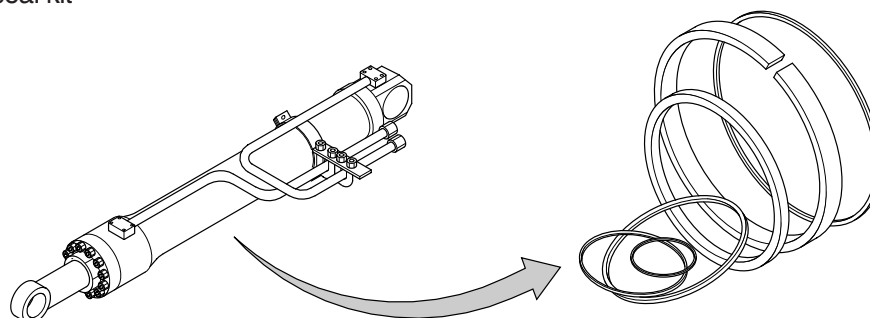


Hydraulic excavator

Model	Parts name	Assy p/no	Seal kit p/no	Without pipe sub	Applicable serial no.
R250LC-7A	ARM	31N7-50132	31Y1-18250	31Y1-19871	#0001-
	ARM* ¹	31N7-52132			#0001-
	BUCKET	31N7-60110	31Y1-10160	31Y1-19970	#0001-
R250LC-9	BOOM(LH)	31Q7-50110	31Y1-32670	31Y1-32460	#0001-
	BOOM(RH)	31Q7-50120			
	BOOM(LH)* ¹	31Q7-52110	31Y1-35200	31Y1-32460	#0001-
	BOOM(RH)* ¹	31Q7-52120			
	ARM	31Q7-50130	31Y1-32450	31Y1-32191	#0001-
	ARM* ¹	31Q7-52130	31Y1-35190	31Y1-32191	#0001-
	BUCKET	31Q7-60110	31Y1-32910	31Y1-32680	#0001-
R280LC	BOOM(LH)	E231-0062	91E2-2707	-	#0001-1657, #1660-1684, #1689-1697, #1700-1721, #1732-1737, #1771-1782, #1800-1855, #1882-1893, #1899-1901, #1921-2003, #2017-2049
	BOOM(RH)	E231-0061			
	BOOM(LH)	31E2-50210	91Y1-06990	-	#1658, #1659, #1685-1688, #1698, #1699, #1722-1731, #1738-1770, #1783-1799, #1856-1881, #1894-1898, #1902-1920, #2004-2016, #2050-
	BOOM(RH)	31E2-50220			
	ARM	E231-0063	91E2-2708	-	#0001-1657, #1660-1684, #1689-1697, #1700-1721, #1732-1737, #1771-1782, #1800-1855, #1882-1893, #1899-1901, #1921-2003, #2017-2049
		31E2-50230	31Y1-07190	-	#1658, #1659, #1685-1688, #1698, #1699, #1722-1731, #1738-1770, #1783-1799, #1856-1881, #1894-1898, #1902-1920, #2004-2016, #2050-
	BUCKET	E231-0064	91E2-2709	-	#0001-1657, #1660-1684, #1689-1697, #1700-1721, #1732-1737, #1771-1782, #1800-1855, #1882-1893, #1899-1901, #1921-2003, #2017-2049
		31E2-50240	31Y1-07350	-	#1658, #1659, #1685-1688, #1698, #1699, #1722-1731, #1738-1770, #1783-1799, #1856-1881, #1894-1898, #1902-1920, #2004-2016, #2050-
	SHORT BOOM(LH)	E231-0062RD	31Y1-07430	-	#0001-
	SHORT BOOM(RH)	E231-0061RD			
	R290LC	BOOM(LH)	31E9-0007	91E9-2707	-
BOOM(RH)		31E9-0006			
BOOM(LH)		31E9-50210	31Y1-07600	-	#0715-0737, #0741-
BOOM(RH)		31E9-50220			
ARM		31E9-0008	91E9-2708	-	#0001-0714, #0738-0740
		31E9-50230	31Y1-07750	31E9-55020	#0715-0737, #0741-

*¹Safety lock

Cylinder assy & seal kit

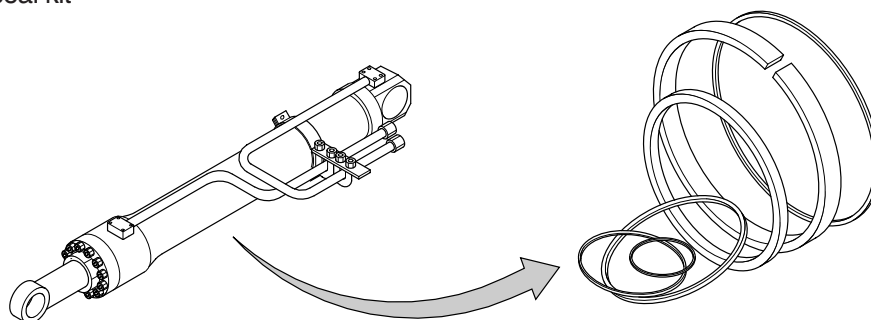


Hydraulic excavator

Model	Parts name	Assy p/no	Seal kit p/no	Without pipe sub	Applicable serial no.	
R290LC	BUCKET	31E9-0009	91E9-2709	-	#0001-0714, #0738-0740	
		31E9-50240	31Y1-07910	31E9-65011	#0715-0737, #0741-	
	L/REACH BUCKET	31E1-53000	31Y1-02870	31EA-65010	#0001-	
R290LC-3 R290LC-3RB	BOOM(LH)	31E9-50210	31Y1-07600	31E9-55010	#0001-0210	
	BOOM(RH)	31E9-50220				
	BOOM(LH)	31E9-50120	31Y1-07601		#0211-1031	
	BOOM(RH)	31E9-50110				
	BOOM(LH)	31E9-50121	31Y1-07602	31E9-55011	#1032-	
	BOOM(RH)	31E9-50111				
	BOOM(LH)* ¹	31E9-51510				
	BOOM(RH)* ¹	31E9-51520				
	BOOM(LH)* ¹	31E9-52120	31E9-55011	31E9-55011	#1127-	
	BOOM(RH)* ¹	31E9-52110				
	ARM		31E9-50230	31Y1-07750	-	#0001-0201
			31E9-50130	31Y1-07751	31E9-55020	#0202-1031
			31E9-50131	31Y1-07751	31E9-55031	#1032-
	ARM* ¹		31E9-51530	31Y1-07751	31E9-55020	#0001-1031
			31E9-52130	31Y1-15950	31E9-55031	#1032-
	BUCKET		31E9-50240	31Y1-07910	31E9-65011	#0001-0196, #0199, #0200
			31E9-50241	31Y1-07911		#0197, #0198, #0201-0342, #0344, #0346-0358, #0367
			31E9-60110			#0343, #0345, #0359-0366, #0368-0405
			31E9-60111			#0406-
	L/REACH BUCKET	31E1-53000	31Y1-02870	31EA-65010	#0001-1081	
L/REACH BUCKET	31E1-53001	31Y1-13800	31Y1-13690	#1082		
QUICK COUPLING	10R0150-19	10R0150-19	-	#0001-		
R290LC-3LL	HOIST(LH)	D10-0152L	P37-0050	31W9-51310	#0001-	
	HOIST(RH)	D10-0152R				
	STICK	D10-0116	P37-0050	-	#0001-	
	HELL	D10-0124B	P37-0041	-	#0001-	
39 HDRB	BOOM(LH)	31E9-50121	31Y1-07601	31E9-55010	#0001-	
	BOOM(RH)	31E9-50111				
	BOOM(LH)* ¹	31E9-51510				
	BOOM(RH)* ¹	31E9-51520				

*¹Safety lock

Cylinder assy & seal kit

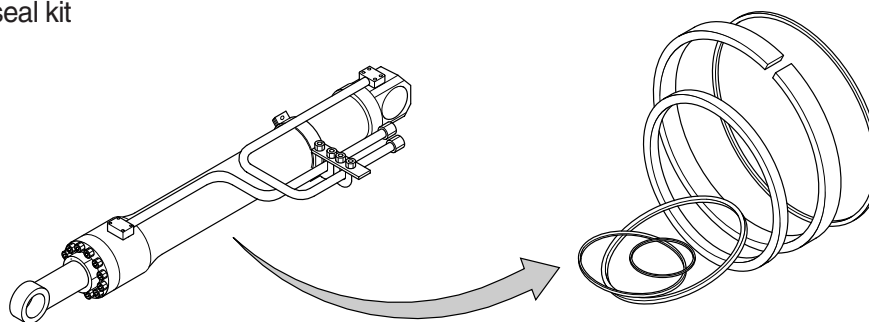


Hydraulic excavator

Model	Parts name	Assy p/no	Seal kit p/no	Without pipe sub	Applicable serial no.	
39HDRB	ARM	31E9-50131	31Y1-07751	31E9-55020	#0001-	
	ARM* ¹	31E9-51530				
	BUCKET	31E9-60110	31Y1-07911	31E9-65011	#0001-	
	THUMB	D10-0119	31Y6-00590	-	#0001-	
42 HDLL	HOIST(LH)	32W2-50010	31Y1-16760	31Y1-16610	#0001-	
	HOIST(RH)	32W2-50020				
	STICK	32W2-50030	31Y1-16600	31Y1-16530	#0001-	
	HELL	32W2-60010	31Y1-16900	31Y1-16770	#0001-	
R290LC-7	BOOM(LH)	31N8-50121	31Y1-15390	31Y1-15241	#0001-1621	
	BOOM(RH)	31N8-50111	31Y1-15390	31Y1-15241	#0001-1621	
	BOOM(LH)	31N8-50125	31Y1-15395	31Y1-15245	#1622-	
		31N8-50115				
	BOOM(LH)* ¹	31N8-52120	31Y1-18070	31Y1-15241	#0001-0069	
		31N8-52121	31Y1-18071		#0070-1621	
	BOOM(RH)* ¹	31N8-52110	31Y1-18070		#0001-0069	
		31N8-52111	31Y1-18071		#0070-1621	
	BOOM(LH)* ¹	31N8-52115	31Y1-18075	31Y1-15245	#1622-	
		31N8-52125	31Y1-18075			
	ARM		31N8-50130	31Y1-15040	31Y1-14900	#0001-1621
			31N8-50135	31Y1-15045	31Y1-14905	#1622-1810
			31N8-50137	31Y1-15046	31Y1-14906	#1811-2125
			31N8-50138	31Y1-15047	31Y1-14907	#2126-
	ARM* ¹		31N8-52130	31Y1-18250	31Y1-14900	#0001-1621
			31N8-52135	31Y1-18255	31Y1-14905	#1622-1810
			31N8-52137	31Y1-18256	31Y1-14906	#1811-2125
			31N8-52138	31Y1-18257	31Y1-14907	#2126-
	BUCKET		31N8-60110	31Y1-15540	31Y1-15400	#0001-0040
			31N8-60111	31Y1-15540	31Y1-15401	#0041-1621
			31N8-60115	31Y1-15545	31Y1-15405	#1622-
	L/REACH BUCKET		31N6-66100	31Y1-13800	31Y1-13690	#0001-0648
			31N6-66101			#0649-
	R290LC-7A	BOOM(LH)	31N8-50125	31Y1-15395	31Y1-15245	#0001-
BOOM(RH)		31N8-50115				
BOOM(LH)* ¹		31N8-52125	31Y1-18075			
BOOM(RH)* ¹		31N8-52115				

**Safety lock

Cylinder assy & seal kit

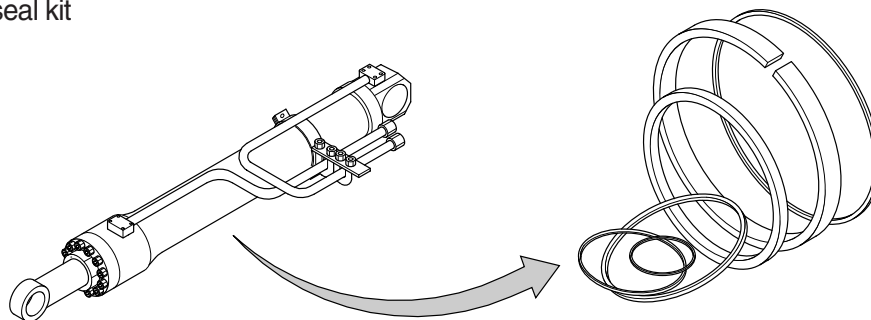


Hydraulic excavator

Model	Parts name	Assy p/no	Seal kit p/no	Without pipe sub	Applicable serial no.
R290LC-7A	ARM	31N8-50135	31Y1-15045	31Y1-14905	#0001-0100
		31N8-50136	31Y1-15046		#0101-0136
		31N8-50137	31Y1-15046	31Y1-14907	#0137-0388
		31N8-50138	31Y1-15047		#0389-1063
	ARM* ¹	31N8-50139	31Y1-30111	31Y1-34350	#1064-
		31N8-52135	31Y1-18255	31Y1-14905	#0001-0136
		31N8-52137	31Y1-18256		#0137-0338
		31N8-52138	31Y1-18257	31Y1-14907	#0139-1063
	BUCKET	31N8-60115	31Y1-15545	31Y1-15405	#0001-
	L/REACH BUCKET	31N6-66101	31Y1-13800	31Y1-13690	#0001-
R290LC-7H	BOOM(LH)	31N8-50121	31Y1-15390	31Y1-15241	-
	BOOM(RH)	31N8-50111			-
	ARM	31N8-50130	31Y1-15040	31Y1-14900	-
	ARM* ¹	31N8-52130	31Y1-18250		-
	BUCKET	31N8-60110	31Y1-15540	31Y1-15400	-
	L/REACH BUCKET	31N6-66101	31Y1-13800	31Y1-13690	-
R290LC-9	BOOM(LH)	31Q8-50110	31Y1-29930	31Y1-29830	#0001-
	BOOM(RH)	31Q8-50120			-
	BOOM(LH)* ¹	31Q8-52110	31Y1-29930	31Y1-29830	#0001-
	BOOM(RH)* ¹	31Q8-52120			-
	ARM	31Q8-50131	31Y1-30111	31Y1-29941	#0001-
	ARM* ¹	31Q8-52131	31Y1-34340	31Y1-29941	#0001-
	BUCKET	31Q8-60110	31Y1-30290	31Y1-30120	#0001-
	L/REACH BUCKET	31Q6-66100	31Y1-36850	31Y1-36790	#0043-
R305LC-7	BOOM(LH)	31N8-50121	31Y1-15390	31Y1-15241	#0001-0133
	BOOM(RH)	31N8-50111			-
	BOOM(LH)	31N8-50125	31Y1-15395	31Y1-15245	#0134-
	BOOM(RH)	31N8-50115			-
	BOOM(LH)* ¹	31N8-52121	31Y1-18071	31Y1-15241	#0001-0133
	BOOM(RH)* ¹	31N8-52111			-
	BOOM(LH)* ¹	31N8-52125	31Y1-18075	31Y1-15245	#0134-
	BOOM(RH)* ¹	31N8-52115			-
	ARM	31N8-50130	31Y1-15040	31Y1-14900	#0001-0133
		31N8-50135	31Y1-15045	31Y1-14905	#0134-0189
		31N8-50136	31Y1-15046		#0190-0196
		31N8-50137	31Y1-15046	31Y1-14906	#0197-0288
		31N8-50138	31Y1-15047	31Y1-14907	#0289-0607
		31N8-50139	31Y1-30111	31Y1-34350	#0608-
	ARM* ¹	31N8-52130	31Y1-18250	31Y1-14900	#0001-0133
		31N8-52135	31Y1-18255	31Y1-14905	#0134-0189
		31N8-52136	31Y1-18256		#0190-0196
		31N8-52137	31Y1-18256	31Y1-14906	#0197-0607
31N8-52139		31Y1-34340	31Y1-34350	#0608-	

*Safety lock

Cylinder assy & seal kit

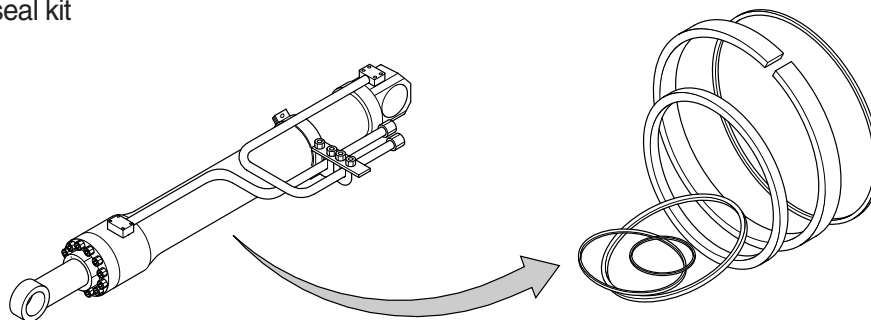


Hydraulic excavator

Model	Parts name	Assy p/no	Seal kit p/no	Without pipe sub	Applicable serial no.	
R305LC-7	BUCKET	31N8-60110	31Y1-15540	31Y1-15400	#0001-0133	
		31N8-60115	31Y1-15545	31Y1-15405	#0134-	
	L/REACH BUCKET	31N6-66101	31Y1-13800	31Y1-13690	#0108-	
R320LC	BOOM(LH)	31E5-0005	91E8-2707	-	#0001-0644, #0647	
	BOOM(RH)	31E5-0004				
	BOOM(LH)	31E5-50210	31Y1-08070	-	#0645, #0646, #0648-0799, #0804	
	BOOM(RH)	31E5-50220				
	BOOM(LH)	31E5-50120	31Y1-08071	31E5-55011	#0800-0803, #0805-	
	BOOM(RH)	31E5-50110				
	ARM		31E5-0006	91E8-2708	-	#0001-0644, #0647
			31E5-50230	31Y1-08240		#0645, #0646, #0648-0787, #0814, #0815, #0820, #0821, #0907, #0909, #0910
		31E5-50130	31Y1-08241	31E5-55030	#0788-0813, #0816-0819, #0822-0847, #0849, #0853, #0855-0858, #0863, #0864, #0868-0870, #0908, #0911-0914, #0917, #0918	
			31Y1-08242		#0848, #0850-0852, #0854, #0859-0862, #0865-0867, #0871-0906	
	31Y1-08243	#0915, #0916, #0919-				
	BUCKET	31E5-0007	91E8-2709	-	#0001-0644, #0647	
		31E5-50240	31Y1-08370			#0645, #0646, #0648-0791, #0793, #0798, #0809-0812
		31E5-60110	31Y1-08371			31E5-65010
	R320LC-3	BOOM(LH)	31E5-50121	31Y1-08071	31E5-55011	#0001-0098
BOOM(RH)		31E5-50111	31E5-55012		#0099-	
BOOM(LH)		31E5-50122				
BOOM(RH)		31E5-50112	31E5-55011		#0001-0098	
BOOM(LH)*1		31E5-51511				
BOOM(RH)*1		31E5-51521	31E5-55012		#0099-0117	
BOOM(LH)*1		31E5-51512				
BOOM(RH)*1		31E5-51522				
BOOM(LH)*1		31E5-52110	31Y1-16060	31E5-55012	#0118-	
BOOM(RH)*1		31E5-52120				
ARM		31E5-50130	31Y1-08243	31E5-55030	#0001-0098	
		31E5-50131		31E5-55031	#0099-	
ARM*1		31E5-51530		31E5-55030	#0001-0098	
		31E5-51531		31E5-55031	#0099-0117	
		31E5-52110	31Y1-15960	31E5-55031	#0118-	
BUCKET		31E5-60110	31Y1-08371	31E5-65010	#0001-	

*1 Safety lock

Cylinder assy & seal kit

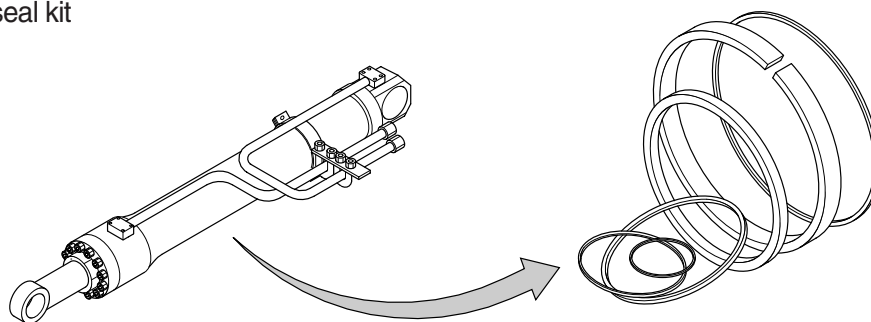


Hydraulic excavator

Model	Parts name	Assy p/no	Seal kit p/no	Without pipe sub	Applicable serial no.	
R320LC-7	BOOM(LH)	31N9-50121	31Y1-21100	31Y1-19041	-#1364	
	BOOM(RH)	31N9-50111		31Y1-19042	#1365-	
	BOOM(LH)	31N9-50122		31Y1-21100	31Y1-19041	-#1364
	BOOM(RH)	31N9-50112			31Y1-19042	#1365-
	BOOM(LH)* ¹	31N9-52121	31Y1-19080		31Y1-19050	-#1364
	BOOM(RH)* ¹	31N9-52111			31Y1-19051	#1365-
	BOOM(LH)* ¹	31N9-50122		31Y1-19550	31Y1-19050	-#1364
	BOOM(RH)* ¹	31N9-52112			31Y1-19050	#1365-
	ARM	31N9-50130 31N9-50131	31Y1-19090	31Y1-19060	-#1364	
				31Y1-19061	#1365-	
	ARM* ¹	31N9-52130 31N9-52131	31Y1-19090	31Y1-19060	-#1364	
				31Y1-19061	#1365-	
BUCKET	31N9-60110 31N9-60111	31Y1-19090	31Y1-19060	-#1364		
			31Y1-19061	#1365-		
R320LC-7A	BOOM(LH)	31N9-50121	31Y1-21100	31Y1-19041	-#0432	
	BOOM(RH)	31N9-50111		31Y1-19042	#0433-	
	BOOM(LH)	31N9-50122		31Y1-21100	31Y1-19041	-#0432
	BOOM(RH)	31N9-50112			31Y1-19042	#0433-
	BOOM(LH)* ¹	31N9-52121	31Y1-19080		31Y1-19050	-#0432
	BOOM(RH)* ¹	31N9-52111			31Y1-19051	#0433-
	BOOM(LH)* ¹	31N9-50122		31Y1-19550	31Y1-19050	-#0432
	BOOM(RH)* ¹	31N9-52112			31Y1-19050	#0433-
	ARM	31N9-50130 31N9-50131	31Y1-19090	31Y1-19060	-#0432	
				31Y1-19061	#0433-	
	ARM* ¹	31N9-52130 31N9-52131	31Y1-19090	31Y1-19060	-#0432	
				31Y1-19061	#0433-	
BUCKET	31N9-60110 31N9-60111	31Y1-19090	31Y1-19060	-#0432		
			31Y1-19061	#0433-		
R320LC-9	BOOM(LH)	31Q9-50110	31Y1-33420	31Y1-33170	#0001-	
	BOOM(RH)	31Q9-50120				
	BOOM(LH)* ¹	31Q9-52110	31Y1-35950	31Y1-33170	#0001-	
	BOOM(RH)* ¹	31Q9-52120				
	ARM	31Q9-50130	31Y1-32941	31Y1-33110	#0001-	
	ARM* ¹	31Q9-52130	31Y1-35970	31Y1-33110	#0001-	
	BUCKET	31Q9-60110	31Y1-33570	31Y1-33430	#0001-	

*Safety lock

Cylinder assy & seal kit

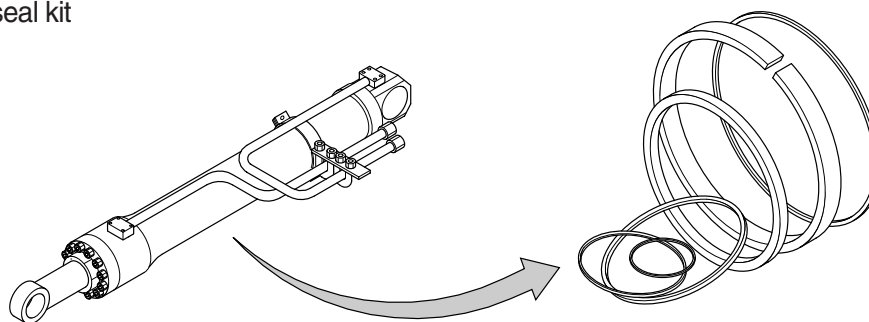


Hydraulic excavator

Model	Parts name	Assy p/no	Seal kit p/no	Without pipe sub	Applicable serial no.	
R360LC-3	BOOM(LH)	31EH-50120	31Y1-08541	31EH-55010	#0001-0194	
	BOOM(RH)	31EH-50110		31EH-55011	#0195-	
	BOOM(LH)	31EH-50121			31EH-55011	#0223-
	BOOM(RH)	31EH-50111		31EH-55011		#0001-0012
	BOOM(LH)* ¹	31EH-52120	31EH-55011		#0013-0194	
	BOOM(RH)* ¹	31EH-52110		31EH-55011	#0195-	
	ARM	31EH-50130	31Y1-08691		31EH-55020	#0223-
		31EH-50131	31Y1-08692	31EH-55031	#0001-	
	ARM* ¹	31EH-52130	31Y1-15970	31EH-55031	#0001-	
	BUCKET	31EH-60110	31Y1-08831	31EH-65010	#0001-	
R360LC-7	BOOM(LH)	31NA-50121	31Y1-20910	31NA-50123	-#0100	
	BOOM(RH)	31NA-50111			#0101-0889	
	BOOM(LH)	31NA-50122				#0890-
		31NA-50123			#0101-0889	
	BOOM(RH)	31NA-50112				#0890-
		31NA-50113			#0101-0889	
	BOOM(LH)* ¹	31NA-52121	31Y1-20920	31Y1-20800		-#0100
	BOOM(RH)* ¹	31NA-52111			#0101-0889	
	BOOM(LH)* ¹	31NA-52122				#0890-
		31NA-52123			#0101-0889	
	BOOM(RH)* ¹	31NA-52112				#0890-
		31NA-52113			#0101-0889	
	ARM	31NA-50130	31Y1-18480	31Y1-18450		-#0100
		31NA-50131			#0101-0382	
		31NA-50132				#0383-
	ARM* ¹	31NA-52131	31Y1-19610	31Y1-18450	-#0100	
		31NA-52132			#0101-0382	
		31NA-52133				#0383-
BUCKET	31NA-60110	31Y1-18490	31Y1-18460	-#0100		
	31NA-60111			#0101-		
R360LC-7A	BOOM(LH)	31NA-50122	31Y1-20910	31Y1-20800	-#0055	
		31NA-50123			#0056-0259	
		31NA-50124		31Y1-20801		#0260-
	BOOM(RH)	31NA-50112		31Y1-20800	31Y1-20800	-#0055
		31NA-50113				#0056-0259
		31NA-50114				
		31NA-50111				31Y1-20801
		31NA-50111				

*¹Safety lock

Cylinder assy & seal kit

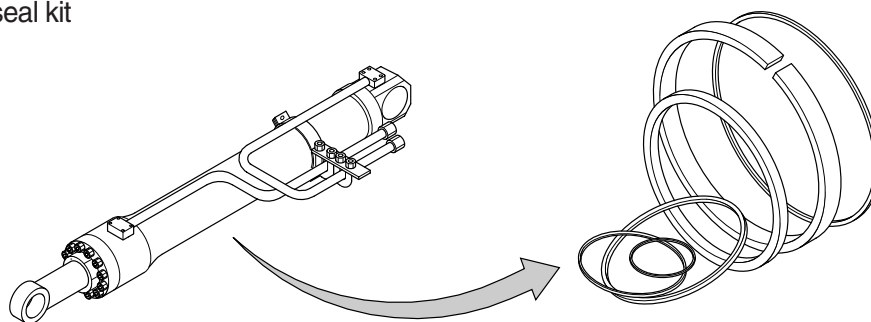


Hydraulic excavator

Model	Parts name	Assy p/no	Seal kit p/no	Without pipe sub	Applicable serial no.
R360LC-7A	BOOM(LH)*1	31NA-52122	31Y1-20920	31Y1-20800	-#0055
		31NA-52123			#0056-0259
		31NA-52124		31Y1-20801	#0260-
	BOOM(RH)*1	31NA-52112		31Y1-20800	-#0055
		31NA-52113			#0056-0259
		31NA-52114		31Y1-20801	#0260-
	ARM	31NA-50132	31Y1-18480	31Y1-18450	#0001-0259
		31NA-50133		31Y1-18451	#0260-0380
	ARM*1	31NA-52133	31Y1-19610	31Y1-18450	#0001-0259
		31NA-52134		31Y1-18451	#0260-0385
		31NA-52135	31Y1-35214	31Y1-18452	#0386-
	BUCKET	31NA-60111	31Y1-18490	31Y1-18460	#0001-0259
31NA-60112		31Y1-18461		#0260-	
R380LC-9	BOOM(LH)	31QA-50110	31Y1-33870	31Y1-33730	#0001-0089
	BOOM(RH)	31QA-50120			
	BOOM(LH)	31QA-50111			
	BOOM(RH)	31QA-50121			
	BOOM(LH)*1	31QA-52110	31Y1-36150	31Y1-33730	#0001-
	BOOM(RH)*1	31QA-52120			
	ARM	31QA-50130	31Y1-33710	31Y1-33600	#0001-
	ARM*1	31QA-52130	31Y1-36170		#0001-
BUCKET	31QA-60110	31Y1-34010	31Y1-33880	#0001-	
R450LC-3	BOOM(LH)	31E7-0010	31E7-2711	-	#0001-
	BOOM(RH)	31E7-0011			
	ARM	31E7-0012	31E7-2712	-	#0001-
	BUCKET	31E7-0013	31E7-2713	-	#0001-
	BOOM(LH)	31E7-04791	31Y1-09060	31E7-55012	#0001-0015, #0017-0035, #0039-0063, #0065-0074, #0076-0078, #0085, #0096-0098
	BOOM(RH)	31E7-04801			
	BOOM(LH)	31E7-04792			
	BOOM(RH)	31E7-04802			
	BOOM(LH)	31E7-04793	31Y1-09060	31E7-55012	#1207-
	BOOM(RH)	31E7-04803			
	BOOM(LH)*1	34E7-52110	31Y1-16110	31E7-55012	#1109-
	BOOM(RH)*1	34E7-52120			
	ARM	31E7-0478	31Y1-09270	-	#0001-1000
		31E7-04781	31Y1-09271	31E7-55031	#1001-1206
		31E7-04782	31Y1-09271	31E7-55031	#1207-
		ARM*1	34E7-52130	31Y1-16100	31E7-55031
BUCKET	31E7-0477	31Y1-09410	31E7-65010	#0001-1206	
	31E7-04771	31Y1-09410	31E7-65010	#1207-	

*1 Safety lock

Cylinder assy & seal kit

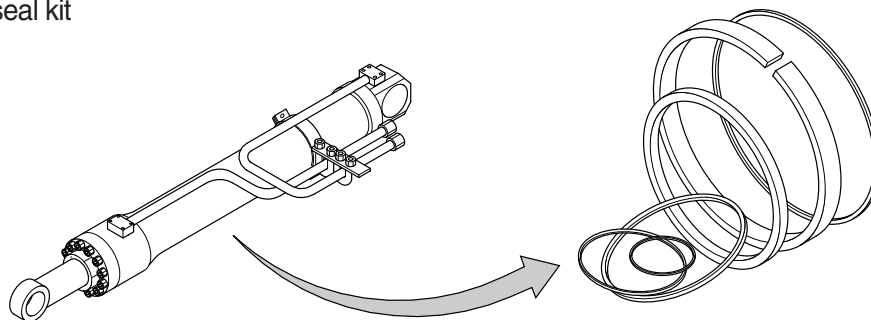


Hydraulic excavator

Model	Parts name	Assy p/no	Seal kit p/no	Without pipe sub	Applicable serial no.	
R450LC-7	BOOM(LH)	31NB-50220	31Y1-18410	31Y1-18390	-#0011	
	BOOM(RH)	31NB-50230		31Y1-21250	#0012-0021	
	BOOM(LH)	31NB-50310		31Y1-18411	31E7-55013	#0022-0130
	BOOM(RH)	31NB-50320				#0131-0832
	BOOM(LH)	31NB-50221	31E7-55014		#0833-0947	
	BOOM(RH)	31NB-50231				
	BOOM(LH)	31NB-50222	31Y1-18412		31E7-55015	#0948-
	BOOM(RH)	31NB-50232				
	BOOM(LH)	31NB-50223	31Y1-16110		31Y1-18390	#0001-0011
	BOOM(RH)	31NB-50233				
	BOOM(LH)*1	31NB-52220			31Y1-55013	#0023-0130
	BOOM(RH)*1	31NB-52230				
	BOOM(LH)*1	31NB-52310		31E7-55014		#0833-0947
	BOOM(RH)*1	31NB-52320				
	BOOM(LH)*1	31NB-52221		31Y1-16111	31Y1-55013	#0023-0130
	BOOM(RH)*1	31NB-52231				
	BOOM(LH)*1	31NB-52222	31Y1-16112	31E7-55014	#0833-0947	
	BOOM(RH)*1	31NB-52232				
	BOOM(LH)*1	31NB-52223	31Y1-16112	31E7-55015	#0948-	
	BOOM(RH)*1	31NB-52233				
	ARM	ARM	31NB-50240	31Y1-18420	31Y1-18400	#0001-0108
			31NB-50241		31Y1-23870	#0109-0261
			31NB-50242	31Y1-24790	31Y1-24760	#0262-0270
			31NB-50243		#0271-0832	
			31NB-50244		31Y1-24761	#0833-
		ARM*1	31NB-52240	31Y1-16100	31Y1-18400	#0001-0108
			31NB-52241			#0109-0261
			31NB-52242	31Y1-24980	31Y1-24760	#0262-0270
			31NB-52243			#0271-0832
			31NB-52244			31Y1-24761

*1 Safety lock

Cylinder assy & seal kit

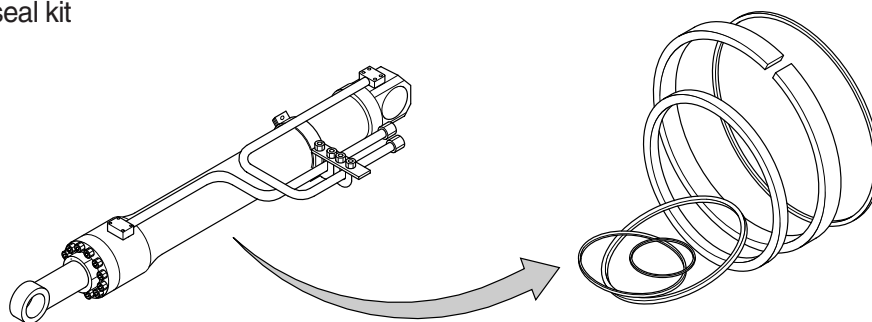


Hydraulic excavator

Model	Parts name	Assy p/no	Seal kit p/no	Without pipe sub	Applicable serial no.	
R450LC-7	BUCKET	31NB-60131	31Y1-18430	31Y1-18271	#0001-0130	
		31NB-60132			#0131-0261	
		31NB-60133	31Y1-24670	31Y1-24640	#0262-0832	
		31NB-60134			#0833-0946	
R450LC-7A	BOOM(LH)	31NB-60131	31Y1-18411	31Y1-55013	#0001-0227	
	BOOM(RH)	31NB-60132				
	BOOM(LH)	31NB-60133		31Y1-55014	#0228-0272	
	BOOM(RH)	31NB-60134				
	BOOM(LH)	31NB-50224	31Y1-18412	31Y1-55015	#0273-	
	BOOM(RH)	31NB-50234				
	BOOM(LH)* ¹	31NB-52222	31Y1-16111	31Y1-55013	#0001-0227	
	BOOM(RH)* ¹	31NB-52232				
	BOOM(LH)* ¹	31NB-52223		31Y1-55014	#0228-0272	
	BOOM(RH)* ¹	31NB-52233				
	BOOM(LH)* ¹	31NB-52224	31Y1-16112	31Y1-55015	#0273-	
	BOOM(RH)* ¹	31NB-52234				
	ARM		31NB-50243	31Y1-24790	31Y1-24760	#0001-0227
			31NB-50244		31Y1-24761	#0228-
		ARM* ¹	31NB-52243	31Y1-24980	31Y1-24760	#0001-0227
			31NB-52244		31Y1-24761	#0228-
BUCKET	31NB-60133	31Y1-24670	31Y1-24640	#0001-0227		
	31NB-60134	31Y1-24671	31Y1-24641	#0228-		
R480LC-9	BOOM(LH)	31QB-50110	31Y1-35590	31Y1-35460	#0001-	
	BOOM(RH)	31QB-50120				
	BOOM(LH)* ¹	31QB-52110	31Y1-35940		#0001-	
	BOOM(RH)* ¹	31QB-52120				
	ARM	31QB-50130	31Y1-35450	31Y1-35220	#0001-	
	ARM* ¹	31QB-52130	31Y1-35930		#0001-	
	BUCKET	31QB-60110	31Y1-35840	31Y1-35720	#0001-	
R500LC-7 R500LC-7A	BOOM(LH)	33NB-50220	31Y1-26580	31Y1-26420	#0001-	
	BOOM(RH)	33NB-50230				
	BOOM(LH)* ¹	33NB-52220	31Y1-26820			
	BOOM(RH)* ¹	33NB-52230				
	ARM	33NB-50240	31Y1-26410	31Y1-26240	#0001-	
	ARM* ¹	33NB-52240	31Y1-26840			
	BUCKET	33NB-60130	31Y1-26760	31Y1-26590	#0001-	

*¹Safety lock

Cylinder assy & seal kit

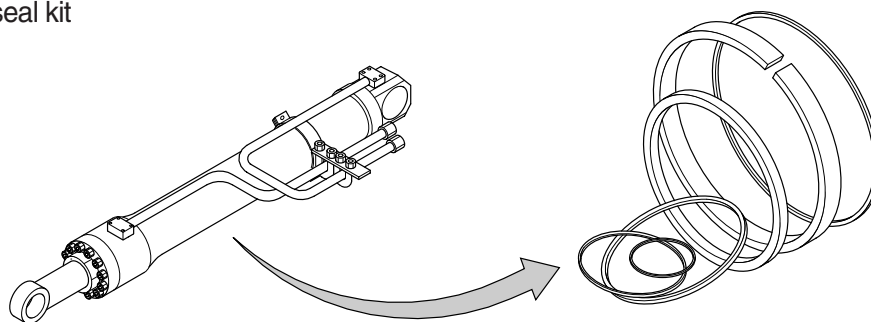


Hydraulic excavator

Model	Parts name	Assy p/no	Seal kit p/no	Without pipe sub	Applicable serial no.
R520LC-9	BOOM(LH)	31QB-50110	31Y1-35590	31Y1-35460	#0001-
	BOOM(RH)	31QB-50120			#0001-
	BOOM(LH)* ¹	31QB-52110	31Y1-35940		#0001-
	BOOM(RH)* ¹	31QB-52120		#0001-	
	ARM	31QB-50130	31Y1-35450	31Y1-35220	#0001-
	ARM* ¹	31QB-52130	31Y1-35930		#0001-
	BUCKET	31QB-63110	31Y1-35710	31Y1-35620	#0001-
R800LC-7A	BOOM(LH)	31ND-50010	31Y1-34060	-	-
	BOOM(RH)	31ND-50020		-	-
	ARM	31ND-50030	31Y1-34070	-	-
	BUCKET	31ND-60010	31Y1-34080	-	-

*¹Safety lock

Cylinder assy & seal kit

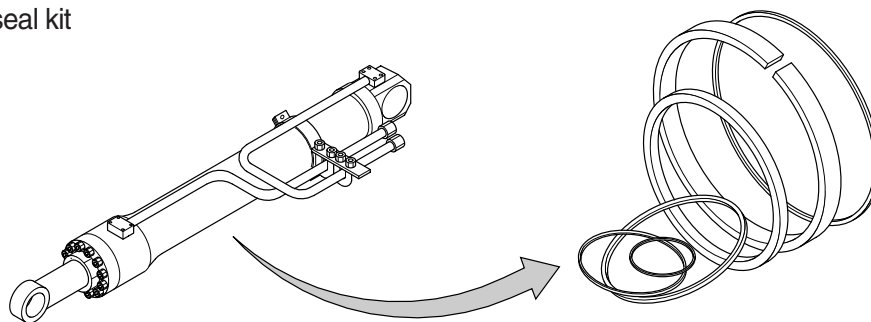


Hydraulic excavator

Model	Parts name	Assy p/no	Seal kit p/no	Without pipe sub	Applicable serial no.
R95W-3	BOOM	31EE-50010	31Y1-10360	31EE-55010	#0001-
	BOOM* ¹	35EA-52110	31Y1-15990	35EA-55040	
	ARM	31EE-50020	31Y1-10510	31EE-55030	#0001-
	ARM* ¹	31EE-52130	31Y1-17860		
	BUCKET	31EE-60010	31Y1-10630	31EE-65010	#0001-
	SWING	31EE-10310	31Y1-10780	31EE-76010	#0001-
	ADJUST	31EE-50031	31Y1-11030	31Y1-17840	#0001-
	DOZER BLADE(LH)	31EE-70151	31Y1-17650	31Y1-13271	#0001-
	DOZER BLADE(RH)	31EE-70161			
R120W	BOOM(LH)	000272	91E3-2711	-	#0001-0593, #0599-0607, #0632, #0633
	BOOM(RH)	000280			
	BOOM(LH)	31E3-0006	31Y1-02570	31E3-55010	#0594-0598, #0608-0631, #0634-
	BOOM(RH)	31E3-0005			
	ARM	31E3-0007	91E3-2712	31E3-55030	#0001-0593, #0599-0607, #0632, #0633
		000248	31Y1-02740		
	BUCKET	31E3-0008	91E3-2713	-	#0001-0593, #0599-0607, #0632, #0633
		000234	31Y1-02870		
	D/BLADE(LH)	31E4-0010	91E3-2714	-	#0001-0271, #0276-0300, #0305-0400, #0411-0474, #0485-0519, #0539-0546, #0548-0550, #0554-0593, #0599-0607, #0622, #0627, #0632, #0633
D/BLADE(RH)	31E4-0014				
D/BLADE	000240	31Y1-02970	-	#0272-0275, #0301-0304, #0401-0410, #0475-0484, #0520-0538, #0547, #0594-0598, #0608-0621, #0623-0626, #0628-0631, #0634-0638	
R130W	BOOM(LH)	31E3-0006	31Y1-02570	31E3-55010	#0001-
	BOOM(RH)	31E3-0005			
	BOOM(LH)* ¹	31E3-51510			
	BOOM(RH)* ¹	31E3-51520			
	ARM	31E3-0007	31Y1-02740	31E3-55030	#0001-
	ARM* ¹	31E3-51530			
	BUCKET	31E3-0008	31Y1-02870	31EA-65010	#0001-0284
		31EA-60010			#0285-
	D/BLADE	31E3-0014	31Y1-02970	-	#0001-
	OUTRIGGER(LH)	31EA-00880	31Y1-03090	31EA-75020	#0001-
OUTRIGGER(RH)	31EA-00870				

*¹Safety lock

Cylinder assy & seal kit

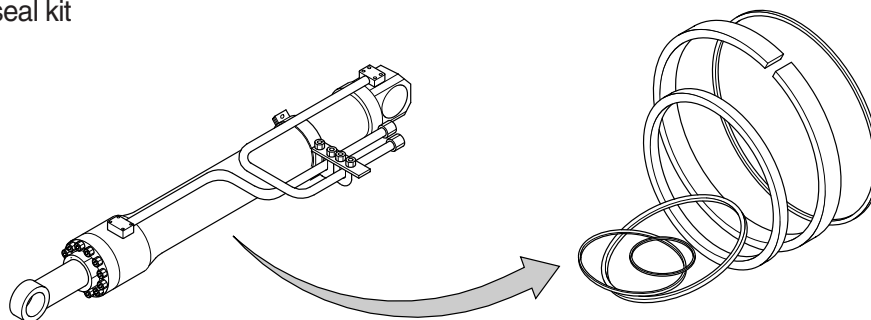


Hydraulic excavator

Model	Parts name	Assy p/no	Seal kit p/no	Without pipe sub	Applicable serial no.	
R130W	2PCS BOOM(LH)	31EA-01120	31Y1-03220	31EA-55040	#0001-	
	2PCS BOOM(RH)	31EA-01110				
	2PCS ADJUST(LH)* ¹	31EA-51540				
	2PCS ADJUST(RH)* ¹	31EA-51550				
	2PCS ADJUST(LH)	31EA-01740	31Y1-03350	31EA-55060	#0001-	
	2PCS ADJUST(RH)	31EA-01750				
	2PCS ADJUST(LH)* ¹	31EA-51560				
	2PCS ADJUST(RH)* ¹	31EA-51570				
R130W-3	BOOM(LH)	31E6-50121	31Y1-03561	31EA-55011	#0001-	
	BOOM(RH)	31E6-50111				
	BOOM(LH)* ¹	31E6-51511				
	BOOM(RH)* ¹	31E6-51521				
	BOOM(LH)* ¹	35EA-52210	31Y1-15990	31E6-55011	#0030-	
	BOOM(RH)* ¹	35EA-52220				
	ARM		31E6-50131	31Y1-03711	31E6-55031	#0001-0207
			31E6-50132	31Y1-03712	31E6-55032	#0208-
	ARM* ¹		31E6-51531	31Y1-03711	31E6-55031	#0001-0029
			31E6-52130	31Y1-15890	31E6-55031	#0030-0207
			31E6-52131	31Y1-15890	31E6-55032	#0208-
	D/BLADE(FR,LH)	35EA-70350	31Y1-17660	35Y1-18660	#0151-	
	D/BLADE(FR,RH)	35EA-70360				
	BUCKET	31E6-60111	31Y1-03861	31E6-65011	#0001-	
	D/BLADE(FR,LH)	35EA-70150	31Y1-13340	31Y1-13820	#0001-	
	D/BLADE(FR,RH)	35EA-70160				
	OUTRIGGER(LH)	35EA-70170	31Y1-14050	31Y1-14070	#0001-	
	OUTRIGGER(RH)	35EA-70180				
	2PCS ADJUST	35EA-50150	31Y1-12480	-	#0001-	
	R140W-7	BOOM(LH)	31N4-50120	31Y1-18170	31Y-18120	#0001-
BOOM(RH)		31N4-50110				
BOOM(LH)* ¹		31N4-52120	31Y1-18580	#0001-		
BOOM(RH)* ¹		31N4-52110				
2PCS BOOM(LH)		31N4-50910	31Y1-21200	31Y1-21140	#0001-	
2PCS BOOM(RH)		31N4-50920				
2PCS BOOM(LH)* ¹		31N4-52910	31Y1-18580		#0001-	
2PCS BOOM(RH)* ¹		31N4-52920				
ARM			31N4-50130	31Y1-18110	31Y1-18080	#0001-0005
			31N4-50132		31Y1-18081	#0006-0684
		31N4-50133	31Y1-18082		#0685-	

*¹Safety lock

Cylinder assy & seal kit

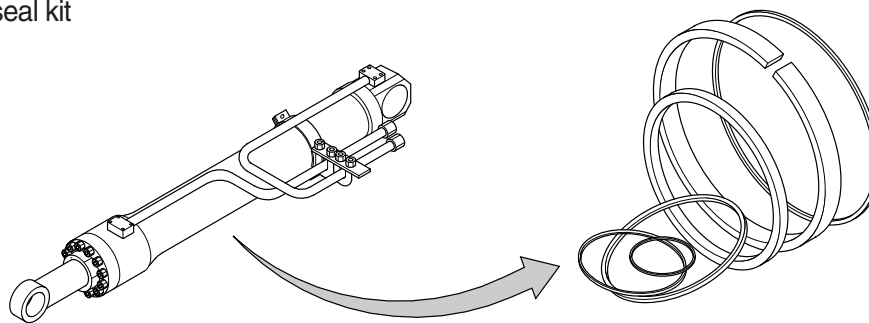


Hydraulic excavator

Model	Parts name	Assy p/no	Seal kit p/no	Without pipe sub	Applicable serial no.	
R140W-7	BUCKET	31N4-60110	31Y1-18210	31Y1-18180	#0001-	
	D/BLADE(RE,LH)	31N4-70110	31Y1-23860	31Y1-23770	#0001-	
	D/BLADE(RE,RH)	31N4-70120				
	D/BLADE(RE,LH)	35EA-70350	31Y1-17660	31Y1-18661	#0001-	
	D/BLADE(FR,RH)	35EA-70360				
	2PCS ADJUST*1	31N4-52940	31Y1-16170	35EA-50150	#0001-	
	OUTRIGGER(LH)	35EA-70170	31Y1-14050	31Y1-14070	#0001-	
	OUTRIGGER(RH)	35EA-70180				
R140W-7A	BOOM(LH)	31N4-50110	31Y1-18170	31Y1-18120	-	
	BOOM(RH)	31N4-50120				
	ADJUST BOOM(LH)	31N4-50910	31Y1-21200	31Y1-21140	-	
	ADJUST BOOM(RH)	31N4-50920				
	ARM	31N4-50132	31Y1-18110	31Y1-18081	-#0173	
		31N4-50133		31Y1-18082	#0174-	
	BUCKET	31N4-60110	31Y1-18210	31Y1-18180	-	
	D/BLADE(FR, LH)	35N4-70350	31Y1-17660	31Y1-18661	-	
	D/BLADE(FR, RH)	35N4-70360				
	D/BLADE(RR, LH)	31N4-71110	31Y1-23860	31Y1-23770	-	
	D/BLADE(RR, RH)	31N4-71120				
	ADJUST	31N4-52940	31Y1-16170	35EA-50150	-	
	OUTRIGGER LH	35N4-70170	31Y1-14050	31Y1-14070	-	
	OUTRIGGER RH	35N4-70180				
R140W-9	BOOM(LH)	31Q4-50110	31Y1-31320	31Y1-31160	#0001-0043	
	BOOM(RH)	31Q4-50120				
	BOOM(LH)	31Q4-50111		31Y1-31161	#0044-	
	BOOM(RH)	31Q4-50121				
	2PCS BOOM(LH)	31Q4-50910		31Y1-38081	#0017-0043	
	2PCS BOOM(RH)	31Q4-50920				
	2PCS BOOM(LH)	31Q4-50911				
	2PCS BOOM(RH)	31Q4-50921				
	BOOM(LH)*1	31Q4-52110		31Y1-32150	31Y1-31160	#0001-
	BOOM(RH)*1	31Q4-52120				
	2PCS BOOM(LH)*1	31Q4-52910			31Y1-38081	#0001-
	2PCS BOOM(RH)*1	31Q4-52920				
	ARM	31Q4-50130	31Y1-31150	31Y1-30971	#0001-0004	
		31Q4-50131		31Y1-30972	#0005-	

*1 Safety lock

Cylinder assy & seal kit

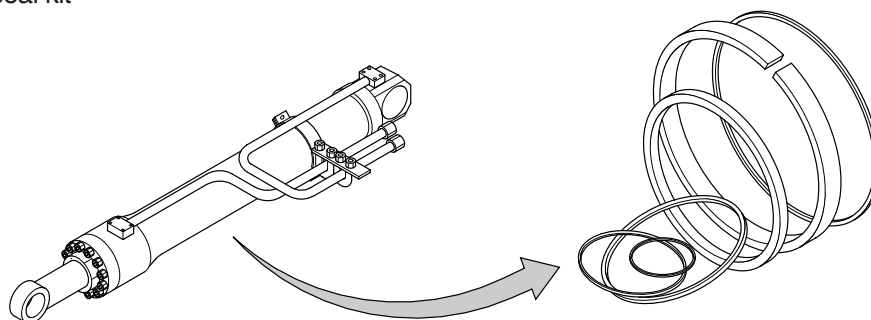


Hydraulic excavator

Model	Parts name	Assy p/no	Seal kit p/no	Without pipe sub	Applicable serial no.
R140W-9	ARM*1	31Q4-52130	31Y1-32160	31Y1-30971	#0001-0004
		31Q4-52131		31Y1-30972	#0005-0043
		31Q4-52132			#0044-
	BUCKET	31Q4-60111	31Y1-31490	31Y1-31331	#0001-0043
		31Q4-60112		31Y1-31332	#0044-
	D/BLADE(LH,RR)	31Q4-70150	XKCD-01228	-	#0001-0006
	D/BLADE(RH,RR)	31Q4-70160			#0007-
	D/BLADE(LH,RR)	31Q4-70151			
	D/BLADE(RH,RR)	31Q4-70161			
	D/BLADE(LH,FR)	31Q4-70130	XKCC-00071	-	#0001-
	D/BLADE(RH,FR)	31Q4-70140			
	OUTRIGGER(LH)	31Q4-70210	XKCC-00097	-	#0001-
	OUTRIGGER(RH)	31Q4-70220			
ADJUST	31Q4-52940	31Y1-16170	31Y1-38520	#0017-	
R170W-3	BOOM(LH)	31EK-50120	31Y1-04191	31EK-55010	#0001-0173
	BOOM(RH)	31EK-50110			
	BOOM(LH)	31EK-50121	31Y1-04192	31EK-55011	#0174-
	BOOM(RH)	31EK-50111			
	BOOM(LH)*1	31EK-51521	31Y1-04192	31EK-55011	#0001-0225
	BOOM(RH)*1	31EK-51511			
	BOOM(LH)*1	31EK-52110	31Y1-16010	31EK-55011	#0226-
	BOOM(RH)*1	31EK-52120			
	ARM	31EK-50130	31Y1-04361	31EK-55030	#0001-0173
		31EK-50131	31Y1-04362	31EK-55031	#0174-0556
		31EK-50132	31Y1-04362	31EK-55032	#0557-
	ARM*1	31EK-51531	31Y1-04361	31EK-55030	#0001-0225
		31EK-52130	31Y1-15910	31EK-55031	#0226-
	BUCKET	31EK-60110	31Y1-04461	31EK-65010	#0001-
	D/BLADE(LH)	31EK-70010	31Y1-04610	31EK-75010	#0001-0229
	D/BLADE(RH)	31EK-70020			
	D/BLADE(LH)	31EK-70050	31Y1-04050	31EK-71510	#0230-
	D/BLADE(RH)	31EK-70060			
	OUTRIGGER(LH)	31EK-70031	31Y1-04771	31EK-75021	#0001-0229
	OUTRIGGER(RH)	31EK-70041			
	OUTRIGGER(LH)	31EK-70531	31Y1-14200	31EK-71521	#0230-
	OUTRIGGER(RH)	31EK-70541			

*1 Safety lock

Cylinder assy & seal kit

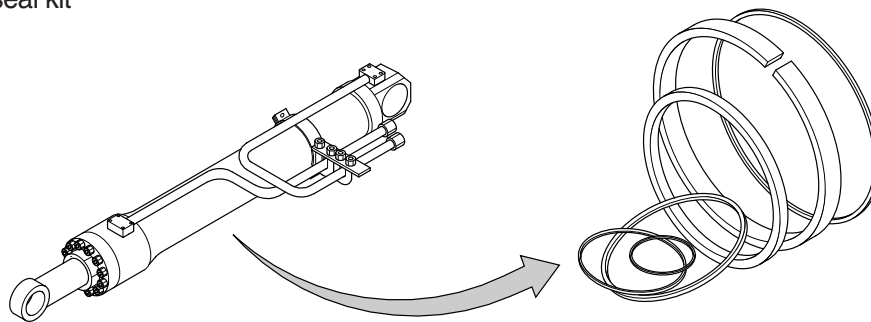


Hydraulic excavator

Model	Parts name	Assy p/no	Seal kit p/no	Without pipe sub	Applicable serial no.	
R170W-3	2PCS BOOM(LH)	31EK-50911	31Y1-04911	31EK-55041	#0001-0173	
	2PCS BOOM(RH)	31EK-50901				
	2PCS BOOM(LH)	31EK-50912	31Y1-04912	31EK-55042	#0174-	
	2PCS BOOM(RH)	31EK-50902				
	2PCS BOOM(LH)* ¹	31EK-51542	31Y1-04912	31EK-55042	#0001-0225	
	2PCS BOOM(RH)* ¹	31EK-51552				
	2PCS BOOM(LH)* ¹	31EK-52900	31Y1-16020	31EK-55042	#0226-	
	2PCS BOOM(RH)* ¹	31EK-52910				
	2PCS ARM		31EK-50921	31Y1-04361	31EK-55051	#0001-0173
			31EK-50922	31Y1-04362	31EK-55052	#0174-0556
			31EK-50923		31EK-55032	#0557-
	2PCS ARM* ¹		31EK-50942	31Y1-15920	31EK-55052	#0001-0255
			31EK-52920			#0256-0556
			31EK-52921			31EK-55032
	2PCS ADJUST(LH)	31EK-50932	31Y1-05091	-		#0001-0173
	2PCS ADJUST(RH)	31EK-50933	31Y1-05092			#0174-
	2PCS ADJUST(LH)* ¹	31EK-52940	31Y1-16080	31Y1-16130		#0318-
	2PCS ADJUST(RH)* ¹	31EK-52930				
R170W-7	BOOM(LH)	31N5-50110	31Y1-20430	31Y1-20380	#0001-	
	BOOM(RH)	31N5-50120				
	BOOM(LH)* ¹	31N5-52110	31Y1-20190	31Y1-20380	#0001-	
	BOOM(RH)* ¹	31N5-52120				
	2PCS BOOM(LH)	31N5-52910	31Y1-20430	31Y1-24200	#0001-0021	
	2PCS BOOM(RH)	31N5-52920				
	2PCS BOOM(LH)	31N5-52911	31Y1-20430	31Y1-24200	#0022-	
	2PCS BOOM(RH)	31N5-52921				
	2PCS BOOM(LH)* ¹	31N5-53910	31Y1-20190	31Y1-24200	#0001-0021	
	2PCS BOOM(RH)* ¹	31N5-53920				
	2PCS BOOM(LH)* ¹	31N5-53911	31Y1-20190	31Y1-24200	#0022-	
	2PCS BOOM(RH)* ¹	31N5-53921				
	ARM	31N5-50131	31Y1-20450	31Y1-20200	#0001-	
	ARM* ¹	31N5-52131	31Y1-20270			
	BUCKET	31N5-60110	31Y1-20340	31Y1-20280	#0001-	
2PCS ADJUST* ¹	31N5-52940	31Y1-24090	31Y1-23980	#0022-		

*Safety lock

Cylinder assy & seal kit

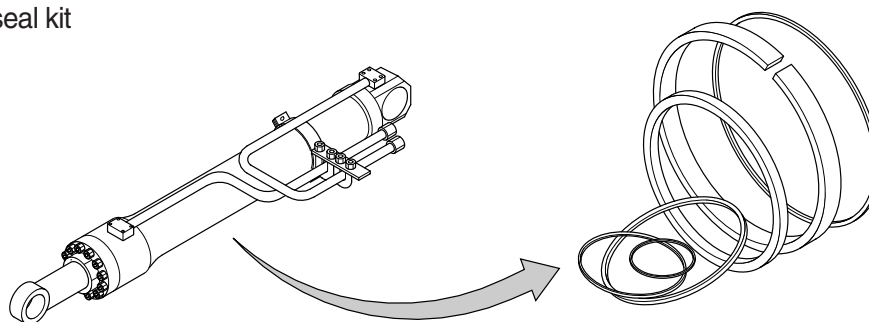


Hydraulic excavator

Model	Parts name	Assy p/no	Seal kit p/no	Without pipe sub	Applicable serial no.	
R170W-7	D/BLADE(LH)	31EK-70050	31Y1-14050	31EK-71510	#0001-	
	D/BLADE(RH)	31EK-70060				
	OUTRIGGER(LH)	31EK-70531	31Y1-14200	31EK-71521	#0001-	
	OUTRIGGER(RH)	31EK-70541				
R170W-7A	BOOM(LH)	31N5-50110	31Y1-20430	31Y1-20380	#0001-	
	BOOM(RH)	31N5-50120			#0001-	
	BOOM(LH)* ¹	31N5-52110	31Y1-20190		#0001-	
	BOOM(RH)* ¹	31N5-52120		#0001-		
	2PCS BOOM(LH)	31N5-52911	31Y1-20430	31Y1-24200	#0001-	
	2PCS BOOM(RH)	31N5-52921			#0001-	
	2PCS BOOM(LH)* ¹	31N5-53911	31Y1-20190		#0001-	
	2PCS BOOM(RH)* ¹	31N5-53921		#0001-		
	ARM	31N5-50131	31Y1-20450	31Y1-20200	#0001-	
	ARM* ¹	31N5-52131	31Y1-20270		#0001-	
	BUCKET	31N5-60110	31Y1-20340	31Y1-20280	#0001-	
	2PCS ADJUST* ¹	31N5-52940	31Y1-24090	31Y1-23980	#0001-	
	D/BLADE(LH)	31EK-70050	31Y1-14050	31EK-71510	#0001-	
	D/BLADE(RH)	31EK-70060			#0001-	
	OUTRIGGER(LH)	31N5-70530	31Y1-14200	31EK-71521	#0001-	
	OUTRIGGER(RH)	31N5-70540			#0001-	
	R170W-9	BOOM(LH)	31Q5-50112	31Y1-34790	31Y1-34611	#0001-
		BOOM(RH)	31Q5-50122			#0001-
BOOM(LH)* ¹		31Q5-52112	31Y1-35060	#0001-		
BOOM(RH)* ¹		31Q5-52122		#0001-		
2PCS BOOM(LH)		31Q5-50910	31Y1-38470	31Y1-38510	#0001-	
2PCS BOOM(RH)		31Q5-50920			#0001-	
2PCS BOOM(LH)* ¹		31Q5-52910	31Y1-39390		#0001-	
2PCS BOOM(RH)* ¹		31Q5-52920		#0001-		
ARM		31Q5-50132	31Y1-34600	31Y1-34412	#0001-	
ARM* ¹		31Q5-52132	31Y1-35070		#0001-	
BUCKET		31Q5-60111	31Y1-35030	31Y1-34801	#0001-	
D/BLADE(LH)		31Q5-70110	XKCC-00097	-	#0001-	
D/BLADE(RH)		31Q5-70120		#0001-		
OUTRIGGER(LH)		31Q5-70210	XKCC-00589	-	#0001-	
OUTRIGGER(RH)		31Q5-70220		#0001-		
QUICK CLAMP		XKBP-00078	XKBP-00102	-	#0001-	

*Safety lock

Cylinder assy & seal kit

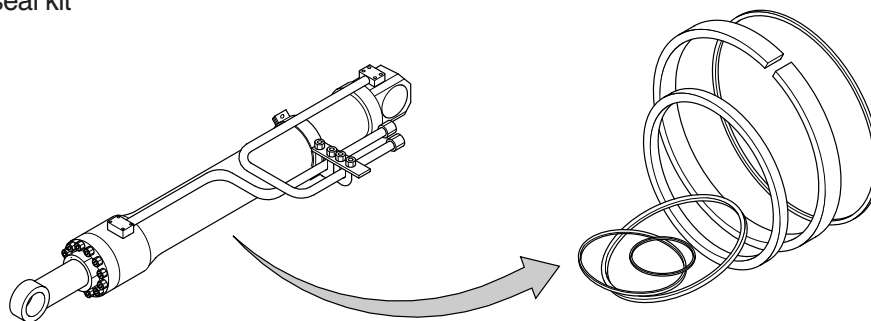


Hydraulic excavator

Model	Parts name	Assy p/no	Seal kit p/no	Without pipe sub	Applicable serial no.	
R200W R200W-2	BOOM(LH)	E131-0295	91E1-2706	-	#0001-0226, #0237-0273 #001, #0109	R200W
	BOOM(RH)	E131-0292				R200W-2
	BOOM(LH)	31E1-50210	31Y1-05260	31E1-55010	#0227-0236, #0274- #0002-0108, #0110-	R200W
	BOOM(RH)	31E1-50220				R200W-2
	BOOM(LH)* ¹	31E1-51510				R200W
	BOOM(RH)* ¹	31E1-51520				R200W-2
	ARM	E131-0293	91E1-2707	-	#0001-0226, #0237-0249, #0251-0271, #0001, #0109	R200W
		31E1-50230	31Y1-05440			31E1-55030
	ARM* ¹	31E1-51530			#0227-0236, #0250, #0272- #0002-0108, #0110-	R200W-2
	BUCKET	E131-0294	91E1-2708	-	#0001-0226, #0237-0249, #0251-0271 #0001, #0109	R200W
		31E1-50240	31Y1-05610			31E1-65010
	2PCS BOOM(LH)	31E4-00460	31Y1-06220	31E4-55040	#0001-	
	2PCS BOOM(RH)	31E4-00450				
	2PCS BOOM(LH)* ¹	31E4-51540				
	2PCS BOOM(RH)* ¹	31E4-51550				
	2PCS ADJUST(LH)* ¹	31E4-00480	31Y1-06400	-	#0001-0438	
	2PCS ADJUST(RH)* ¹	31E4-00470				
	2PCS ADJUST	31E4-00471	31Y1-06401	31E4-00471	#0263-0438	
		31E4-00472		31Y1-16160	#0439-	
	D/BLADE(LH)	31E4-0010	31Y1-05800	31E4-75010	OLD(#0001-0087) OLD(#0001-0117) NEW(#0088-) NEW(#0118-)	R200W
31E4-00930		R200W				
D/BLADE(RH)	31E4-0011	R200W				
	31E4-00930	R200W-2				
OUTRIGGER(LH)	31E4-0008	31Y1-05950	31E4-75020	OLD(#0001-0087) OLD(#0001-0117) NEW(#0088-) NEW(#0118-)	R200W	
	31E4-00910				R200W	
OUTRIGGER(RH)	31E4-0009				R200W	
	31E4-00920				R200W-2	
R200W-3	BOOM(LH)	31EM-50123	31Y1-06561	31EM-55013	#0001-	
	BOOM(RH)	31EM-50113				
	BOOM(LH)* ¹	31ER-52110	31Y1-16030			
	BOOM(RH)* ¹	31ER-52120				

*¹Safety lock

Cylinder assy & seal kit

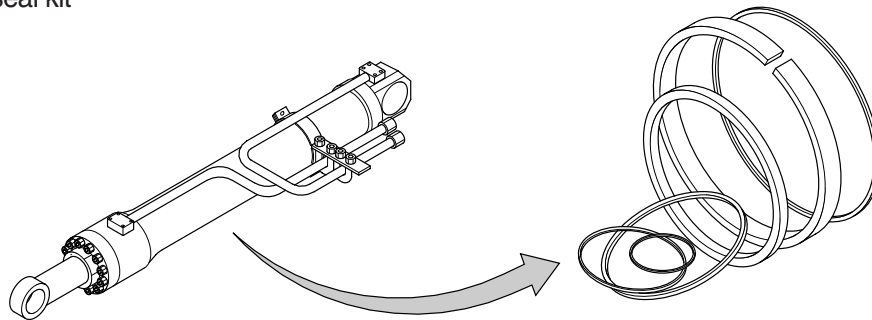


Hydraulic excavator

Model	Parts name	Assy p/no	Seal kit p/no	Without pipe sub	Applicable serial no.	
R200W-3	ARM	31EM-50132	31Y1-06731	31EM-53032	#0001-	
	ARM* ¹	31EM-52130	31Y1-15930			
	BUCKET	31EM-60113	31Y1-06841	31EM-65013	#0001-	
	D/BLADE(LH)	31ER-70510	31Y1-14360	31ER-71510	#0001-	
	D/BLADE(RH)	31ER-70520				
	OUTRIGGER(LH)	31E4-00910	31Y1-05950	31E4-75020	#0001-	
	OUTRIGGER(RH)	31E4-00920				
R200W-7	BOOM(LH)	31N6-53120	31Y1-18061	31Y1-21600	#0001-0614	
	BOOM(RH)	31N6-53110				
	BOOM(LH)	31N6-53125	31Y1-15885	31Y1-21605	#0615-	
	BOOM(RH)	31N6-53115				
	BOOM(LH)* ¹	31N6-54120	31Y1-18065	31Y1-21600	#0001-0614	
	BOOM(RH)* ¹	31N6-54110				
	BOOM(LH)* ¹	31N6-54125		31Y1-21605	#0615-	
	BOOM(RH)* ¹	31N6-54115				
	ARM	31N6-50130		31Y1-15230	31Y1-15060	#0001-0614
				31Y1-15235	31Y1-15065	#0615-1070
					31Y1-15067	#1724-
				31N6-50135	31Y1-15235	31Y1-15065
	2PCS ARM	31N6-53210	31Y1-18240	31Y1-15060	#0136-0614	
			31Y1-15235	31Y1-15065	#0615-1723	
			31Y1-35212	31Y1-15067	#1724-	
	ARM* ¹	31N6-52130	31Y1-18240	31Y1-15550	#0001-0614	
			31Y1-18245	31Y1-15065	#0615-1070	
				31N6-52137	31Y1-15065	#1071
	2PCS ARM* ¹	31N6-54210	31Y1-18240	31Y1-21521	#0001-0614	
			31Y1-18245	31Y1-15065	#0615-1070	
	BUCKET	31N6-60110	31Y1-15700	31Y1-15550	#0001-0614	
			31Y1-15705	31Y1-15555	#0615-	
	D/BLADE(LH)	31N6-70011	31Y1-14360	31Y1-21521	#0001-1300	
	D/BLADE(RH)	31N6-70021				
	D/BLADE(LH)	31N6-70011BG			#1301-	
	D/BLADE(RH)	31N6-70021BG				

*¹Safety lock

Cylinder assy & seal kit

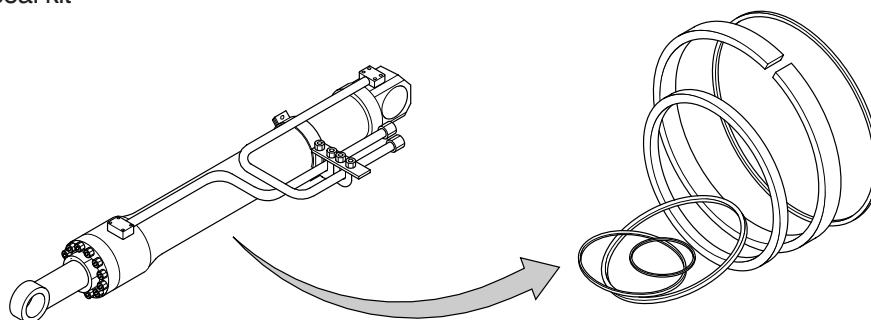


Hydraulic excavator

Model	Parts name	Assy p/no	Seal kit p/no	Without pipe sub	Applicable serial no.
R200W-7	OUTRIGGER(LH)	31N6-70031	31Y1-14270	31Y1-21351	#0001-0009
	OUTRIGGER(RH)	31N6-70041		31Y1-21352	#0010-1300
	OUTRIGGER(LH)	31N6-70032			#1031-
	OUTRIGGER(RH)	31N6-70042			
	OUTRIGGER(LH)	31N6-70032BG			
	OUTRIGGER(RH)	31N6-70042BG			
	ADJUST	31N6-54131	31Y1-16180	31Y1-21611	#0136-
R200W-7A	BOOM(LH)	31N6-53125	31Y1-15885	31Y1-21605	-
	BOOM(RH)	31N6-53115	31Y1-18065	31Y1-21605	-
	BOOM(LH)* ¹	31N6-54125			
	BOOM(RH)* ¹	31N6-54115	31Y1-15236	31Y1-15065	#0001-0150
	ARM	31N6-50137			#0151-
		31N6-50138	31Y1-15235	31Y1-15065	#0001-0150
	2PCS ARM	31N6-53215			31Y1-35212
		ARM* ¹	31N6-52137	31Y1-18246	31Y1-15065
	31N6-52138		#0151-		
	2PCS ARM* ¹	31N6-54215	31Y1-18245	31Y1-15065	#0001-0150
		31N6-54216			#0151-
	BUCKET	31N6-60115	31Y1-15705	31Y1-15555	-
	D/BLADE(LH)	31N6-70011BG	31Y1-14360	31Y1-21521	-
	D/BLADE(RH)	31N6-70021BG			
	OUTRIGGER(LH)	31N6-70032BG	31Y1-14270	31Y1-21352	-
	OUTRIGGER(RH)	31N6-70042BG			
	ADJUST	31N6-54131	31Y1-16180	31Y1-21611	-

*¹Safety lock

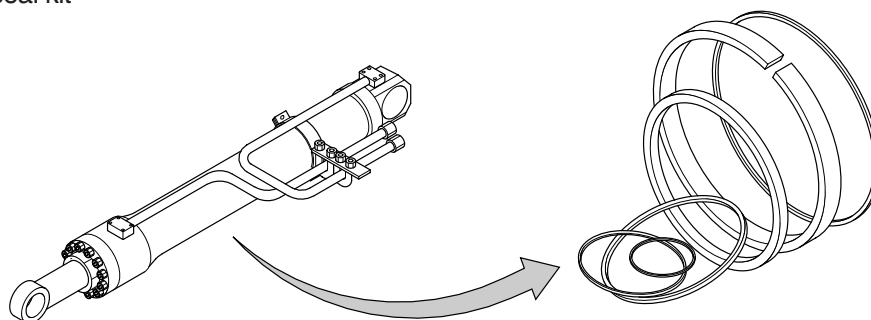
Cylinder assy & seal kit



Mini excavator

Model	Parts name	Assy p/no	Seal kit p/no	Without pipe sub	Applicable serial no.
R55-3	BOOM	31M5-65011	31Y1-01320	-	#0001-1139
		31M5-65012			#1140-
	ARM	31M6-65010	31Y1-12070	-	#0001-0017
		31M6-65011	31Y1-12071		#0018-1139
		31M6-65012			#1140-1332
		31M6-65013	31Y1-12072		-
	BUCKET	31M5-00360	31Y1-01550	-	#0001-1139
		31M5-00361			#1140-
	D/BLADE	31M5-60020	31Y1-01780	-	#0001-0919
		31M7-60020			#0920-
	SWING	31M5-00371	31Y1-01650	-	#0001-1139
		31M5-00372			#1140-
	BOOM(OPTION)	31M6-65150	31Y1-01320	-	#0001-1139
		31M6-65151			#1140-
R55W-3	BOOM	31M6-02020	31Y1-01820	-	#0001-0134
		31M6-02021			#01350-
	ARM	31M6-02010	31Y1-12071	-	#0001-0134
		31M6-02011			#0135-0207
		31M6-02012	31Y1-12072		#0208-
	BUCKET	31M5-00360	31Y1-01550	-	#0001-0134
		31M5-00361			#0135-
	D/BLADE	31M5-00430	31Y1-01980	-	#0001-
	SWING	31M5-00371	31Y1-01650	-	#0001-0134
		31M7-00372			#0135-

Cylinder assy & seal kit



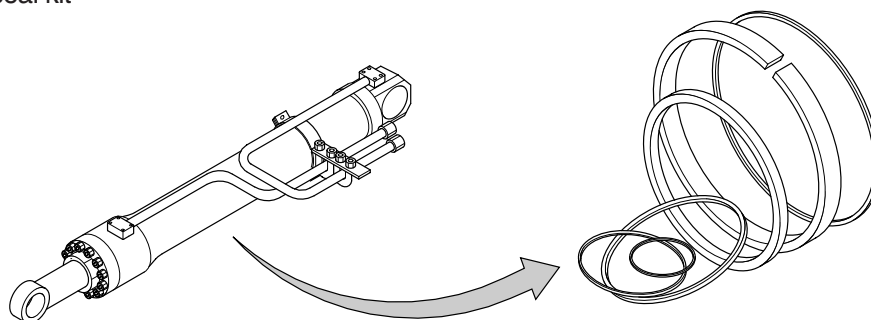
Mini excavator

Model	Parts name	Assy p/no	Seal kit p/no	Without pipe sub	Applicable serial no.	
R55-7	BOOM* ¹	31M8-50111	31Y1-24310	-	#0001-	
	BOOM* ²	31M8-51110				
	ARM	31M8-51120	31Y1-24350	-	#0001-	
	BUCKET	31M8-51130	31Y1-24370	-	#0001-	
	SWING	31M8-11011	31Y1-24420	-	#0001-0200	
		31M8-11012			#0201-	
	D/BLADE	31M8-40031	31Y1-24500	-	#0001-0384	WITHOUT VALVE
		31M8-40032			#0385-0509	WITHOUT VALVE
		31M8-40033	31Y1-24501		#0510-	WITHOUT VALVE
		31M8-40061	31Y1-25260		#0385-	WITH VALVE
R55-7A	BOOM* ¹	31M8-50111	31Y1-24310	-	#0001-	
	BOOM* ²	31M8-51110		-	#0001-	
	ARM	31M8-51120	31Y1-24350	-	#0001-	
	BUCKET	31M8-51130	31Y1-24370	-	#0001-	
	D/BLADE (W/O VALVE)	31M8-40033	31Y1-24501	-	#0001-	
	D/BLADE (WITH VALVE)	31M8-40061	31Y1-25260	-	#0001-	
	SWING	31M8-11012	31Y1-24420	-	#0001-	
R55-9	BOOM	31M9-50112	XKCD-01026	-	#0001-1447	
	BOOM	31M9-50113			#1448-	
	ARM	31M9-50120	XKCD-00999	-	#0001-1447	
		31M9-50121			#1448-	
	BUCKET	31M9-50130	XKCD-01049	-	#0001-1447	
		31M9-50131			#1448-	
	D/BLADE	31M9-40032	XKCC-00040	-	#0001-1116	WITHOUT VALVE
		31M9-40830			#1117-	WITHOUT VALVE
		31M9-40063	XKCC-00327		#0001-1116	WITH VALVE
		31M9-40860			#1117-	WITH VALVE
SWING	31M9-11011	XKCC-00339	-	#0001-1447		
	31M9-11012			#1448-		

*¹With cover

*²Without cover

Cylinder assy & seal kit



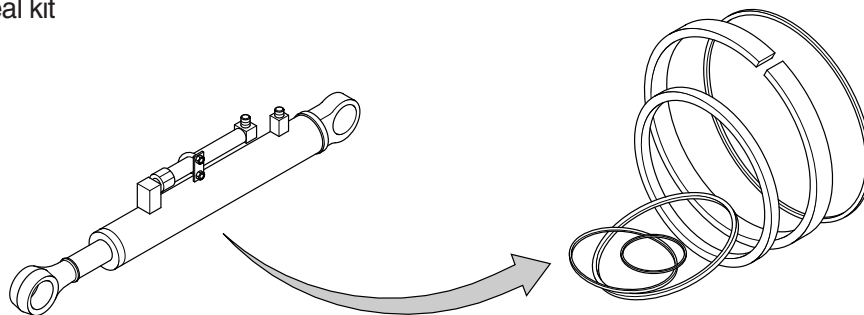
Mini excavator

Model	Parts name	Assy p/no	Seal kit p/no	Without pipe sub	Applicable serial no.
R55W-7	BOOM* ¹	31M8-50111	31Y1-24310	-	#0001-
	BOOM* ²	31M8-51110			
	ARM	31M8-51120	31Y1-24350	-	#0001-
	BUCKET	31M8-51130	31Y1-24370	-	#0001-
	SWING	31M8-11011	31Y1-24420	-	#0001-0012
		31M8-11012			#0013-
	D/BLADE	31M8-70010	31Y1-24440	-	#0001-0262
31M8-70011		#0263-			
R55W-7A	BOOM* ¹	31M8-50111	31Y1-24310	-	#0001-
	BOOM* ²	31M8-51110			#0001-
	ARM	31M8-51120	31Y1-24350	-	#0001-
	BUCKET	31M8-51130	31Y1-24370	-	#0001-
	D/BLADE	31M8-70011	31Y1-24440	-	#0001-
	SWING	31M8-11012	31Y1-24420	-	#0001-
R55W-9	BOOM	31M9-50112	XKCD-01026	-	#0001-1281
		31M9-50113			#1282-
	ARM	31M9-50120	XKCD-00999	-	#0001-1281
		31M9-50121			#1282-
	BUCKET	31M9-50130	XKCD-01049	-	#0001-1281
		31M9-50131			#1282-
	D/BLADE	31M9-70011	XKCC-00037	-	#0001-1281
		31M9-70810			#1282-
	SWING	31M9-11011	XKCC-00339	-	#0001-1281
		31M9-11012			#1282-

*¹With cover

*²Without cover

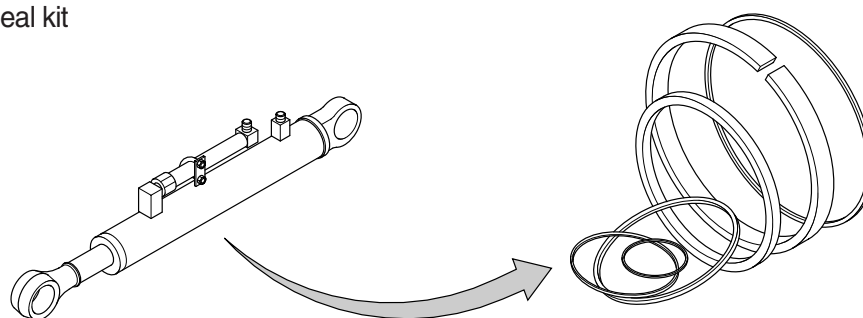
Cylinder assy & seal kit



Wheel loader

Model	Parts name	Assy p/no	Seal kit p/no	Applicable serial no.
HL17	BOOM(LH)	31L3-0016	91L3-2711	#0001-0297
	BOOM(RH)	31L3-0017		
	BOOM(LH)	31L3-03980	31Y2-00630	#0298-
	BOOM(RH)	31L3-03990		
	BUCKET	31L3-0018	91L3-2713	#0001-0295
		31L3-04000	31Y2-00750	#0296-
	STEERING(LH)	31L3-0019	91L3-2712	#0001-0297
	STEERING(RH)	31L3-0020		
	STEERING(LH)	31L3-04010	31Y2-00900	#0298-
STEERING(RH)	31L3-04020			
HL25	BOOM(LH)	31L2-1051	91L2-2711	#0001-0272
	BOOM(RH)	31L2-1052		
	BOOM(LH)	31L4-01750	31Y2-01080	#0273-
	BOOM(RH)	31L4-01760		
	BUCKET	31L2-1053	91L2-2713	#0001-0272
		31L4-01770	31Y2-01250	#0273-
	STEERING	31L2-1054	91L2-2712	#0001-0272
		31L4-01780	31Y2-01390	#0273-
HL35	BOOM(LH)	31L1-1051	91L1-2711	#0001-0300, #0303-0344, #0357-0361, #0372-0376, #0383-0388, #0396-0402, #0409-0414
	BOOM(RH)	31L1-1052		
	BOOM(LH)	31L1-1057		
	BOOM(RH)	31L1-1058		
	BOOM(LH)	31L1-01850	31Y2-01570	#0301, #0302, #0345-0356, #0362-0371, #0377-0382, #0389-0395, #0403-0408, #0415-
	BOOM(RH)	31L1-01860		
	BUCKET	31L1-1053	91L1-2713	#0001-0300, #0303-0344, #0357-0361, #0368-0376, #0383-0388, #0396-0402, #0409-0414
		31L1-01870	31Y2-01710	#0301, #0302, #0345-0356, #0362-0367, #0337-0382, #0389-0395, #0403-0408, #0415-
	STEERING(LH)	31L1-1054	91L1-2712	#0001-0300, #0303-0353, #0357-0361, #0372-0376, #0383-0388, #0396-0402, #0409-0414
	STEERING(RH)	31L1-1055		
	STEERING(LH)	31L1-10630	31Y2-01860	#0301, #0302, #0354-0356, #0362-0371, #0377-0382, #0389-0395, #0403-0408, #0415-
	STEERING(RH)	31L1-10640		

Cylinder assy & seal kit



Wheel loader

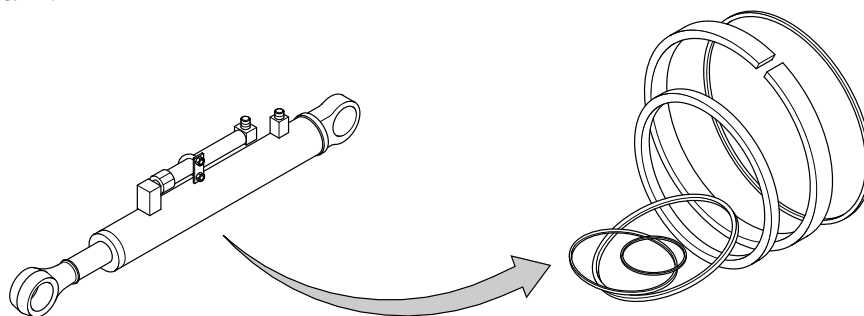
Model	Parts name	Assy p/no	Seal kit p/no	Applicable serial no.
HL720-3	BOOM(LH)	31L9-20011	31Y2-04930	#0001-
	BOOM(RH)	31L9-20021		
	BUCKET	31L9-20032	31Y2-05070	#0001-
		31L9-20140* ¹		#0034-
	STEERING(LH)	31L9-30071	31Y2-05310	#0001-0039
	STEERING(RH)	31L9-30081		
	STEERING(LH)	31L9-30072	31Y2-05311	#0040-
STEERING(RH)	31L9-30082			
HL730-3	BOOM(LH)	31L8-20011	31Y2-04281	#0001-0150
	BOOM(RH)	31L8-20021		
	BOOM(LH)	31L8-20012		
	BOOM(RH)	31L8-20022		
	BUCKET	31L8-20032	31Y2-03751	#0001-0033
		31L8-20033		#0034-
		31L8-20380* ¹	31Y2-06940	#0160-
	STEERING(LH)	31L8-30111	31Y2-05310	#0001-0155
	STEERING(RH)	31L8-30121		
	STEERING(LH)	31L8-30112	31Y2-05311	#0156-
STEERING(RH)	31L8-30122			
HL730TM-3	BOOM(LH)	31L8-20012	31Y2-04281	#0001-
	BOOM(RH)	31L8-20022		
	BUCKET(LH)	31L8-20211	31Y2-06520	#0001-
	BUCKET(RH)	31L8-20221		
	STEERING(LH)	31L8-30111	31Y2-05310	#0001-0019
	STEERING(RH)	31L8-30121		
	STEERING(LH)	31L8-30112	31Y2-05311	#0020-
	STEERING(RH)	31L8-30122		
	QUICK COUPLER	31L7-20201* ²	31Y2-05920	#0001-0024
31L7-20202* ²		#0025-		
31L8-20390* ³		31Y2-06940	#0025-	
HL730-7	BOOM(LH)	31LG-20011	31Y2-04281	#0001-
	BOOM(RH)	31LG-20021		
	BUCKET	31LG-20031	31Y2-03751	#0001-
		31LG-20270* ¹		
	STEERING(LH)	31LG-30010	31Y2-05311	#0001-
STEERING(RH)	31LG-30020			

*¹High lift(XTD) only

*²HHI Type

*³VOLVO Type

Cylinder assy & seal kit



Wheel loader

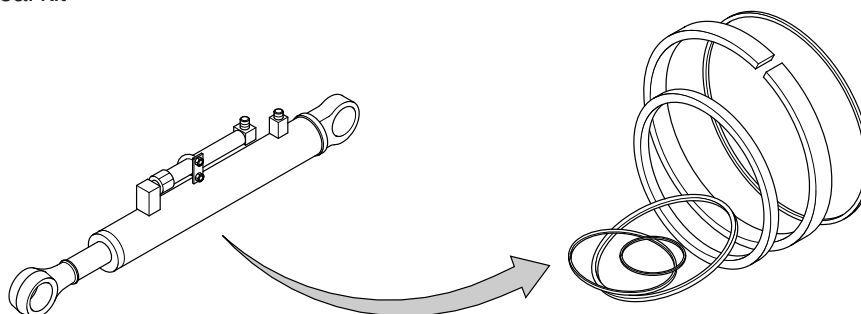
Model	Parts name	Assy p/no	Seal kit p/no	Applicable serial no.
HL730-7	QUICK COUPLER* ³	31LF-21000	31Y2-05920	#0001-0256
		31LF-21001		#0257-0337
		31LF-21501		#0338-
HL730-7A	BOOM(LH)	31LG-20011	31Y2-04281	-
	BOOM(RH)	31LG-20021		
	BUCKET	31LG-20031	31Y2-03751	-
		31LG-20270* ¹		
	STEERING(LH)	31LG-30010	31Y2-05311	-
	STEERING(RH)	31LG-30020		
	QUICK COUPLER* ³	31LF-21500	31Y2-05920	-#0004
31LF-21501		#0005-		
HL730-9	BOOM(LH)	31LP-20110	31Y2-12620	#0001-
	BOOM(RH)	31LP-20120		
	BUCKET	31LP-20101	31Y2-12450	#0001-
		31LP-20530* ¹		
	STEERING(LH)	31LP-30020	XKCC-00551	#0001-
	STEERING(RH)	31LP-30030		
HL730TM-7	BOOM(LH)	31LG-20011	31Y2-04281	#0001-
	BOOM(RH)	31LG-20021		
	BUCKET(LH)	31LG-20120	31Y2-06520	#0001-
	BUCKET(RH)	31LG-20130		
	STEERING(LH)	31LG-30010	31Y2-05311	#0001-
	STEERING(RH)	31LG-30020		
	QUICK COUPLER	31L7-20202* ²	31Y2-05920	#0001-0133
		31LF-21501* ²		#0134-
		31LF-21000* ³		#0085-0133
31LF-21001* ³		#0134-		
HL730TM-7A	BOOM(LH)	31LG-20011	31Y2-04281	-
	BOOM(RH)	31LG-20021		
	BUCKET(LH)	31LG-20310	31Y2-06520	-
	BUCKET(RH)	31LG-20320		

*¹High lift(XTD) only

*²HHI Type

*³VOLVO Type

Cylinder assy & seal kit



Wheel loader

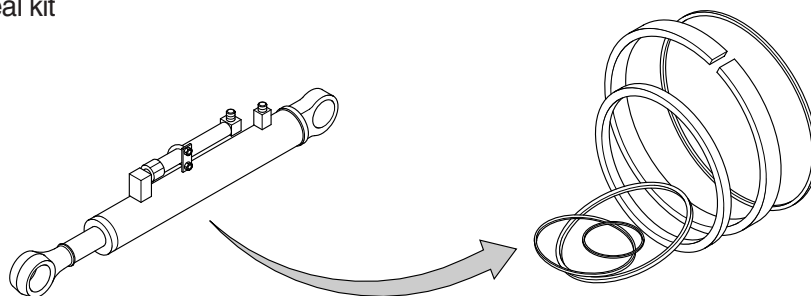
Model	Parts name	Assy p/no	Seal kit p/no	Applicable serial no.
HL730TM-7A	STEERING(LH)	31LG-30010	31Y2-05311	-
	STEERING(RH)	31LG-30020		
	QUICK COUPLER	31LF-21511* ² 31LF-21501* ³	31Y2-05920	-
HL730TM-9	BOOM(LH)	31LP-20110	31Y2-12620	#0001-
	BOOM(RH)	31LP-20120		
	BUCKET(LH)	31LP-20300	XKCC-00631	#0001-
	BUCKET(RH)	31LP-20310		
	STEERING(LH)	31LP-30020	XKCC-00551	#0001-
	STEERING(RH)	31LP-30030		
	QUICK COUPLER	31LF-21511	31Y2-05920	#0001-
HL740-3	BOOM(LH)	31L7-00070	31Y2-30751	#0001-
	BOOM(RH)	31L7-00080		
	BUCKET	31L7-00091	31Y2-03921	#0001-0177
		31L7-00092		#0178-
		31L7-20460* ¹		#0255-
	STEERING(LH)	31L7-00101	31Y2-04062	#0001-0209
	STEERING(RH)	31L7-00111		
	STEERING(LH)	31L7-30201	31Y2-04062	#0210-
	STEERING(RH)	31L7-30211		
HL740TM-3	BOOM(LH)	31L7-20162	31Y2-03751	#0001-0168
	BOOM(RH)	31L7-20172		
	BOOM(LH)	31L7-20163		
	BOOM(RH)	31L7-20173		
	BUCKET(LH)	31L7-20180	31Y2-05790	#0001-
	BUCKET(RH)	31L7-20190		
	STEERING(LH)	31L7-00101	31Y2-04062	#0001-0009
	STEERING(RH)	31L7-00111		
	STEERING(LH)	31L7-30201		
	STEERING(RH)	31L7-30211		
	QUICK COUPLER	31L7-20201* ²	31Y2-05920	#0001-0185
		31L7-20202* ²		#0186-
31L7-20540* ³		#0133-		

*¹High lift(XTD) only

*²HHI Type

*³VOLVO Type

Cylinder assy & seal kit



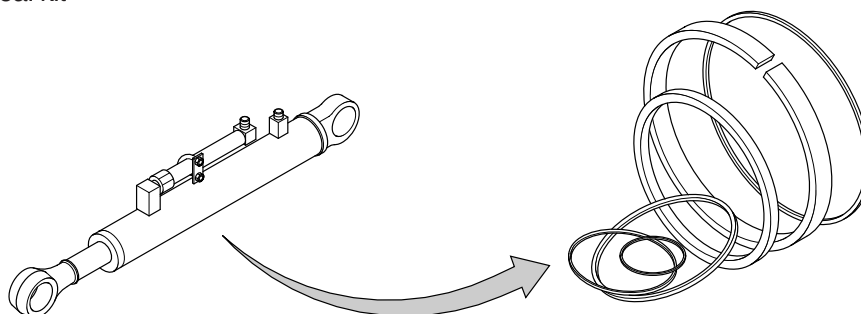
Wheel loader

Model	Parts name	Assy p/no	Seal kit p/no	Applicable serial no.
HL740-7	BOOM(LH)	31LF-20011	31Y2-03751	-#0001-0044
	BOOM(RH)	31LF-20021		#0045-
	BOOM(LH)	31LF-20410		
	BOOM(RH)	31LF-20420		
	BUCKET	31LF-20031	31Y2-08080	
		31LF-20390* ¹		
	STEERING(LH)	31LF-30020	31Y2-04062	#0001-
	STEERING(RH)	31LF-30030		
QUICK COUPLER* ³	31LF-21000	31Y2-05920	#1144 #1145-1205 #1206-	
	31LF-21001			
	31LF-21501			
HL740-7A	BOOM(LH)	31LF-20410	31Y2-03751	#0001-
	BOOM(RH)	31LF-20420		
	BUCKET	31LF-20031	31Y2-08080	#0001-
		31LF-20390* ¹		
	STEERING(LH)	31LF-30020	31Y2-04062	#0001-
	STEERING(RH)	31LF-30030		
	QUICK COUPLER* ³	31LF-21500	31Y2-05920	#0019 #0020-
31LF-21501				
HL740TM-7A	BOOM(LH)	31LF-20410	31Y2-03751	#0001-
	BOOM(RH)	31LF-20420		
	BUCKET	31LF-20170	31Y2-05790	#0001-
		31LF-20180		
	STEERING(LH)	31LF-30020	31Y2-04062	#0001-
	STEERING(RH)	31LF-30030		
	QUICK COUPLER	31LF-21510	31Y2-05920	#0001-
QUICK COUPLER* ³	31LF-21500	31Y2-05920	#0001-0006 #0007	
	31LF-21501			
HL740-9	BOOM(LH)	31LN-20020	31Y2-11800	#0001-
	BOOM(RH)	31LN-20030		
	BUCKET	31LN-20011	31Y2-11980	#0001-
		31LN-20530* ¹		
	STEERING(LH)	31LN-30020	XKCC-00140	#0001-
	STEERING(RH)	31LN-30030		
	QUICK COUPLER* ³	31LF-21501	31Y2-05920	#0047-

*High lift(XTD) only

*³VOLVO Type

Cylinder assy & seal kit



Wheel loader

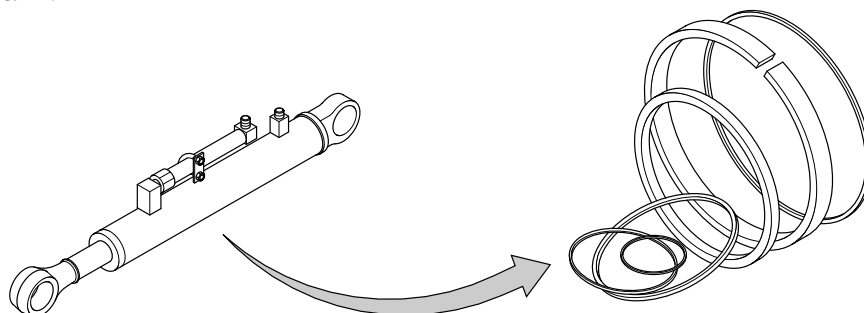
Model	Parts name	Assy p/no	Seal kit p/no	Applicable serial no.		
HL740TM-7	BOOM(LH)	31LF-20011	31Y2-03751	#0030		
		31LF-20021				
	BOOM(RH)	31LF-20410		#0031-		
		31LF-20420				
	BUCKET(LH)	31LF-20170	31Y2-05790	#0001-		
	BUCKET(RH)	31LF-20180				
	STEERING(LH)	31LF-30020	31Y2-04062	#0001-		
	STEERING(RH)	31LF-30030				
	QUICK COUPLER* ²	31L7-20202	31Y2-05920	#0404		
					31L7-20203	#0405-0412
					31LF-21511	#0413-
		QUICK COUPLER* ³	31LF-21000	31Y2-05920	#0261-0404	
31LF-21001	#0405-0412					
	31LF-21501		#0413-			
HL740TM-9	BOOM(LH)	31LN-20020	31Y2-11800	#0001-		
	BOOM(RH)	31LN-20030				
	BUCKET(LH)	31LN-20610	XKCC-00140	#0001-		
	BUCKET(RH)	31LN-20620				
	STEERING(LH)	31LN-30020	XKCC-00140	#0001-		
	STEERING(RH)	31LN-30030				
	QUICK COUPLER* ³	31LF-21511	31Y2-05920	#0001-		
HL750	BOOM(LH)	34L3-00012	31Y2-01990	#0001-		
	BOOM(RH)	34L3-00022				
	BUCKET	34L3-00032	31Y2-02180	#0001-0248, #0269, #0270, #0272-0274, #0290, #0292		
		34L3-00033		#0249-0268, #0271, #0275-0289, #0291, #0293-1056		
		34L3-00034		#1057-		
		34L3-02220* ¹		#1144-		
	STEERING(LH)	34L3-00041	31Y2-02310	#0001-1000		
	STEERING(RH)	34L3-00051				
	STEERING(LH)	34L3-00042	31Y2-04062	#1001-1178		
	STEERING(RH)	34L3-00052				
	STEERING(LH)	34L3-00043	31Y2-04062	#1179-		
STEERING(RH)	34L3-00053					

*¹High lift(XTD) only

*²HHI Type

*³VOLVO Type

Cylinder assy & seal kit



Wheel loader

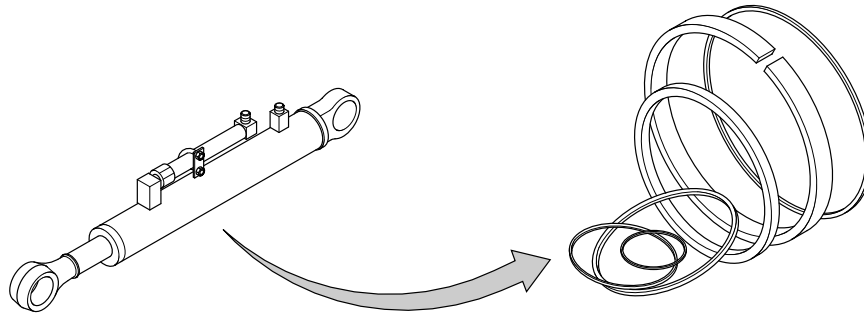
Model	Parts name	Assy p/no	Seal kit p/no	Applicable serial no.
HL750TM	BOOM(LH)	34L3-01870	31Y2-06260	#0001-
	BOOM(RH)	34L3-01880		
	BUCKET(LH)	34L3-01891	31Y2-06251	#0001-
	BUCKET(RH)	34L3-01901		
	STEERING(LH)	34L3-00042	31Y2-04062	#0001-0021
	STEERING(RH)	34L3-00052		
	STEERING(LH)	34L3-00043	31Y2-04062	#0022-
	STEERING(RH)	34L3-00053		
	QUICK COUPLER	31L7-20201* ²	31Y2-05920	#0001-0021
31L7-20202* ²				
31L7-20540* ³				
HL757-7	BOOM(LH)	31LD-20011	31Y2-06260	#0001-
	BOOM(RH)	31LD-20021		
	BUCKET	31LD-20031	31Y2-07430	#0001-
		31LD-20160* ¹		
	STEERING(LH)	31LD-30030	31Y2-07590	#0001-
	STEERING(RH)	31LD-30040		
	QUICK COUPLER* ³	31LF-21501	31Y2-05920	#1440-
HL757-9	BOOM(LH)	31LM-20010	31Y2-10700	#0001-
	BOOM(RH)	31LM-20020		
	BUCKET	31LM-20031	31Y2-10880	#0001-
		31LM-20530* ¹		
	STEERING(LH)	31LM-30010	XKCC-00170	#0001-
STEERING(RH)	31LM-30020			
HL757-7A	BOOM(LH)	31LD-20011	31Y2-06260	#0001-
	BOOM(RH)	31LD-20021		
	BUCKET	31LD-20420	31Y2-07430	#0001-
	BUCKET* ¹	31LD-20430		
	STEERING(LH)	31LD-30110	31Y2-10430	#0001-
	STEERING(RH)	31LD-30120		
	QUICK COUPLER* ³	31LF-21001	31Y2-05920	#0248-0370
		31LF-21501		#0371-

*High lift(XTD) only

**HHI Type

**VOLVO Type

Cylinder assy & seal kit

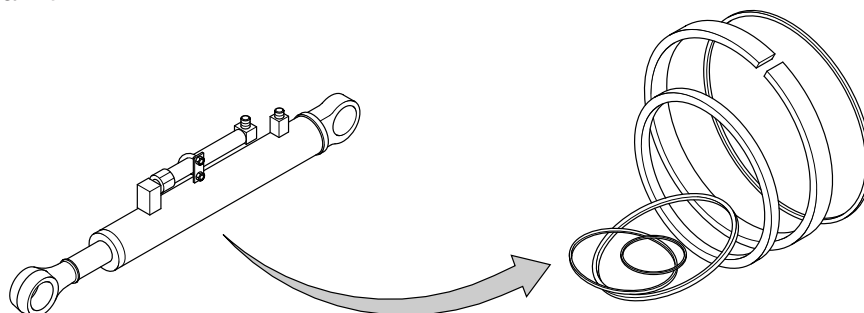


Wheel loader

Model	Parts name	Assy p/no	Seal kit p/no	Applicable serial no.	
HL757TM-7A	BOOM(LH)	31LD-20011	31Y2-06260	#0001-	
	BOOM(RH)	31LD-20021			
	BUCKET(LH)	31LD-20490	31Y2-06251	#0001-	
	BUCKET(RH)	31LD-20500			
	STEERING(LH)	31LD-30110	31Y2-10430	#0001-	
	STEERING(RH)	31LD-30120			
	QUICK COUPLER	31LD-21511	31Y2-05920	#0001-	
HL757TM-7	BOOM(LH)	31LD-20011	31Y2-06260	#0001-	
	BOOM(RH)	31LD-20021			
	BUCKET(LH)	31LD-20170	31Y2-06251	#0001-	
	BUCKET(RH)	31LD-20180			
	STEERING(LH)	31LD-30030	31Y2-07590	#0001-	
	STEERING(RH)	31LD-30040			
	QUICK COUPLER		31LD-20340	31Y2-05920	-#0105
		31LD-20341	#0106-0110		
		31LD-21511	#0111-		
HL757TM-9	BOOM(LH)	31LM-20010	31Y2-10700	#0001-	
	BOOM(RH)	31LM-20020			
	BUCKET(LH)	31LM-20490	XKCC-00283	#0001-	
	BUCKET(RH)	31LM-20500			
	STEERING(LH)	31LM-30010	XKCC-00170	#0001-	
	STEERING(RH)	31LM-30020			
	QUICK COUPLER	31LD-21511	31Y2-05920	#0001-	
HL760	BOOM(LH)	34L4-00020	31Y2-02490	#0001-	
	BOOM(RH)	34L4-00030			
	BUCKET		34L4-00040	31Y2-02600	#0001-0181
			34L4-00041		#0182-1055
			34L4-00042		#1056-
			34L4-01790*1		#1150-
STEERING	34L4-00050	31Y2-02690	#0001-		

*High lift(XTD) only

Cylinder assy & seal kit



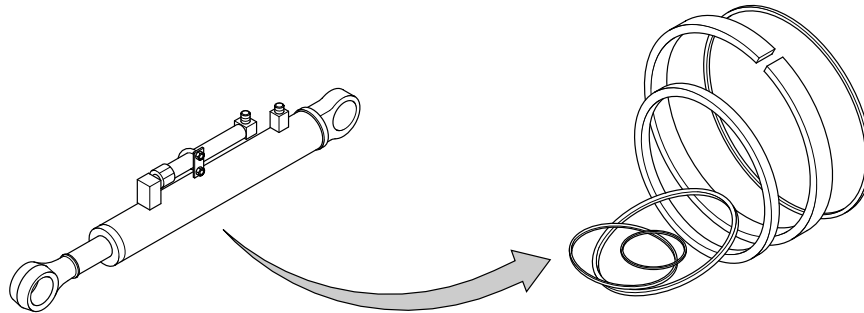
Wheel loader

Model	Parts name	Assy p/no	Seal kit p/no	Applicable serial no.	
HL760-7	BOOM(LH)	31LC-20010	31Y2-07660	#0001-	
	BOOM(RH)	31LC-20020			
	BUCKET	31LC-20030	31Y2-07770	#0001-	
		31LC-20120* ¹			
	STEERING(LH)	31LC-30020	31Y2-07860	#0001-	
	STEERING(RH)	31LC-30030			
	QUICK COUPLER* ³	31LF-21000	31Y2-05920	-#1194	
		31LF-21001		#1195-1255	
31LF-21501		#1256-			
HL760-9	BOOM(LH)	31LL-20010	31Y2-11050	#0001-	
	BOOM(RH)	31LL-20020			
	BUCKET	31LL-20031	31Y2-11240	#0001-	
		31LL-20530* ¹			
	STEERING(LH)	31LL-30020	XKCC-00225	#0001-	
STEERING(RH)	31LL-30030				
HL770	BOOM(LH)	34L1-00041	31Y2-02860	#0001-0208, #0210-0220, #0251-0253, #0262	
	BOOM(RH)	34L1-00051		#0001-0208, #0210-0220	
	BOOM(LH)	34L1-00042	31Y2-02860	#0209, #0221-0250, #0254-0261, #0263-	
	BOOM(RH)	34L1-00052		#0209, #0221-	
	BUCKET	34L1-00061	31Y2-02970	#0001-1050	
		34L1-00062		#1051-	
		34L1-02900* ¹		#1112-	
	STEERING(LH)	34L1-00072	31Y2-03030	#0001-	
STEERING(RH)	34L1-00081				
HL770-7 HL770-7A	BOOM(LH)	31LB-20110	31Y2-02860	#0001-	
	BOOM(RH)	31LB-20120			
	BUCKET	31LB-20010	31Y2-02970	#0001-	
	BUCKET* ¹	31LB-20370		#0084-	
	STEERING(LH)	31LB-30010	31Y2-08270	#0001-	
	STEERING(RH)	31LB-30020			
	QUICK COUPLER* ³	31LB-21000	31Y2-10510	-#0232	HL770-7A
		31LB-21500		#0233-0321	HL770-7A
31LB-21501		#0322-		HL770-7A	

*High lift(XTD) only

*³VOLVO Type

Cylinder assy & seal kit

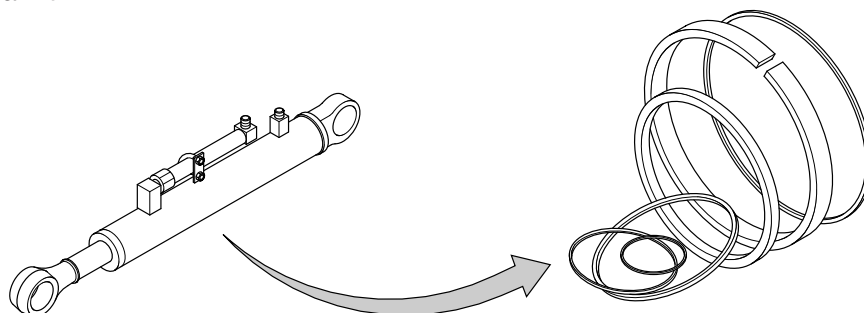


Wheel loader

Model	Parts name	Assy p/no	Seal kit p/no	Applicable serial no.
HL770-9	BOOM(LH)	31LK-20010	31Y2-11420	#0001-
	BOOM(RH)	31LK-20020		
	BUCKET	31LK-20031	31Y2-11590	#0001-
		31LK-20530*1		
	STEERING(LH)	31LK-30030	DSK-H002266	#0001-
	STEERING(RH)	31LK-30020		
HL780-3	BOOM(LH)	31L6-00062	31Y2-03180	#0001-
	BOOM(RH)	31L6-00072		
	BUCKET(LH)	31L6-00082	31Y2-03400	#0001-0131
	BUCKET(RH)	31L6-00092		
	BUCKET(LH)	31L6-02610*1		#0001-0131
	BUCKET(RH)	31L6-02620*1		
	BUCKET(LH)	31L6-03170		#0132-
	BUCKET(RH)	31L6-03180		
	STEERING(LH)	31L6-00100	31Y2-03580	#0001-
	STEERING(RH)	31L6-00110		
HL780-3A	BOOM(LH)	31L6-00062	31Y2-03180	#0001-
	BOOM(RH)	31L6-00072		
	BUCKET(LH)	31L6-03170	31Y2-03400	#0001-
	BUCKET(RH)	31L6-03180		
	STEERING(LH)	31L6-00100	31Y2-03580	#0001-
	STEERING(RH)	31L6-00110		
HL780-7A	BOOM(LH)	31LH-20010	31Y2-03180	#0001-
	BOOM(RH)	31LH-20020		
	BUCKET(LH)	31LH-20030	31Y2-03400	#0001-
	BUCKET(RH)	31LH-20040		
	BUCKET(LH)*1	31LH-20240		
	BUCKET(RH)*1	31LH-20250		
	STEERING(LH)	31LH-30080	31Y2-03580	#0001-
	STEERING(RH)	31LH-30090		

*High lift(XTD) only

Cylinder assy & seal kit

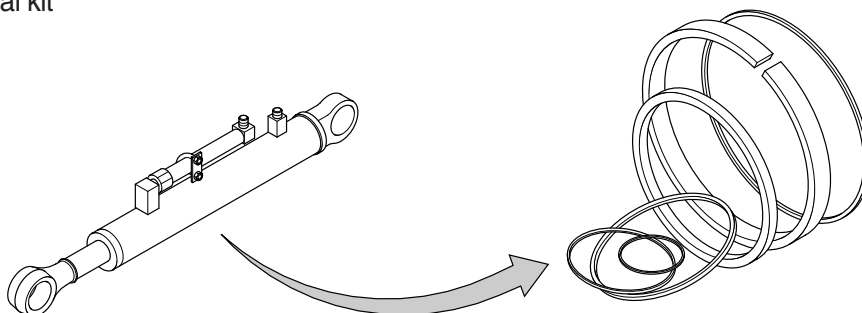


Wheel loader

Model	Parts name	Assy p/no	Seal kit p/no	Applicable serial no.
HL780-9	BOOM(LH)	31LQ-20010	31Y2-12150	#0001-
	BOOM(RH)	31LQ-20020		
	BUCKET(LH)	31LQ-20031	31Y2-12320	#0001-
	BUCKET(RH)	31LQ-20041		
	BUCKET(LH)	31LQ-20530* ¹		
	BUCKET(RH)	31LQ-20540* ¹		
	STEERING(LH)	31LQ-30090	XKCC-00285	#0001-
	STEERING(RH)	31LQ-30100		

*High lift(XTD) only

Cylinder assy & seal kit



Crawler Dozer

Model	Parts name	Assy p/no	Seal kit p/no	Applicable serial no.
H70 H70LGP	LIFT	35D1-10700	31Y4-00290	#0001-
	ANGLE	35D1-10713		
	TILT	35D1-10722		
H80 H80LGP	LIFT	35D2-10700	31Y4-00400	#0001-
	ANGLE(H80)	35D2-10740		
	ANGLE(H80LGP)	35D2-10712		
	LIFT	35D2-10721		

Skid steer loader

Model	Parts name	Assy p/no	Seal kit p/no	Applicable serial no.
HSL610	LIFT	31S4-10061	31Y2-00480	#0001-
	TILT	31S1-1007	31Y2-00510	#0001-
HSL650-7	LIFT	31S8-20010	31Y2-10030	#0001-
	TILT	31S8-20020	31Y2-10130	#0001-
	PARKING	31S5-00101	31Y2-07021	#0001-
	MP BUCKET(LH)	61S7-07010	XKCC-00365	#0749-
	MP BUCKET(RH)	61S7-07020		
HSL650-7A	LIFT	31S8-20010	31Y2-10030	#0001-
	TILT	31S8-20020	31Y2-10130	#0001-
	MP BUCKET(LH)	61S7-07010	XKCC-00365	#0001-
	MP BUCKET(RH)	61S7-07020		
HSL810	LIFT	31S5-00060	31Y2-04640	#0001-
	TILT	31S5-00070	31Y2-04750	#0001-
HSL850-7	LIFT	31S7-20010	31Y2-04640	#0001-
	TILT	31S7-20021	31Y2-04751	#0001-
	PARKING	31S5-00101	31Y2-07021	#0001-
	MP BUCKET(LH)	61S7-07010	XKCC-00365	#1098-
	MP BUCKET(RH)	61S7-07020		
HSL850-7A	LIFT	31S7-20010	31Y2-04640	#0001-
	TILT	31S7-20021	31Y2-04751	#0001-
	MP BUCKET(LH)	61S7-07010	XKCC-00365	#0001-
	MP BUCKET(RH)	61S7-07020		