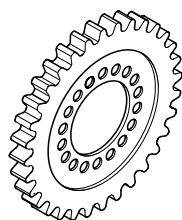
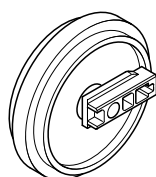


Undercarriage

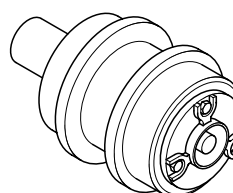
Sprocket



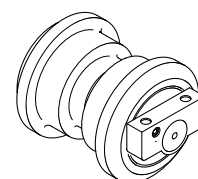
Idler



Upper roller



Lower roller



Hydraulic excavator

Model	Sprocket		Idler		Upper roller		Lower roller	
	Part no.	Qty	Part no.	Qty	Part no.	Qty	Part no.	Qty
R16-9	81MJ-10010	1	81MJ-13010 81MJ-13011	-#0027 #0028- 1	-		81MJ-11010 81MJ-11011	-#0027 #0028- 4
R27Z-9	81MK-10011	1	81MK-13010 81MK-13011	-#0036 #0037- 1	81MK-12010	1	81MK-11011 81MK-11012	-#0036 #0037- 1
R35Z-7	81MH-10010	1	81MH-13051* ² 81MH-13052* ² 81MH-13020 81MH-13021	-#0327 #0328- -#0327 #0328- 1	81MH-12010	1	81MH-11010* ² 81MH-11020	4
R35Z-9	81MH-10010GG	1	81MH-13052GG* ² 81MH-13021GG	1	81MH-12010GG	1	81MH-11010GG* ² 81MH-11020GG	1
R35Z-7A	81MH-10010	1	81MH-13051* ² 81MH-13052* ² 81MH-13020 81MH-13021	-#0006 #0007- -#0006 #0007- 1	81MH-12010	1	81MH-11010* ² 81MH-11020	4
R55-3	81M5-52000 81M6-57010 81M7-57010	-#0612 #0613-0919 #0920- 1	81M5-53000 81M6-53000	-#0919 #0920- 1	81M6-55000 81M7-55000 81M7-55100	-#0919 #0920-1361 #1362- 1	81M6-55000 81M7-55000 81M7-55100	-#0919 #0920-1361 #1362- 5
R55-7	81M8-10010 81M8-10011 81M9-10010	-#2099 #2100-3289 #3290- 1	81M5-53000 81M9-13010	-#3289 #3290- 1	81M8-11010 81M8-12010* ²	1	81M8-11010 81M8-12010* ²	5
R55-7A	81M8-10011 81M9-10010 81M8-10010* ² 81M9-10010* ²	-#0150 #0151- -#0150 #0151- 1	81M5-53000 81M9-13010 81M6-53000* ² 81M9-13050* ²	-#0150 #0151- -#0150 #0151- 1	81M8-11011 81M8-12010* ²	1	81M8-11011 81M8-12010* ²	5
R55-9	81M9-10010GG* ² 81M8-10010GG	1	81M9-13010	1	81M8-11011GG 81M8-12011GG* ²	1	81M8-11011GG 81M8-12011GG* ²	6
R80-7	81N1-10010 81N1-10011	-#0063 #0064- 1	81N1-13010 81N1-13050* ²	#00021-#0250 1	81N1-12010	#0001- 1	81N1-11010 81N1-11050* ²	#0021- 5
R80-7A	81N1-10011	1	81N1-13010 81N1-13050* ²	-#0032 1	81N1-12010	1	81N1-11010 81N1-11050* ²	5
R110-7	81N3-10010 81N3-10011 81N3-10011BG	-#0272 #0273-0457 #0458- 1	81N3-13010 81N3-13011 81N3-13011BG	-#0380 #0381-0457 #0458- 1	81N3-12010 81N3-12010BG	-#0457 #0458- 1	81N3-11010 81N3-11010BG	-#0457 #0458- 6
R110-7A	81N3-10011BG	1	81N3-13010	1	81N3-12010BG	1	81N3-11010BG	6
R130LC	81E6-2001	1	81E6-2004	1	81E6-2003	1	81E6-2002	7
R130LC-3	81E6-2001 81E6-10050 81E6-10051 81E6-10052	-#1563 #1564-1847 #1848-1896 #1897- 1	81E6-2004	1	81E6-2003	1	81E6-2002	7
R130LCM-3	81E6-2001* ¹ 81EL-20080* ¹ E181-2001* ¹ E181-20011* ¹ E181-20012* ¹	-#0630 #0631-1563 #1564-1847 #1848-1896 #1897- 1	81EM-14010* ¹	1	E181-2002* ¹	2	E181-2002* ¹	7
R140LC-7	81E6-10052 81E6-10053 81E6-10053BG	-#2416 #2417-2947 #2948- 1	81N4-13010 81N4-13010BG	-#2947 #2948- 1	81E6-2003 81E6-2003BG 81E6-20031BG	-#2947 #2948-3130 #3131- 1	81E6-2002 81E6-2002BG	-#2947 #2948- 7
R140LCM-7	E181-20012* ¹ E181-20013* ¹ E181-20013BG* ¹	#0239-2416 #2417-2947 #2948- 1	81EM-14010* ¹ 81EM-14010BG* ¹	#0239-2947 #2948- 1	E181-2002* ¹ E181-2002BG* ¹	#0239-2947 #2948- 2	E181-2002* ¹ E181-2002BG* ¹	#0239-2947 #2948- 7
R140LC-7A	81E6-10053BG E181-20013BG* ¹	1	81N4-13010BG 81EM-10040BG* ¹	1	81E6-2003BG 81E6-20031BG E181-2002BG* ¹	-#0373 #0374- 1	81E6-2002BG E181-2002BG* ¹	7

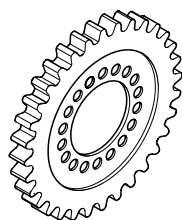
*Qty is each side

*¹High walker

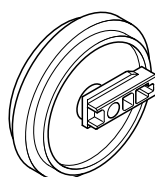
*²Rubber track

Undercarriage

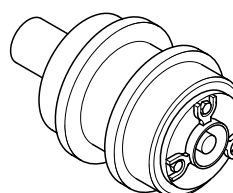
Sprocket



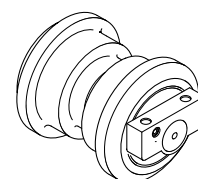
Idler



Upper roller



Lower roller



Hydraulic excavator

Model	Sprocket		Idler		Upper roller		Lower roller	
	Part no.	Qty	Part no.	Qty	Part no.	Qty	Part no.	Qty
R140LC-9	81Q4-10010	1	81N4-13010GG	1	81E6-20031GG	2	81E6-2002GG	7
R145CR-9	81Q4-10010	1	81N4-13010GG	1	81E6-20031GG 81E6-20031GG* ³	2 4	81E6-2002GG	7
R160LC-3	81EG-10090 81EG-10050 81EG-10051 81EG-10052	-#0241 #0242-0442 #0443-0447 #0448-	81EM-14010	1	81EM-10030	2	81EM-10020	7
R160LC-7	81N5-10010 81N5-10011 81N5-10011BG	-#0666 #0667-0900 #0901-	81N6-13010 81N6-13010BG	-#0900 #0901-	81EM-10030 81EM-10030BG 81EM-10031BG	-#0900 #0901-1012 #1013-	E181-2002 E181-2002BG	-#0900 #0901-
R160LC-7A	81N5-10011BG		81N6-13010BG	1	81EM-10030BG 81EM-10031BG	-#0148 #0149-	E181-2002BG	7
R160LC-9	81Q5-10010	1	81N6-13010GG	1	81EM-10031GG	2	81N6-11010GG	7
R180LC-3	81EL-20080 81EL-10080 E181-2001 E181-20011 E181-20012	-#0168 #0169-0552 #0553-0626 #0627-0647 #0648-	81EM-14010	1	81EM-10030	2	81EM-10020	8
R180LC-7	E181-20012 E181-20013 E181-20013BG	-#0310 #0311-0445 #0446-	81N6-13010 81N6-13010BG	-#0445 #0446-	81EM-10030 81EM-10030BG 81EM-10031BG	-#0445 #0446-0470 #0471-	E181-2002 E181-2002BG	-#0445 #0446-
R180LC-7A	E181-20013BG	1	81N6-13010BG	1	81EM-10030BG 81EM-10031BG	-#0085 #0086-	E181-2002BG	8
R180LC-9	81Q5-10010	1	81N6-13010GG	1	81EM-10031GG	2	81N6-11010GG	8
R200LC	82E1-2001	1	E181-2004	1	E181-2003 81E1-20030	-#4159 #4160-	E181-2002	9
R210LC-3	81EM-10010 81EM-10011 81EM-10010* ¹ 81EM-10011* ¹	-#1799 #1800- #1799 #1800-	81EM-14010 81EM-14010* ¹	1	81EM-10030 81EM-10020* ¹	2	81EM-10020	9
R210LC-3LL	81EM-10010	1	81EM-14010	1	E181-2002	2	E181-2002	9
33HDLL	81E5-2001	1	81E9-20040	1	81E5-2002	2	81E5-2002 81N8-11010	-#0007 #0008-
R210LC-7	81EM-10010 81EM-10011 81EM-10012 81EM-10013 81EM-10013BG 81EM-10012* ¹ 81EM-10012BG* ¹	-#0055 #0056-0091 #0092-4781 #4782-7171 #7172- #0143-7171 #7172-	81N6-13010 81N6-13010BG	-#7171 #7172-	81EM-10030 81EM-10030BG	-#7171 #7172-	E181-2002 E181-2002BG	-#7171 #7172-
R210LC-7A	81EM-10013BG	1	81N6-13010BG	1	81EM-10030BG 81EM-10031BG	-#0569 #0570-	E181-2002BG E181-2002BG* ¹	9 11
R210LC-9	81EM-10013GG	1	81N6-13010GG	1	81EM-10031GG	2	81N6-11010GG 81N6-11010GG* ¹	9 #0094-
R235LCR-9	81EM-10013GG	1	81N6-13010GG	1	81EM-10031GG	2	81N6-11010GG	9
R210NLC-7	81EM-10012 81EM-10013 81EM-10013BG	-#0349 #0350-0514 #0515-	81N6-13010 81N6-13010BG	-#0514 #0515-	81EM-10030 81EM-10030BG	-#0514 #0515-	E181-2002 E181-2002BG	-#0514 #0515-
R210NLC-7A	81EM-10013BG	1	81N6-13010BG	1	81EM-10030BG 81EM-10031BG	-#0092 #0093-	E181-2002BG	9
R210NLC-9	81EM-10013GG	1	81N6-13010GG	1	81EM-10031GG	2	81N6-11010GG	9

※ Qty is each side

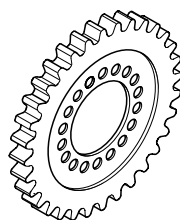
*¹High walker

*²700mm, 2bar

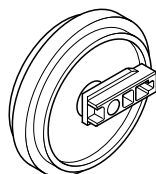
*³R145LCR-9

Undercarriage

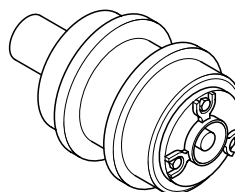
Sprocket



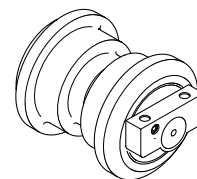
Idler



Upper roller



Lower roller



Hydraulic excavator

Model	Sprocket		Idler		Upper roller		Lower roller				
	Part no.	Qty	Part no.	Qty	Part no.	Qty	Part no.	Qty			
R250LC-3	81EN-10010 81EN-10011 81EN-10012 81E5-2001*1	-#0426 #0427-0465 #0466- #0466-	1	81EM-14010 81E9-20040*1	1	81EM-10030 81E5-2002*1	2	81EM-10020 81E5-2002*1 81N8-11010*1	-#0544 #0545- 9		
R250LC-7	81EN-10012 81EN-10013 81EN-10013BG 81N8-10012*1 81N8-10013*1 81N8-10013BG*1 81N8-10070BG*2	-#0693 #0694-1102 #1103- #0012-0693 #0694-1102 #1103- #1103-	1	81N6-13010 81N6-13010BG 81N8-13010*1 81N8-13010BG*1 81N8-13011BG*1	-#1102 #1103- #0012-1102 #1103-1620 #1621-	1	81EM-10030 81EM-10030BG 81EM-10031BG	-#1102 #1103-1456 #1457-	E181-2002 E181-2002BG 81N8-11010 81N8-11010BG 81N8-11011BG 81N8-11050BG*2	-#1102 #1103- #0012-1102 #1103-1608 #1609- #1103-	
R250LC-7A	81EN-10013BG 81N8-10070BG*1		1	81N6-13010BG 81N8-13010BG*1	1	81EM-10030BG 81EM-10031BG	-#0248 #0249-	E181-2002BG 81N8-11010BG*1	9 11		
R250LC-9	81EN-10013GG 81N8-10013GG*1 81N8-10070GG*2		1	81N6-13010GG	1	81EM-10031GG		81N6-11010GG 81N8-11010GG*1 81N8-11011GG*1 81N8-11050GG*2	-#0004 #0005- 11		
R280LC	E282-2001		1	E282-2004	1	E282-2103		E282-2102	9		
R290LC	81E5-2001		1	81E8-2004	1	81E5-2003		81E5-2002	9		
R290LC-3	81E5-2001 81E5-20010 81E5-20011 81E5-2001*1	-#0425 #0426-1346 #1347-	1	81E8-2004 81E9-20040 81E8-2004*1	-#1158 #1159-	1	81E5-2003 81E5-2002*1	2	81E5-2002 81E5-2002*1	9	
R290LC-3LL R290LC-3RB	81E5-2001		1	81E8-2004 81E9-20040	-#1158 #1159-	1	81E5-2002	2	81E5-2002	9	
42HDLL 39HDRB	81EH-10010		1	81EH-20070		1	81E7-00631	2	81E7-00631	9	
R290LC-7	81N8-10010 81N8-10011 81N8-10012 81N8-10013BG 81N8-10012*1 81N8-10013*1	-#0027 #0028-0043 #0044-1312 #1313- #0185-1312 #1313-	1	81N8-13010 81N8-13010BG	-#1312 #1313-	1	81E5-2003 81E5-2003BG	-#1312 #1313-	2	81N8-11010 81N8-11010BG	-#1312 #1313- 9
R290LC-7A	81N8-10012 81N8-10013 81N8-10013BG 81N8-10013*1 81N8-10070BG*1	-#0061 #0062-0284 #0285- #0062-0284 #0285-	1	81N8-13010 81N8-13010BG 81N8-13010*1 81N8-13010BG*1	-#0284 #0285- #0284 #0285	1	81E5-2003 81E5-2003BG 81N8-11050*1 81N8-11050BG*1	-#0284 #0285-2047 #0284 #0285-	2	81N8-11010 81N8-11010BG 81N8-11050*1 81N8-11050BG*1	-#0284 #0285-1338 #0284 #0285- 11
R290LC-9	81N8-10013GG 81N8-10013GG*1 81N8-10070GG*1*4	-#0008- #0008-	1	81N8-13010GG 81N8-13011GG	-#0602 #0603-	1	81E5-20031GG	2	81N8-11010GG 81N8-11011GG 81N8-11010GG*1 81N8-11011GG*1 81N8-11050GG*1*4	-#0045 #0046- #0008-0045 #0046- #0008- 11	
R290LC-7H	81N8-10012		1	81N8-13010		1	81E5-2003	2	81N8-11010	9	
R305LC-7	81N8-10012 81N8-10013 81N8-10013BG	-#0182 #0183-0363 #0364-	1	81N8-13010 81N8-13010BG	-#0363 #0364-#1062	1	81E5-2003 81E5-2003BG 81E5-20031BG	-#0363 #0364-0611 #0612-	2	81N8-11010 81N8-11010BG	-#0363 #0364- 9
R320LC	81E5-2001		1	81E8-2004		1	81E5-2003	2	81E5-2002	9	
R320LC-3	82E5-20010 82E5-20011 82E5-20012	-#0169 #0170-0171 #0172-	1	81E8-2004 81E9-20040	-#0170 #0171-	1	81E5-2003	2	81E5-2002 81N8-11010	-#0201 #0202- 9	

*Qty is each side

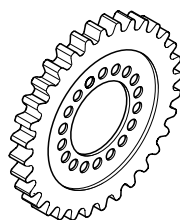
*1High walker

*2700mm, 2bar

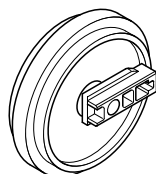
*3Used lower roller

*42bar

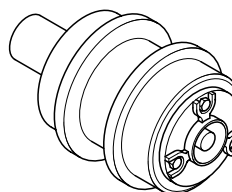
Sprocket



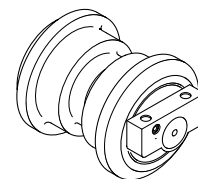
Idler



Upper roller



Lower roller



Hydraulic excavator

Model	Sprocket		Idler		Upper roller		Lower roller					
	Part no.	Qty	Part no.	Qty	Part no.	Qty	Part no.	Qty				
R320LC-7	81N8-10012	-#0779	81N8-13010	-#1118	81E5-2003	-#1118	81N8-11010	-#1118				
	81N8-10013	#0780-1118							81E5-2003BG	#1119-1449	81N8-11010BG	#1119-1758
	81N8-10013BG	#1119-							81E5-20031BG	#1450-	81N8-11010*1	#0008-1118
	81N8-10012*1	#0008-0779							81N8-13010*1	#0008-1118	81N8-11010*1	#0008-1118
	81N8-10013*1	#0780-1110							81N8-13010BG*1	#1119-	81N8-11010BG*1	#1119-
R320LC-7A	81N8-10012	-#0021	81N8-13010	-#0151	81E5-2003	-#0151	81N8-11010	-#0151				
	81N8-10013	#0022-0151	81N8-13010BG	#0152-	81E5-2003BG	#0152-0450	81N8-11010BG	#0152-0546				
	81N8-10012*1	-#0021	81N8-13010*1	-#0151	81N8-11010*1	-#0151	81N8-11010*1	-#0151				
	81N8-10013*1	#0022-0151	81N8-13010BG*1	#0152-	81N8-11010BG*1	#0152-	81N8-11010BG*1	#0152-				
	81N8-10070BG*1	#0152-										
R320LC-9	81N8-10013GG	1	81N8-13010GG	-#0014	81E5-20031GG	2	81N8-11010GG	9				
			81N8-13011GG	#0015-			81N8-11050GG*1	11				
R360LC-3	81EH-10010	-#0304	81EH-10050	-#0019	81E7-00521	2	81E7-00631	9				
	81EH-10011	#0305-0330	81E8-2004	#0020-0180								
	81EH-10012	#0331-	81EH-20070	#0181-								
R360LC-7	81EH-10012	-#0839	81EH-20070	-#0929	81E7-00521	-#0929	81E7-00631	-#0929				
	81EH-10013	#0840-0929	81EH-20070BG	#0930-	81E7-00521BG	#0930-	81E7-00631BG	#0930-				
	81EH-10013BG	#0930-										
R360LC-7A	81EH-10013	-#0077	81EH-20070BG	-#0530	81E7-00521	-#0077	81E7-00631	-#0077				
	81EH-10013BG	#0078-	81EH-20071BG	#0531-	81E7-00521BG	#0078-0297	81E7-00631BG	#0078-0487				
					81E7-00522BG	#0298-	81E7-00632BG	#0488-				
R380LC-9	81EH-10013GG	1	81EH-20070	-#0108	81E7-00522GG	2	81E7-00633GG	9				
			81EH-20071GG	#0109-								
R450LC	81E7-2001	1	81E7-0024	1	81E7-0016	3	81E7-0015	9				
R450LC-3	84E7-00011	-#1000	81E7-01030	1	81E7-00521	3	81E7-00631	9				
	84E7-00660	#1001-1305										
	84E7-00661	#1306-1330										
	84E7-00662	#1331-										
R450LC-7	84E7-00662	-#0595	81E7-01030	-#0758	81E7-00521	-#0758	81E7-00631	-#0758				
	84E7-00663	#0596-0758	81E7-01030BG	#0759-0805	81E7-00521BG	#0759-0832	81E7-00631BG	#0759-0961				
	84E7-00663BG	#0759-	81E7-01031BG	#0806-1035	81E7-00522BG	#0833-	81E7-00632BG	#0962-1305				
			81QB-13011BG	#1036-			81QB-11010BG	#1036-				
R450LC-7A	84E7-00662	-#0066	81E7-01030	-#0125	81E7-00521	-#0125	81E7-00631	-#0125				
	84E7-00663	#0067-0215	81E7-01030BG	#0126-0215	81E7-00521BG	#0126-0228	81E7-00631BG	#0126-0268				
	84E7-00663BG	#0126-	81E7-01031BG	#0216-0299	81E7-00522BG	#0229-	81E7-00632BG	#0269-0299				
			81QB-13011BG	#0300-			81QB-11010BG	#0300-				
R480LC-9	84E7-00663GG*2	1	81E7-01031GG	-#0027	81E7-00522GG	2	81E7-00633GG	-#0027				
	81QB-10050*3	#0032-	81QB-13011	#0028-			81QB-11010	#0028-				
R500LC-7	84E7-00662	-#0041	81E7-01030	-#0166	81E7-00521	-#0166	81E7-00631	#0051-0166				
	84E7-00663	#0042-0166	81E7-01030BG	#0167-0217	81E7-00521BG	#0167-0230	81E7-00631BG	#0167-0339				
	84E7-00663BG	#0167-	81E7-01031BG	#0218-0410	81E7-00522BG	#0231-	81E7-00632BG	#0340-0410				
			81QB-13011BG	#0411-			81QB-11010BG	#0411-				
R500LC-7A	84E7-00662	-#0031	81E7-01030	-#0062	81E7-00521	-#0062	81E7-00631	#0039-0062				
	84E7-00663	#0032-0062	81E7-01030BG	#0063-0110	81E7-00521BG	#0063-0120	81E7-00631BG	#0063-1165				
	84E7-00663BG	#0063-	81E7-01031BG	#0111-1211	81E7-00522BG	#0121-	81E7-00632BG	#1166-1211				
			81QB-13011BG	#1212-			81QB-11010BG	#1212-				
R520LC-9	84E7-00663GG*2	1	81QB-13010	-#0021	81E7-00522GG	3	81QB-11010	9				
	81QB-10050*3	#0026-	81QB-13011	#0022-	81E7-00522GG	#0023-						
R800LC-7A	81ND-10011	1	81ND-13010	1	81ND-12010	3	81ND-11010	9				

*Qty is each side

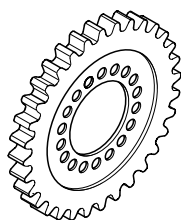
*1High walker

*2Travel motor type 1

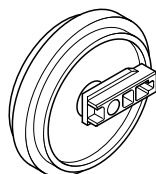
*3Travel motor type 2

Undercarriage

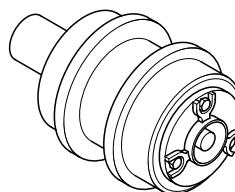
Sprocket



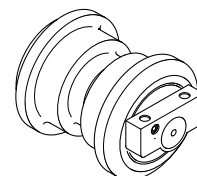
Idler



Upper roller



Lower roller



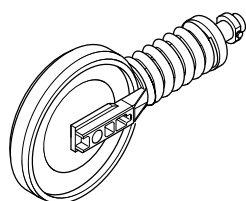
Crawler Dozer

Model	Sprocket		Idler		Upper roller		Lower roller	
	Part no.	Qty	Part no.	Qty	Part no.	Qty	Part no.	Qty
H70	85D1-70350(85D1-70050)*1	1(5)	85D1-70010	1	85D1-70040	1	85D1-70020(SINGLE) 85D1-70030(DOUBLE)	6 4
H70LGP	85D1-70350(85D1-70050)*1	1(5)	85D1-70010	1	85D1-70040	1	85D1-70020(SINGLE) 85D1-70030(DOUBLE)	8 4
H80	85D2-70050(85D2-70070)*1	1(5)	82D2-70010	1	82D2-70040	1	85D2-70020(SINGLE) 85D2-70030(DOUBLE)	6 4
H80LGP	85D2-70050(85D2-70070)*1	1(5)	82D2-70010	1	82D2-70040	1	85D2-70020(SINGLE) 85D2-70030(DOUBLE)	8 4

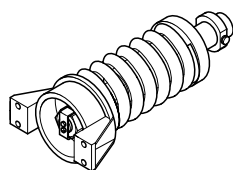
*1() : Segment Qty

Undercarriage

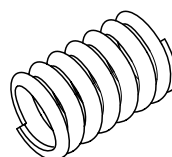
Adjust component



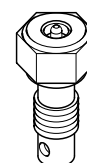
Adjust cylinder



Tension spring



Grease valve



Hydraulic excavator

Model	Adjust component		Adjust cylinder		Tension spring		Grease valve			
	Part no.	Qty	Part no.	Qty	Part no.	Qty	Part no.	Qty		
R16-9	81MJ-15011 81MJ-15012	-#0027 #0028-	1	81MJ-14011 81MJ-14012	-#0027 #0028-	1	81MJ-14120	1	81MJ-14240	1
R27Z-9	81MK-15010 81MK-15011	-#0036 #0037-	1	81MK-14010 81MK-14011	-#0036 #0037-	1	81MK-14220	1	81MK-14290	1
R35Z-7	81MH-15051(LH)*2 81MH-15061(RH)*2 81MH-15020 81MH-15030		1	81MH-14051(LH) 81MH-14061(RH)		1	81MH-14220	1	81EL-20090	1
R35Z-7A	81MH-15051(LH)*2 81MH-15061(RH)*2 81MH-15020 81MH-15030		1	81MH-14051(LH) 81MH-14061(RH)		1	81MH-14220	1	81EL-20090	1
R35Z-9	81MH-15051GG(LH)*2 81MH-15061GG(RH)*2 81MH-15020GG(LH) 81MH-15030GG(RH)		1	81MH-14051GG(LH) 81MH-14061GG(RH)		1	81MH-14220	1	81EL-20090	1
R55-3	81M6-57001 81M7-57000	-#0919 #0920-	1	-		1	81M5-56070	1	81EL-20090	1
R55-7	81M8-15010 81M9-15010 81M8-15050*2 81M9-15050*2	-#3289 #3290- #3289 #3290-	1	81M8-14010 81M8-14011	-#1571 #1572-	1	81M5-56070	1	81EL-20090	1
R55-7A	81M8-15010 81M9-15010 81M8-15050*2 81M9-15050*2	-#0150 #0151- -#0150 #0151-	1	81M8-14011 81M8-14051*2		1	81M5-56070	1	81EL-20090	1
R55-9	81M9-15010GG 81M9-15050*2		1	81M8-14011 81M8-14051*2		1	81M5-56070	1	81EL-20090	1
R80-7	81N1-15010 81N1-15011 81N1-15012 81N1-15051*2 81N1-15052*2	-#0020 #0021-0250 #0251- #0021-0250 #0251-	1	81N1-14010 81N1-14011 81N1-14051 81N1-14052	-#0020 #0021- -#0250 -#0251	1	81N1-14120 81N1-14121	-#0250 #0251-	E181-2013	1
R80-7A	81N1-15011 81N1-15012 81N1-15051*2 81N1-15052*2	-#0032 #0033- -#0032 #0033-	1	81N1-14011 81N1-15051*2 81N1-15052*2	-#0032 #0033-	1	81N1-14120 81N1-14121	-#0032 #0033-	E181-2013	1
R110-7	81N3-15010 81N3-15011 81N3-15011BG	-#0380 #0381-0457 #0458-	1	81N4-14011 81N4-14011BG	-#0457 #0458-	1	81E6-2012 81E6-2012BG	-#0457 #0458-	E181-2013	1
R110-7A	81N3-15010BG		1	81N4-14011BG		1	81E6-2012BG		E181-2013	1
R130LC	81E6-2006		1	81E6-2007		1	81E6-2012		E181-2013	1
R130LC-3	81E6-2006		1	81E6-2007		1	81E6-2012		E181-2013	1
R130LCM-3	81E6-2006 81EM-10040	-#0630 #0631-	1	81E6-2007 81EM-14020 81EM-14021	-#0630 #0631-1937 #1938-	1	81E6-2012 81EM-14100	-#0630 #0631-	E181-2013	1
R140LC-7	81N4-15010 81N4-15010BG 81EM-10040*1 81N5-15010*1 81N5-15010BG*1	-#2947 #2948- #0239- #1083-2947 #2948-	1	81N4-14010 81N4-14011 81N4-14011BG 81EM-14021*1 81EM-14021BG*1	-#0043 #0044-2947 #2948- #0239-2947 #2948-	1	81E6-2012 81E6-2012BG 81EM-14100*1 81EM-14100BG*1	-#2947 #2948- #0239-2947 #2948-	E181-2013	1
R140LC-7A	81N4-15010BG 81EM-10040BG*1		1	81N4-14011BG 81EM-14021BG*1		1	81E6-2012BG 81EM-14100BG*1		E181-2013	1
R140LC-9	81N4-15010GG		1	81N4-14011 81N5-14010*3		1	81E6-2012 81N5-14120*3		E181-2013	1

※ Qty is each side

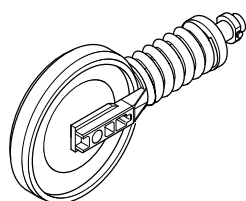
*1 High walker

*2 Rubber track

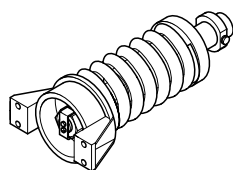
*3 R140LCM-9

Undercarriage

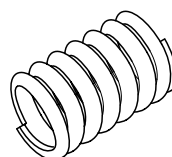
Adjust component



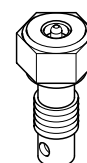
Adjust cylinder



Tension spring



Grease valve



Hydraulic excavator

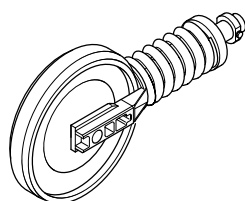
Model	Adjust component		Adjust cylinder		Tension spring		Grease valve	
	Part no.	Qty	Part no.	Qty	Part no.	Qty	Part no.	Qty
R145CR-9	81N4-15010GG	1	81N4-14011	1	81E6-2012	1	E181-2013	1
R160LC-3	81EM-10040	1	81EM-14020 #0475 81EM-14021 #0476-	1	81EM-14100	1	81EL-20090 #0240 E181-2013 #0241-	1
R160LC-7	81N5-15010 #0900 81N5-15010BG #0901-	1	81N5-14010 #0900 81N5-14010BG #0901-	1	81N5-14120 #0900 81N5-14120BG #0901-	1	E181-2013	1
R160LC-7A	81N5-15010BG	1	81N5-14010BG	1	81N5-14120BG	1	E181-2013	1
R160LC-9	81N5-15010GG	1	81N5-14010	1	81N5-14120	1	E181-2013	1
R180LC-3	81EM-10040	1	81EM-14020 #0647 81EM-14021 #0648-	1	81EM-14100	1	81EL-20090 #0441 E181-2013 #0442-	1
R180LC-7	81N5-15010 #0445 81N5-15010BG #0446-	1	81N5-14010 #0445 81N5-14010BG #0446-	1	81N5-14120 #0445 81N5-14120BG #0446-	1	E181-2013	1
R180LC-7A	81N5-15010BG	1	81N5-14010BG	1	81N5-14120BG	1	E181-2013	1
R180LC-9	81N5-15010GG	1	81N5-14010	1	81N5-14120	1	E181-2013	1
R200LC	-		81E1-20060 #2450 81E1-20061 #2451-	1	E181-2012	1	E181-2013	1
R210LC-3 R210LC-3LL	81EM-10040 #0497 81EM-10050 #0498-0678 81EM-10051 #0679-	1	81EM-14020 #0497 81EM-15020 #0498-0678 81EM-15021 #0679-	1	81EM-14100 #0678 81EM-15100 #0679-	1	81EL-20090 #0678 E181-2013 #0679-	1
33HDLL	81E8-20090	1	81E8-20080	1	E282-2012	1	E181-2013	1
R210LC-7	81N6-15010 #7171 81N6-15010BG #7172- 81N7-15010*1 #0341-7171 81N7-15010BG*1 #7172-	1	81N6-14010 #0249 81N6-14011 #0250-7171 81N6-14011BG #7172- 81N7-14010*1 #0341-7171 81N7-14010BG*1 #7172-	1	81N6-14120 #7171 81N6-14120BG #7272- 81N7-14120*1 #7171 81N7-14120BG*1 #7272-	1	E181-2013	1
R210LC-7A	81N6-15010BG 81N7-15010BG*1	1	81N6-14011BG 81N7-14010BG*1	1	81N6-14120BG 81N7-14120BG*1	1	E181-2013	1
R210LC-9	81N6-15010GG	1	81N6-14011GG	1	81N6-14120	1	E181-2013	1
R210NLC-7	81N6-15010 #0514 81N6-15010BG #0515-	1	81N6-14011 #0514 81N6-14011BG #0515-	1	81E6-14120 #0514 81E6-14120BG #0515-	1	E181-2013	1
R210NLC-7A	81N6-15010BG	1	81N6-14011BG	1	81N6-14120 BG	1	E181-2013	1
R210NLC-9	81N6-15010GG	1	81N6-14011GG	1	81N6-14120GG	1	E181-2013	1
R235LCR-9	81N6-15010GG	1	81N6-14011GG	1	81N6-14120GG	1	E181-2013	1
R250LC-3	81EN-10040	1	81EN-14020 #0471 81EN-14021 #0472-	1	81EN-14100	1	E181-2013	1
R250LC-7	81N7-15010 #1102 81N7-15010BG #1103- 81N8-15011*1 #0012-1102 81N8-15011BG*1 #1103-1554 81N8-15012BG*1 #1555-1620 81N8-15013BG*1 #1621-	1	81N7-14010 #1102 81N7-14010BG #1103- 81N8-14012*1 #1102 81N8-14012BG*1 #1103-1554 81N8-14013BG*1 #1555-	1	81N7-14120 #1102 81N7-14120BG #1103- 81N8-14120*1 #1102 81N8-14120BG*1 #1103-	1	E181-2013	1
R250LC-7A	81N7-15010BG 81N8-15011BG*1 81N8-15012BG*1 81N8-15013BG*1	1	81N7-14010BG 81N8-14012BG*1 81N8-14013BG*1	1	81N7-14120BG 81N8-14120BG*1	1	E181-2013	1
R250LC-9	81N7-15010GG 81N8-15013GG*1	1	81N7-14010GG 81N8-14013GG*1	1	81N7-14120 81N8-14120*1	1	E181-2013	1

※ Qty is each side

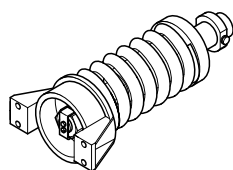
*1 High walker

Undercarriage

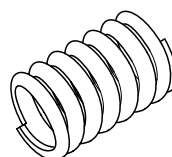
Adjust component



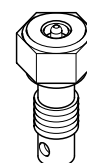
Adjust cylinder



Tension spring



Grease valve



Hydraulic excavator

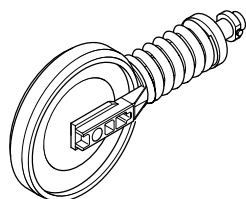
Model	Adjust component		Adjust cylinder		Tension spring		Grease valve	
	Part no.	Qty	Part no.	Qty	Part no.	Qty	Part no.	Qty
R280LC	-		82E2-2006	1	E282-2012	1	E181-2013	1
R290LC	81E8-2006	1	81E8-2007 81E8-20070	1	81E9-2012 E282-2012	1	E181-2013	1
R290LC-3 R290LC-3LL R290LC-3RB	81E8-2006 81E8-20090	1	81E8-2007 81E8-20070 81E8-20071 81E8-20072 81E8-20080	1	E282-2012	1	E181-2013	1
42HDLL 39HDRB	81EH-20040	1	81EH-10063	1	81EH-10100	1	E181-2013 E181-2013*1	1
R290LC-7	81N8-15011 81N8-15011BG 81N8-15011*1 81N8-15011BG*1	1	81N8-14011 81N8-14012 81N8-14012BG 81N8-14012*1 81N8-14012BG*1	1	81N8-14120 81N8-14120BG 81N8-14120*1 81N8-14120BG*1	1	E181-2013	1
R290LC-7A	81N8-15011 81N8-15011BG 81N8-15012BG 81N8-15013BG	1	81N8-14012 81N8-14012BG 81N8-14013BG	1	81N8-14120 81N8-14120BG	1	E181-2013	1
R290LC-9	81N8-15012GG 81N8-15013GG	1	81N8-14013GG	1	81N8-14120	1	E181-2013	1
R290LC-7H	81N8-15011	1	81N8-14012	1	81N8-14120	1	E181-2013	1
R305LC-7	81N8-15011 81N8-15011BG 81N8-15012BG 81N8-15013BG	1	81N8-14012 81N8-14012BG 81N8-14013BG	1	81N8-14120 81N8-14120BG	1	E181-2013	1
R320LC	81E8-2006	1	81E8-2007 81E8-20070	1	E282-2012	1	E181-2013	1
R320LC-3	81E8-2006 81E8-20090	1	81E8-20070 81E8-20071 81E8-20072 81E8-20080 81E8-20081	1	E282-2012	1	E181-2013	1
R320LC-7	81N8-15011 81N8-15011BG 81N8-15012BG 81N8-15013BG	1	81N8-14012 81N8-14012BG 81N8-14013BG 81N8-14012*1 81N8-14012BG*1	1	81N8-14120 81N8-14120BG 81N8-14120*1 81N8-14120BG*1	1	E181-2013 E181-2013*1	1
R320LC-7A	81N8-15011 81N8-15011BG 81N8-15012BG	1	81N8-14012 81N8-14012BG 81N8-14013BG 81N8-14012*1 81N8-14012BG*1	1	81N8-14120 81N8-14120BG 81N8-14120*1 81N8-14120BG*1	1	E181-2013	1
R320LC-9	81N8-15012GG 81N8-15013GG	1	81N8-14013GG	1	81N8-14120	1	E181-2013	1
R360LC-3	81EH-10040 81EH-20040	1	81EH-10061 81EH-10062 81EH-10063 81EH-10064	1	81EH-10100	1	E181-2013	1
R360LC-7	81EH-20040 81EH-20040BG	1	81EH-10064 81EH-10065 81EH-10065BG	1	81EH-10100 81EH-10101 81EH-10101BG	1	E181-2013	1

※ Qty is each side

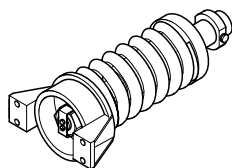
*1 High walker

Undercarriage

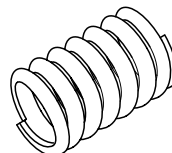
Adjust component



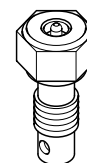
Adjust cylinder



Tension spring



Grease valve



Hydraulic excavator

Model	Adjust component		Adjust cylinder		Tension spring		Grease valve			
	Part no.	Qty	Part no.	Qty	Part no.	Qty	Part no.	Qty		
R360LC-7A	81EH-20040	-#0077	81EH-10064	-#0077	81EH-10100	-0126	E181-2013	1		
	81EH-20040BG	#0078-0126							81EH-10101	#0127-
	81EH-20041BG	#0127-0530								
	81EH-20042BG	#0531-	81EH-10065	#0127-						
R380LC-9	81QA-15010	-#0108	81QA-14010	1	81QA-14120	1	E181-2013	1		
	81QA-15011	#0109-								
R450LC	81E7-01220	1	81E7-0020	-#0686	81E7-01090	1	81E7-0026	1		
			81E7-01050	#0687-						
			81E7-01050	-#1300						
R450LC-3	81E7-01220	-#1300	81E7-01051	#1301-1340	81E7-01090	1	81E7-0026	#1301-		
	81E7-01221	#1301-							81E7-01052	#1341-
R450LC-7	81NB-15010	-#0758	81NB-14010	#0246	81E7-01090	-#0246	81NB-14240	1		
	81NB-15010BG	#0759-0805							81NB-14011	#0247-0758
	81NB-15011BG	#0806-1035							81NB-14011BG	#0759-
	81QB-15011BG	#1036-								
R450LC-7A	81NB-15010	-#0125	81NB-14011	#0001-0125	81NB-14120	-#0126	81NB-14240	1		
	81NB-15010BG	#0126-0215							81NB-14011BG	#0126-
	81NB-15011BG	#0216-0299								
	81QB-15011BG	-#0300								
R480LC-9	81NB-15011GG	-#0027	81NB-14011GG	1	81NB-14120	1	81NB-14240	1		
	81QB-15011	#0028-								
R500LC-7	81NB-15010	-#0166	81NB-14011	#0166	81NB-14120	-#0167-	81NB-14240	1		
	81NB-15010BG	#0167-0217							81NB-14011BG	#0167-
	81NB-15011BG	#0218-0410								
	81QB-15011BG	-0411								
R500LC-7A	81NB-15010	-#0062	81NB-14011	#0062	81NB-14120	-#0063-	81NB-14240	1		
	81NB-15010BG	#0063-0110							81NB-14011BG	#0063-
	81NB-15011BG	#0111-1211								
	81QB-15011BG	#1212-								
R520LC-9	81QB-15010	-#0021	81NB-14011GG	1	81NB-14120	1	81NB-14240	1		
	81QB-15011	#0022-								
R800LC-7A	-		81ND-14010*2	1	ZTAA-00042	1	81ND-18100	1		
			81ND-18010*3	1						

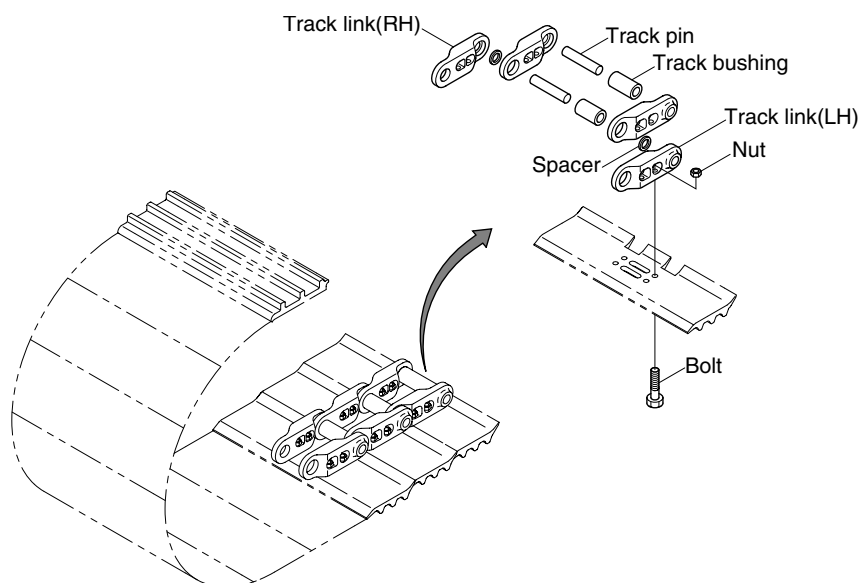
※Qty is each side *1High walker *2Tension spring assy *3Tension body assy

Crawler Dozer

Model	Tension device assy		Tension spring	
	Part no.	Qty	Part no.	Qty
H70 H70LGP	85D1-70272	1	85D1-70151	1
H80 H80LGP	85D2-70110	1	85D2-70150	1

※Qty is each side

Track link



Hydraulic excavator

Model	Track link(LH)		Track link(RH)		Track bushing		Track pin	
	Part no.	Qty	Part no.	Qty	Part no.	Qty	Part no.	Qty
R35Z-7	ZGAG-00004*4	43	ZGAG-00004*4	43	-		ZGAG-00011	43
R35Z-7A	ZGAG-00004*4	43	ZGAG-00004*4	43	-		ZGAG-00011	43
R35Z-9	ZGAG-00004*4	43	ZGAG-00004*4	43	-		ZGAG-00011	43
R55-3	81M5-51010	39	81M5-51020	39	81M5-51060	40	81M5-51050	39
R55-7	81M5-51010 81M9-26110	#3289 #3290- 39	81M5-51020 81M9-26100	#3289 #3290- 39	81M5-51060 81M9-26150	#3289 #3290- 40	81M5-51050 81M5-51051 81M9-26140	#2698 #2699-3289 #3290- 39
R55-7A	81M5-51010 81M9-26110	#0150 #0151- 39	81M5-51020 81M9-26100	#0150 #0151- 39	81M5-51060 81M9-26150	#0150 #0151- 40	81M5-51051 81M9-26140	#0150 #0151- 39
R55-9	81M9-26110	39	81M9-26100	39	81M9-26150	40	81M9-26140	39
R80-7	81N1-26110	38	81N1-26100	38	81N1-26150	37	81N1-26140	37
R80-7A	81N1-26110	38	81N1-26100	38	81N1-26150	37	81N1-26140	37
R110-7	81N3-26110	41	81N1-26100	41	81N1-26150	40	81N1-26140	40
R110-7A	81N3-26110	41	81N1-26100	41	81N1-26150	40	81N1-26140	40
R130LC	81E6-2511	46	81E6-2512	46	81E6-2515	45	81E6-2516	45
R130LC-3	81E6-2511 81E6-26510	#0981 #0982- 46	81E6-2512 81E6-26520	#0981 #0982- 46	81E6-2515 81E6-26540	#0981 #0982- 45	82E6-2516 81E6-26530	#0981 #0982- 45
R130LCM-3	81E6-2511 E181-2531	#0630 #0631- 46 47	81E6-2512 E181-2532	#0630 #0631- 46 47	81E6-2515 E181-2534	#0630 #0631- 45 46	81E6-2516 E181-2533	#0630 #0631- 45 46
R140LC-7	81E6-26510 E181-2531*1	#3407- 46 47	81E6-26520 E181-2532*1	#3407- 46 47	81N4-26150 E181-2534*1*3 81N5-26140*1*2	#3407- 45 46 46	81E6-26530 E181-2533*1	#3407- 45 46
R140LC-7A	81E6-26510 E181-2531*1	#0439 46 47	81E6-26520 E181-2532*1	#0439 46 47	81N4-26150 81N5-26140*1	#0439 45 46	81E6-26530 E181-2533*1	#0439 45
R140LC-9	81E6-26510	46	81E6-26520	46	81N4-26150	45	81E6-26530	45
R145CR-9	81E6-26510	45	81E6-26520	45	81N4-26150	44	81E6-26530	44
R160LC-3	E181-2531	49	E181-2532	49	E181-2534	48	E181-2533	48
R160LC-7	E181-2531	49	E181-2532	49	81N5-26140	48	E181-2533	48
R160LC-7A	E181-2531	49	E181-2532	49	81N5-26140	48	E181-2533	48
R160LC-9	E181-2531	49	E181-2532	49	81N5-26140	48	E181-2533	48

*Qty is each side

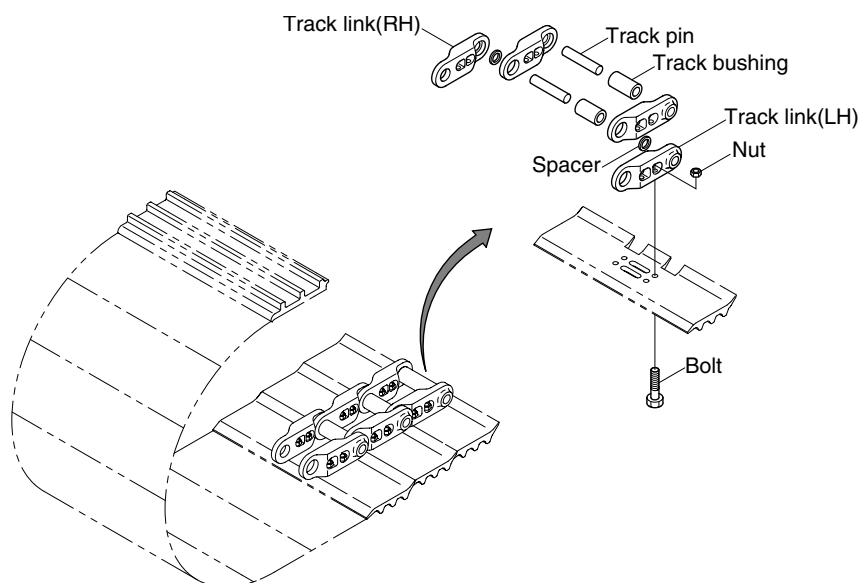
*1High walker

*2710mm

*3800mm

*4Track link kit

Track link



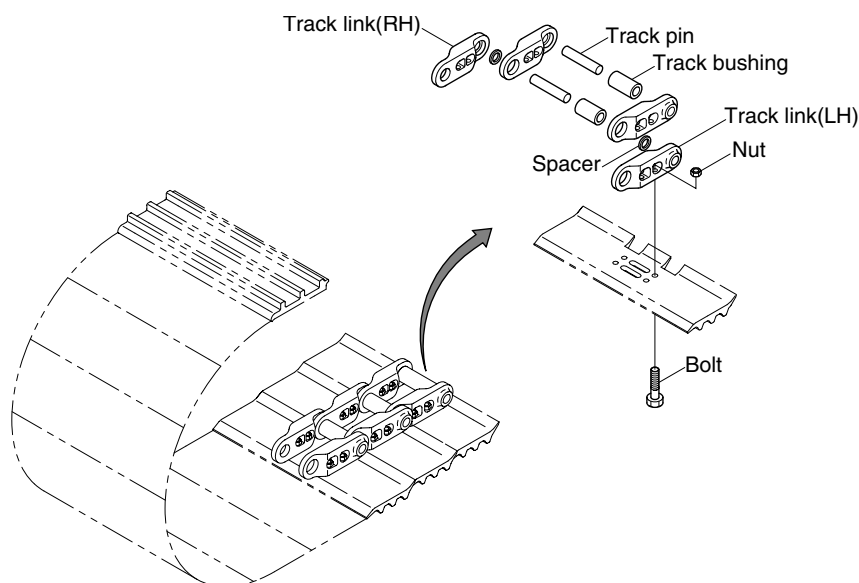
Hydraulic excavator

Model	Track link(LH)		Track link(RH)		Track bushing		Track pin	
	Part no.	Qty	Part no.	Qty	Part no.	Qty	Part no.	Qty
R180LC-3	E181-2531	51	E181-2532	51	E181-2534	50	E181-2533	50
R180LC-7	E181-2531	51	E181-2532	51	81N5-26140	50	E181-2533	50
R180LC-7A	E181-2531	51	E181-2532	51	81N5-26140	50	E181-2533	50
R180LC-9	E181-2531	51	E181-2532	51	81N5-26140	50	E181-2533	50
R200LC	E181-2531	54	E181-2532	54	E181-2534	53	E181-2533	53
R210LC-3	81EM-20120 81N6-26110	-#1472 #1473- 49	81EM-20110 81N6-26100	-#1472 #1473- 49	81EM-20140 81N6-26150	-#1472 #1473- 48	81EM-20130 81N6-26140	-#1472 #1473- 48
R210LC-3LL	81EM-20120	49	81EM-20110	49	81EM-20140	48	81EM-20130	48
33HDLL	81E9-25121	51	81E9-25111	51	81E9-25151	50	81E9-25161	50
R210LC-7	81N6-26110 81EM-20120* ¹	#0341- 49	81N6-26100 81EM-20110* ¹	#0341- 49	81N6-26150 81EM-20140* ¹	#0341- 48	81N6-26140 81EM-20130* ¹	#0341- 48
R210LC-7A	81N6-26110 81EM-20120* ¹	-#0492 49	81N6-26100 81EM-20110* ¹	-#0492 49	81N6-26150 81EM-20140* ¹	-#0492 48	81N6-26140 81EM-20130* ¹	-#0492 48
R210LC-9	81N6-26110	49	81N6-26110	49	81N6-26150	48	81N6-26140	48
R210NLC-7A	81N6-26110	49	81N6-26100	49	81N6-26150	48	81N6-26140	48
R210NLC-9	81N6-26110	49	81N6-26100	49	81N6-26150	48	81N6-26140	48
R235LCR-9	81N6-26110	49	81N6-26110	49	81N6-26150	48	81N6-26140	48
R250LC-3	81EM-20120 81N6-26110 81E5-2512* ¹ 81E9-25121* ¹	-#0269 #0270- #0269 #0270- 51	81EM-20110 81N6-26100 81E5-2511* ¹ 81E9-25111* ¹	-#0269 #0270- #0269 #0270- 51	81EM-20140 81N6-26150 81E5-2515* ¹ 81E9-25151* ¹	-#0269 #0270- #0269 #0270- 50	81EM-20130 81N6-26140 81E5-2516* ¹ 81E9-25161* ¹	-#0269 #0270- #0269 #0270- 50
R250LC-7	81N6-26110 81N8-26110* ¹	51 48	81N6-26100 81N8-26100* ¹	51 48	81N6-26150 81N8-26150* ¹	50 47	81N6-26140 81N8-26140* ¹	50 47
R250LC-7A	81N6-26110 81N8-26110* ¹	51 48	81N6-26100 81N8-26100* ¹	51 48	81N6-26150 81N8-26150* ¹	50 47	81N6-26140 81N8-26140* ¹	50 47
R250LC-9	81N6-26110	51	81N6-26100	51	81N6-26150	50	81N6-26140	50
R280LC	E282-2511	51	E282-2512	51	E282-2515	50	E282-2516	50
R290LC	82E5-2512	51	82E5-2511	51	82E5-2515	50	82E5-2516	50
R290LC-3	81E5-2512 81E9-25121 81E5-2512* ¹ 81E9-25121* ¹	-#1148 #1149- -#1148 #1149- 51	81E5-2511 81E9-25111 81E5-2511* ¹ 81E9-25111* ¹	-#1148 #1149- -#1148 #1149- 51	81E5-2515 81E9-25151 81E5-2515* ¹ 81E9-25151* ¹	-#1148 #1149- -#1148 #1149- 50	81E5-2516 81E9-25161 81E5-2516* ¹ 81E9-25161* ¹	-#1148 #1149- -#1148 #1149- 50
R290LC-3LL R290LC-3RB	81E5-2512	51	81E5-2511	51	81E5-2515	50	81E5-2516	50
42HDLL 39HDB	81EH-20120	50	81EH-20110	50	81EH-20170	50	81EH-20150	50

* Qty is each side

*¹High walker

Track link

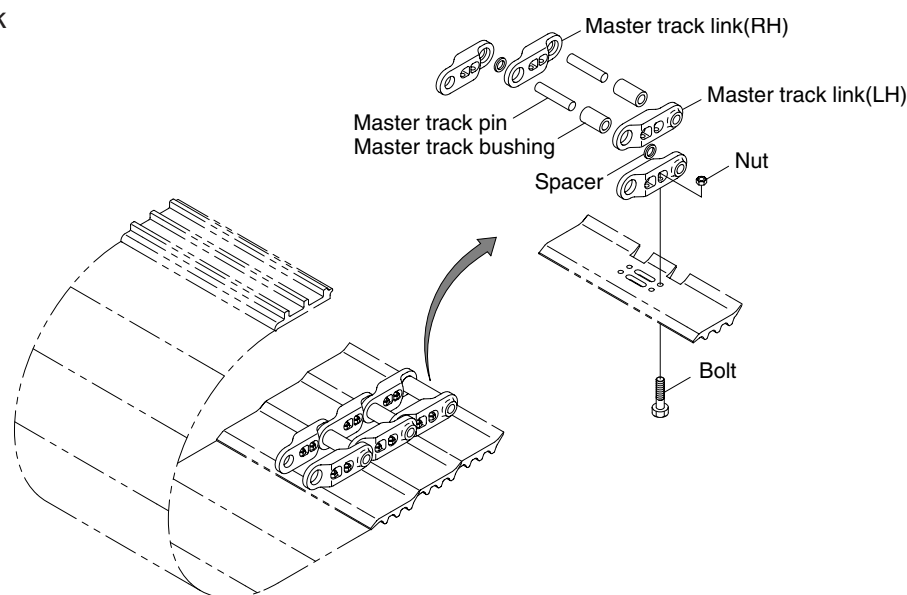


Hydraulic excavator

Model	Track link(LH)		Track link(RH)		Track bushing		Track pin	
	Part no.	Qty	Part no.	Qty	Part no.	Qty	Part no.	Qty
R290LC-7	81N8-26110	48	81N8-26100	48	81N8-26150	47	81N8-26140	47
R290LC-7A	81N8-26110*1		81N8-26100*1		81N8-26150*1		81N8-26140*1	
R290LC-9	81N8-26110	48	81N8-26100	48	81N8-26150	47	81N8-26140	47
R290LC-7H	81N8-26110	47	81N8-26100	48	81N8-26150	47	81N8-26140	47
R305LC-7	81N8-26110	48	81N8-26100	48	81N8-26150	47	81N8-26140	47
R320LC	81E5-2512	51	81E5-2511	51	81E5-2515	50	81E5-2516	50
R320LC-3	81E5-2512 81E9-25121	#0121 #0122- 51	81E5-2511 81E9-25111	#0121 #0122- 51	81E5-2515 81E9-25151	#0121 #0122- 50	81E5-2516 81E9-25161	#0121 #0122- 50
R320LC-7	81N8-26110	48	81N8-26100	48	81N8-26150	47	81N8-26140	47
R320LC-7A	81N8-26110*1		81N8-26100*1		81N8-26150*1		81N8-26140*1	
R320LC-9	81N8-26110	48	81N8-26100	48	81N8-26150	47	81N8-26140	47
R360LC-3	84E7-00030 81EH-20120	#0019 #0020- 51	84E7-00020 81EH-20110	#0019 #0020- 51	84E7-00040 81EH-20170	#0019 #0020- 50	84E7-00060 81EH-20150	#0019 #0020- 50
R360LC-7	81EH-20120 81EH-20121	#0839 #0840- 50	84EH-20110 81EH-20121	#0839 #0840- 50	81EH-20170	50	81EH-20150	50
R360LC-7A	81EH-20120 81EH-20121	#0031 #0032- 50	81EH-20110 81EH-20111	#0031 #0032- 50	81EH-20170	50	81EH-20150	50
R380LC-9	81EH-20121	50	81EH-20111	50	81EH-20170	50	81EH-20150	50
R450LC	0107-00S-01	53	0107-00S-02	53	0107-00M-023	52	3222-00A-04	52
R450LC-3	81EH-20120	52	81EH-20110	52	81EH-20170	52	81EH-20150	52
R450LC-7	81EH-20120 81EH-20121 81NB-26110	#0595 #0596-0950 #0951- 52	81EH-20110 81EH-20111 81NB-26100	#0595 #0596-0950 #0951- 52	81EH-20170	52	81EH-20150	52
R450LC-7A	81EH-20120 81EH-20121 81NB-26110	#0066 #0067-0266 #0267- 52	81EH-20110 81EH-20111 81NB-26100	#0066 #0067-0266 #0267- 52	81EH-20170	52	81EH-20150	52
R480LC-9	81NB-26110	53	81NB-26100	53	81EH-20170	52	81EH-20150	52
R500LC-7	81EH-20120 81EH-20121 81NB-26110	#0041 #0042-0338 #0339- 52	81EH-20110 81EH-20111 81NB-26100	#0041 #0042-0338 #0339- 52	81EH-20170	52	81EH-20150	52
R500LC-7A	81EH-20120 81EH-20121 81NB-26110	#0036 #0037-0161 #0162- 52	81EH-20110 81EH-20111 81NB-26100	#0036 #0037-0161 #0162- 52	81EH-20170	52	81EH-20150	52
R520LC-9	81NB-26110	53	81NB-26100	53	81EH-20170	52	81EH-20150	52
R800LC-7A	ZTAA-00061	51	ZTAA-00062	51	ZTAA-00063	50	ZTAA-00064	50

* Qty is each side

Master track link



Hydraulic excavator

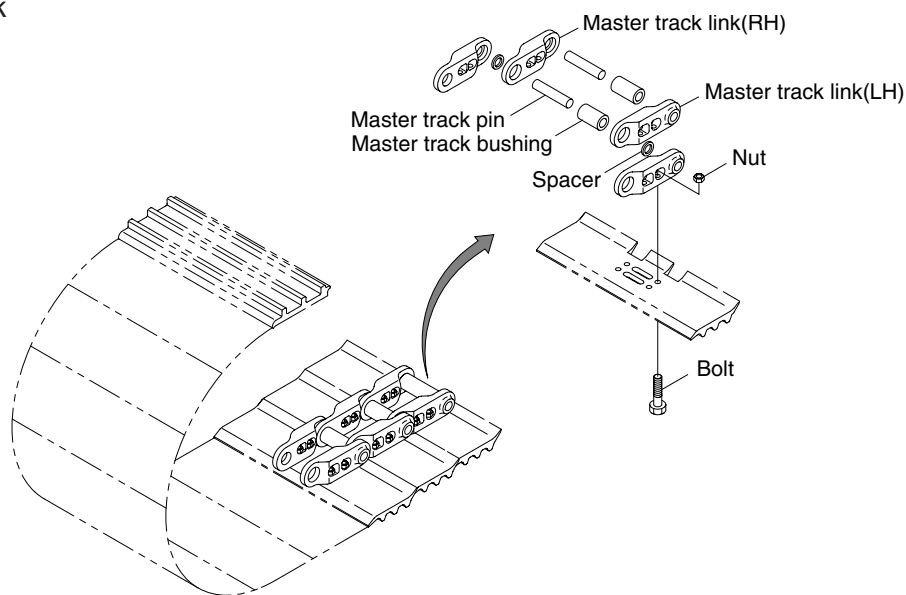
Model	Master track link(LH)		Master track link(RH)		Master track bushing		Master track pin		Spacer	
	Part no.	Qty	Part no.	Qty	Part no.	Qty	Part no.	Qty	Part no.	Qty
R35Z-7	ZGAG-00005*2	1	ZGAG-00005*2	1	-		ZGAG-00012	1	-	
R35Z-7A	ZGAG-00005*2	1	ZGAG-00005*2	1	-		ZGAG-00012	1	-	
R35Z-9	ZGAG-00005*2	1	ZGAG-00005*2	1	-		ZGAG-00012	1	-	
R55-3	81M5-51030	1	81M5-51040	1	81M5-51060	1	81M6-51070	1	-	
R55-7	81M5-51030 #2997 81M5-51031 #2998-3289 81M9-26130 #3290-	1	81M5-51040 #2997 81M5-51041 #2998-3289 81M9-26120 #3290-	1	81M5-51060 #3289 81M9-26150 #3290-	1	81M6-51070 #0296 81M6-51071 #0297- 81M6-51072 #2998-3289 81M9-26160 #3290-	1	-	
R55-7A	81M5-51031 #0150 81M9-26130 #0151-	1	81M5-51041 #0150 81M9-26120 #0151-	1	81M5-51060 #0150 81M9-26150 #0151-	1	81M6-51072 #0150 81M9-26160 #0151-	1	-	
R55-9	81M9-26130	1	81M9-26120	1	81M9-26150	1	81M9-26160	1	-	
R80-7	-		-		81N1-26170	1	81N1-26160	1	81N1-26180	2
R80-7A	-		-		81N1-26170	1	81N1-26160	1	81N1-26180	2
R110-7	-		-		81N3-26170	1	81N3-26160	1	81N3-26180	2
R110-7A	-		-		81N3-26170	1	81N3-26160	1	81N3-26180	2
R130LC	-		-		81E6-2517	1	81E6-2518	1	81E6-2519	2
R130LC-3	-		-		81E6-2517 #0981 81E6-26560 #0982-	1	81E6-2518 #0981 81E6-26550 #0982-	1	81E6-2519 #0981 81E6-26570 #0982-	2
R130LCM-3	-		-		81E6-2517 #0630 E181-2536 #0631-	1	81E6-2518 #0630 E181-2535 #0631-	1	81E6-2518 #0630 E181-2535 #0631-	2
R140LC-7	-		-		81E6-26560 E181-2536*1 #0239-	1	81E6-26550 E181-2535 *1 #0239-	1	81E6-26570 E181-2537*1 #0239-	2
R140LC-7A	-		-		81E6-26560 E181-2536*1	1	81E6-26550 E181-2535*1	1	81E6-26570 E181-2537*1	2
R140LC-9	-		-		81E6-26560	1	81E6-26550	1	81E6-26567	2
R160LC-3	-		-		E181-2536	1	E181-2535	1	E181-2537	2
R160LC-7	-		-		E181-2536	1	E181-2535	1	E181-2537	2
R160LC-7A	-		-		E181-2536	1	E181-2535	1	E181-2537	2
R160LC-9	-		-		E181-2536	1	E181-2535	1	E181-2537	2
R180LC-3	-		-		E181-2536	1	E181-2535	1	E181-2537	2

* Qty is each side

*1 High walker

*2 Master link kit

Master track link



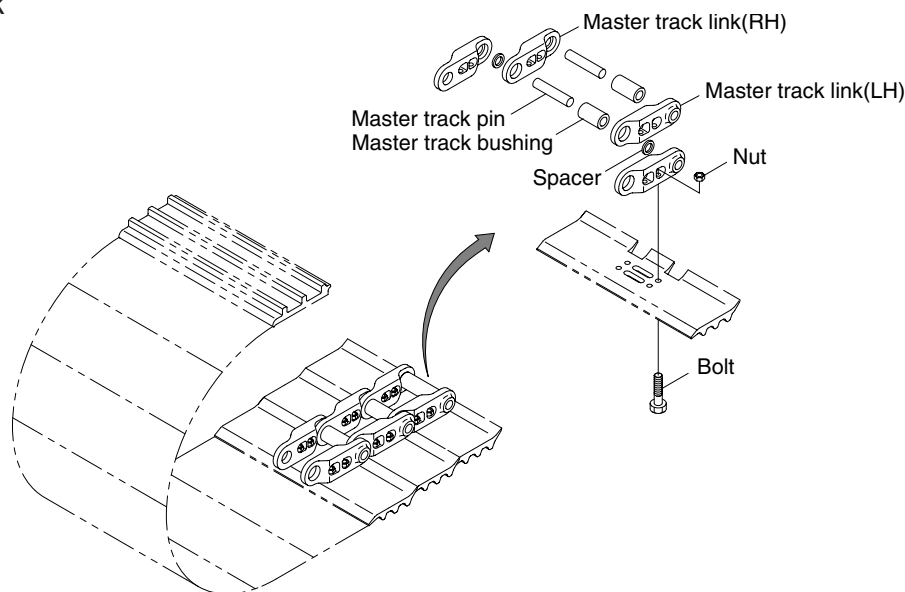
Hydraulic excavator

Model	Master track link(LH)		Master track link(RH)		Master track bushing		Master track pin		Spacer	
	Part no.	Qty	Part no.	Qty	Part no.	Qty	Part no.	Qty	Part no.	Qty
R180LC-7	-		-		E181-2536	1	E181-2535	1	E181-2537	2
R180LC-7A	-		-		E181-2536	1	E181-2535	1	E181-2537	2
R180LC-9	-		-		E181-2536	1	E181-2535	1	E181-2537	2
R200LC	-		-		E181-2536	1	E181-2535	1	E181-2537	2
R210LC-3	-		-		81EM-20160 #1472 81N6-26170 #1473	1	81EM-20150 #1472 81N6-26160 #1473	1	81EM-20170 #1472 81N6-26180 #1473	2
R210LC-3LL	-		-		81EM-20160	1	81EM-20150	1	81EM-20170	2
33HDLL	-		-		81E9-25171	1	81E9-25181	1	81E9-25191	2
R210LC-7	-		-		81N6-26170 81EM-20160*1 #0341	1	81N6-26160 81EM-20150*1 #0341	1	81N6-26180 81EM-20170*1 #0341	2
R210LC-7A	-		-		81N6-26170 81EM-20160*1	1	81N6-26160 81EM-20150*1	1	81N6-26180 81EM-20170*1	2
R210LC-9	-		-		81N6-26170 81EM-20160*1	1	81N6-26160 81EM-20150*1	1	81N6-26180 81EM-20170*1	2
R210NLC-7A	-		-		81N6-26170	1	81N6-26160	1	81N6-26180	2
R210NLC-9	-		-		81N6-26170	1	81N6-26160	1	81N6-26180	2
R235LCR-9	-		-		81N6-26170 81EM-20160*1	1	81N6-26160 81EM-20150*1	1	81N6-26180 81EM-20170*1	2
R250LC-3	-		-		81EM-20160 #0269 81N6-26170 #0270 81E5-2517*1 #0269 81E9-25171*1 #0270	1	81EM-20150 #0269 81N6-26160 #0270 81E5-2518*1 #0269 81E9-25181*1 #0270	1	81EM-20170 #0269 81N6-26180 #0270 81E5-2519*1 #0269 81E9-25191*1 #0270	2
R250LC-7	81EH-20141*1	1	81EH-20131*1	1	81N6-26170 81N8-26170*1	1	81N6-26160 81N8-26160*1	1	81N6-26180 81N8-26180*1	2
R250LC-7A	81EH-20141*1	1	81EH-20131*1	1	81N6-26170 81N8-26170*1	1	81N6-26160 81N8-26160*1	1	81N6-26180 81N8-26180*1	2
R250LC-9	81EH-20141*1	1	81EH-20131*1	1	81N6-26170 81N8-26170*1	1	81N6-26160 81N8-26160*1	1	81N6-26180 81N8-26180*1	2
R280LC	-		-		E282-2517	1	E282-2518	1	E282-2520	2
R290LC	-		-		82E5-2517	1	82E5-2518	1	81E5-2519	2
R290LC-3	-		-		81E5-2517 #1160 81E9-25171 #1161	1	81E5-2518 #1160 81E9-25181 #1161	1	81E5-2519 #1160 81E9-25191 #1161	2
R290LC-3LL R290LC-3RB	-		-		81E5-2517*1	1	81E5-2518*1	1	81E5-2519	2
42HDLL 39HDB	81EH-20140	1	81EH-20130	1	81EH-20180	1	81EH-20160	1	81EH-20190	2
R290LC-7 R290LC-7A	81EH-20141*1	1	81EH-20131*1	1	81N8-26170 81E9-25171*1	1	81N8-26160 81E9-25181*1	1	81N8-26180 81E9-25191*1	2

*Qty is each side

*1High walker

Master track link



Hydraulic excavator

Model	Master track link(LH)		Master track link(RH)		Master track bushing		Master track pin		Spacer	
	Part no.	Qty	Part no.	Qty	Part no.	Qty	Part no.	Qty	Part no.	Qty
R290LC-7H	-		-		81N8-26170	1	81N8-26160	1	81N8-26180	2
R290LC-9	81EH-20141*1	1	81EH-20131*1	1	81EH-20180*1 81N8-26170	1	81EH-20160*1 81N8-26160	1	81EH-20190*1 81N8-26180	2
R305LC-7	-		-		81N8-26170	1	81N8-26160	1	81N8-26180	2
R320LC	-		-		81E5-2517	1	81E5-2518 #0121 81E9-25181 #0122-	1	81E5-2519 #0121 81E9-25191 #0122-	2
R320LC-3	-		-		81E5-2517 #0121 81E9-25171 #0122-	1	81N8-26160 81N8-26160*1 #0008-	1	81N8-26180 81N8-26180*1 #0008-	2
R320LC7 R320LC-7A	81EH-20141*1		81EH-20131*1		81N8-26170 81EH-20180*1	1	81N8-26160 81EH-20160*1	1	81N8-26180 81EH-20190*1	2
R320LC-9	81EH-20141*1		81EH-20131*1		81N8-26170 81EH-20180*1	1	81N8-26160 81EH-20160*1	1	81N8-26180 81EH-20190*1	2
R360LC-3	81EH-20140 #0020-	1	81EH-20130 #0020-	1	84E7-00050 #0019 81EH-20180 #0020-	1	81EH-20160	1	81EH-20190	2
R360LC-7	81EH-20140 #0839 81EH-20141 #0840-	1 1	81EH-20130 #0839 81EH-20131 #0840-	1 1	81EH-20180	1	81EH-20160	1	81EH-20190	2
R360LC-7A	81EH-20141	1	81EH-20131	1	81EH-20180	1	81EH-26160 #0500 81EH-20161 #0501-	1	81EH-20190	2
R380LC-9	-		-		81EH-20180	1	81EH-20161	1	81EH-20190	2
R450LC	-		-		0107-00M-27	1	81EH-20160	1	81EH-20190	2
R450LC-3	81EH-20140	1	81EH-20130	1	81EH-20180	1	81EH-26160 #0949 81EH-20161 #0950-	1	81EH-20190	2
R450LC-7	81EH-20140*2 #0595 81EH-20141*2 #0596-0949 81NB-26130*3 #0845-0949	1	81EH-20130*2 #0595 81EH-20131*2 #0596-0949 81NB-26120*3 #0845-0949	1 1	81EH-20180	1	81EH-26160 #0949 81EH-20161 #0950-	1	81EH-20190	2
R450LC-7A	81EH-20140*1 #0066 81EH-20141*1 #0067-0266 81NB-26130*3 #0233-0266	1	81EH-20130*2 #0066 81EH-20131*2 #0067-0266 81NB-26120*3 #0233-0266	1	81EH-20180	1	81EH-20160 #0266 81EH-20161 #0267-	1	81EH-20190	2
R480LC-9	81NB-26110	1	81NB-26100	1	81EH-20180	1	81EH-20161	1	81EH-20190	2
R500LC-7	81EH-20140*2 #0041 81EH-20141*2 #0042-0338 81NB-26130*3 #0240-0338	1	81EH-20130*2 #0041 81EH-20131*2 #0042-0338 81NB-20120*3 #0240-0338	1 1	81EH-20180	1	81EH-20161	1	81EH-20190	2
R500LC-7A	81EH-20140*2 #0036 81EH-20141*2 #0037-0161 81NB-26130*3 #0128-0161	1	81EH-20130*2 #0036 81EH-20131*2 #0037-0161 81NB-20120*3 #0128-0161	1 1	81EH-20180	1	81EH-20161	1	81EH-20190	2
R520LC-9	81NB-26110	1	81NB-26100	1	81EH-20180	1	81EH-20161	1	81EH-20190	2
R800LC-7A	-		-		ZTAA-00002	1	ZTAA-00065	1	ZTAA-00066	2

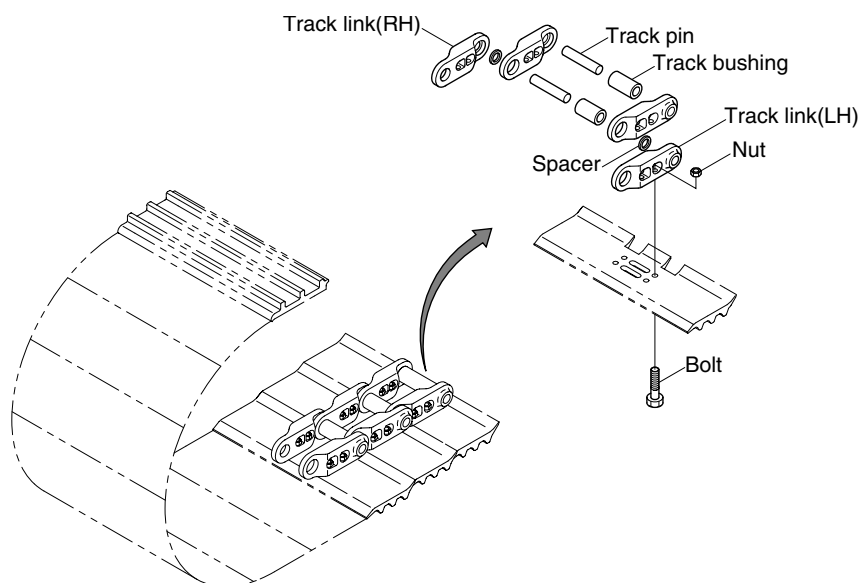
*Qty is each side

*1High walker

*2INI

*3KUT

Track link



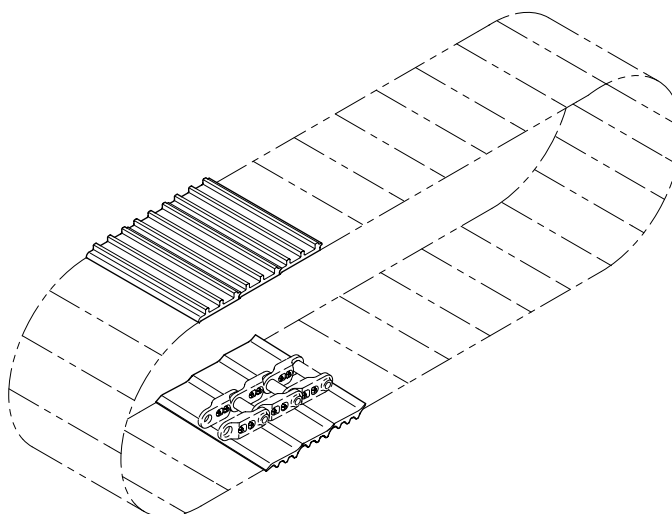
Crawler dozer

Model	Track link(LH)		Track link(RH)		Track bushing		Track pin		Thrust ring	
	Part no.	Qty	Part no.	Qty	Part no.	Qty	Part no.	Qty	Part no.	Qty
H70	CR4772	36	CR4771	36	CR4773	37	CR3616	37	CR3618	74
H70LGP	CR4772	38	CR4771	38	CR4773	39	CR3616	39	CR3618	78
H80/LGP	CR5194	36	CR5193	36	CR4353	37	CR5197	37	CR5165	74

Model	Half link 1(LH)		Half link 2(LH)		Half link 1(RH)		Half link 2(RH)		Seal	
	Part no.	Qty	Part no.	Qty	Part no.	Qty	Part no.	Qty	Part no.	Qty
H70	CR4769	1	CR4770	1	CR4767	1	CR4768	1	CR5426	74
H70LGP	CR4769	1	CR4770	1	CR4767	1	CR4768	1	CR5426	78
H80/LGP	CR4352	1	CR5196	1	CR4350	1	CR5195	1	CR5422	74

*Qty is each side

Track chain assy



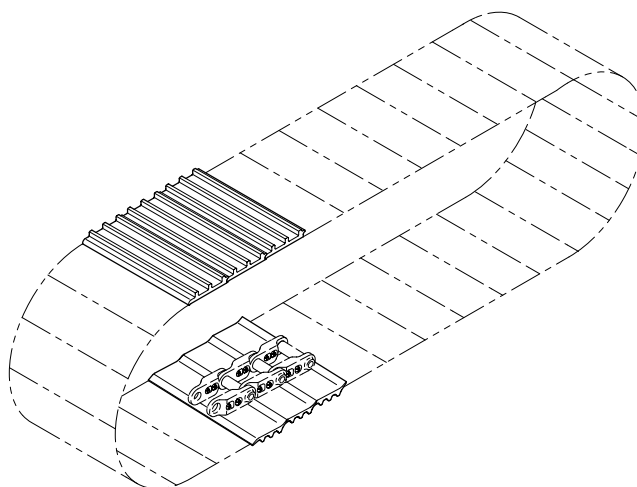
Hydraulic excavator

Model	500 mm		600 mm		700 mm		800 mm		900 mm	
	Part no.	Qty	Part no.	Qty	Part no.	Qty	Part no.	Qty	Part no.	Qty
R27Z-9	81MK-27010* ¹³	1								
R35Z-7	81MH-27010* ¹³ #0246 81MH-27011* ¹³ #0247- 81MH-26010	1	-		-		-		-	
R35Z-7A	81MH-27010* ¹³ #0063 81MH-27011* ¹³ #0064- 81MH-26010	1	-		-		-		-	
R35Z-9	81MH-27011* ¹³ 81MH-26010GG	1	-		-		-		-	
R55-3	81M6-51000* ¹³ #0919 81M7-51000 #0920-	1	-		-		-		-	
R55-7	81M7-51000* ¹³ #001-2997 81M7-51001* ¹³ #2998-3289 81M9-27010* ¹³ #3290- 81M6-51141* ^{8,13} #1798 81M8-25010* ^{8,13} #1799-2823 81M8-25011* ^{8,13} #2824-3236 81M6-51141* ^{8,13} #3237-3295 81M8-28010* ^{8,13} #3296-	1	-		-		-	1	-	
R55-7A	81M9-26010* ¹⁴ #0151-0151 81M9-24010* ^{14,15} #0151-0151 81M7-51001* ⁸ #0150 81M9-27010* ⁸ #0151- 81M9-25010* ^{8,14} #0151-	1	-		-		-		-	
R55-9	81N9-26010GG* ^{15,16} 81N9-24010GG* ^{14,15}	1	-		-		-		-	
R80-7	81N1-26010* ^{12,16} #0370 81N1-24010* ^{12,14} #0238-	1	81N1-26030* ¹⁶ #0370 81N1-24030* ¹⁴ #0238-	1	-		-		-	
R80-7A	81N1-26010* ^{12,16} #0045 81N1-24010* ^{12,14} #0023-	1	81N1-26030* ¹⁶ #0045 81N1-24030* ¹⁴ #0023-	1	-		-		-	
R110-7	81N3-26020* ¹⁶ #0457 81N3-26020BG* ¹⁶ #0458-0616 81N3-24020BG* ¹⁴ #0531- 31N3-26050* ¹³ #0384-0464 31N3-26050BG* ¹³ #0465-0530 31N3-24050BG* ¹³ #0531-	1	81N3-26030* ¹⁶ #0457 81N3-26030BG* ¹⁶ #0458-0616 81N3-24030BG* ¹⁴ #0531-	1	81N3-26040* ¹⁶ #0457 81N3-26040BG* ¹⁶ #0458-0616 81N3-24040BG* ¹⁴ #0531-	1	-		-	
R110-7A	81N3-26020BG* ¹⁶ #0069 81N3-24020BG* ¹⁴ #0030- 31N3-26050BG* ¹³ #0029 31N3-24050BG* ¹³ #0030-	1	81N3-26030BG* ¹⁶ #0069 81N3-24030BG* ¹⁴ #0030-	1	81N3-26040BG* ¹⁶ #0069 81N3-24040BG* ¹⁴ #0030-	1	-		-	
R130LC	81E6-2550	1	81E6-2005	1	81E6-2570* ²	1	-		-	
R130LC-3	81E6-2550 #0981 81E6-26100 #0982-	1	81E6-2505 #0981 81E6-26200 #0982-	1	81E6-2570* ² #0981 81E6-26200 #0982-	1	-		-	

*¹⁶610 mm *²710 mm *³750 mm **⁸810 mm *⁵960 mm *⁶Single grouser shoe *⁷Double grouser shoe *⁸400 mm

※Qty is each side *⁹High walker *¹⁰910 mm *¹¹Swamp shoe *¹²450 mm *¹³Rubber track *¹⁴DCF *¹⁵380 mm *¹⁶NI

Track chain assy

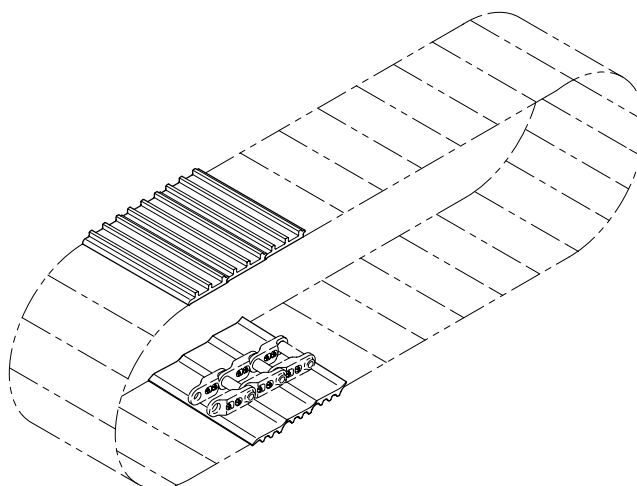


Hydraulic excavator

Model	500 mm		600 mm		700 mm		800 mm		900 mm	
	Part no.	Qty	Part no.	Qty	Part no.	Qty	Part no.	Qty	Part no.	Qty
R130LCM-3	-		81E6-27300	1	81E6-26300 #0630 81E6-27400 #0631-1903 81E6-27401 #1904- 81E6-28400*2,7	1	81E6-26400 #0630 81E6-27600 #0631-1903 81E6-27601 #1904-	1	81E6-25900*5,6 #0630 81E6-27900*5,6 #0631-	1
R140LC-7	81N4-26020*13 #2935 81N4-26020BG*13 #2936-3417 81N4-24020BG*14 #3149-	1	81N4-26030*13 #2935 81N4-26030BG*13 #2936-3417 81N4-24030BG*14 #3149-	1	81N4-26040*13 #2935 81N4-26040BG*13 #2936-3417 81N4-24040BG*14 #3149- 81N4-28040*2,9,13 #1371-2935 81N4-28040BG*2,9,13 #2936- 81N4-25040BG*2,9,14 #3149-3407	1	81N4-26060 #0142 81E6-27601*9*13 #0229-1033 81E6-27601BG*9*13 #2948- 81N4-25060BG*9*14 #3149-3407	1	-	
R140LC-7A	81N4-26020BG*13 #0439 81N4-24020BG*14 #0398-	1	81N4-26030BG*13 #0439 81N4-24030BG*14 #0398-	1	81N4-26040BG*13 #0439 81N4-24040BG*14 #0398- 81N4-28040BG*2,9,13 #0398-0439 81N4-25040BG*2,9,13 #0398-0439	1	81N4-27060BG*9 #0439 81N4-25060BG*9,14 #0398-0439	1	-	
R140LC-9	81N4-26020GG*13 #0050 81N4-24020GG*14	1	81N4-26030GG*13 #0050 81N4-24030GG*14	1	81N4-26040GG*13 #0050 81N4-24040GG*14 81N4-28040GG*9,13 81N4-25040GG*9,10 #0047-	1	81N4-27060GG*13 #0050 81N4-25060GG*14 #0047	1	-	
R160LC-3	81EG-20300	1	81EG-20400	1	81EG-20500	1	81EG-20600	1	-	
R160LC-7	81N5-26020*13 #0900 81N5-26020BG*13 #0901-1188 81N5-24020BG*14 #0951-	1	81N4-26030*13 #0900 81N4-26030BG*13 #0901-1188 81N4-24030BG*14 #0951-	1	81N5-26040*13 #0830 81N5-26040BG*13 #0901-1188 81N5-24040BG*14 #0951-	1	-	-		
R160LC-7A	81N5-26020BG*13 #0001-0202 81N5-24020BG*14 #0128-	1	81N5-26030BG*13 #0001-0202 81N5-24030BG*14 #0128-	1	81N5-26040BG*13 #0001-0202 81N5-24040BG*14 #0128-	1	-	-		
R160LC-9	81N5-26020GG*13 #0005 81N5-24020GG*14	1	81N5-26030GG*13 #0005 81N5-24030GG*14	1	81N5-26040GG*13 #0005 81N5-24040GG*14	1	-	-		
R180LC-3	81EL-20700	1	81EL-20300	1	81E6-28400*2,7 81EL-20400	1	81EL-20600	1	-	
R180LC-7	81N5-27020*13 #0445 81N5-27020BG*13 #0446-0486	1	81N5-27030*13 #0445 81N5-27030BG*13 #0446-0486	1	81N5-27040*13 #0445 81N5-27040BG*14 #0446-0486	1	81N5-27060*13 #0445 81N5-27060BG*13 #0446-0486	1	-	
R180LC-7A	81N5-27020BG*13 #0001-0105 81N5-25020BG*14 #0074-	1	81N5-27030BG*13 #0001-0105 81N5-25030BG*14 #0074-	1	81N5-27040BG*13 #0001-0105 81N5-25040BG*14 #0074-	1	81N5-27060BG*13 #0001-0105 81N5-25060BG*14 #0074-	1	-	
R180LC-9	81N5-25020GG*14	1	81N5-25030GG*14	1	81N5-25040GG*14	1	81N5-25060GG*14	1	-	
R200LC	-		83E1-2005*1	1	83E1-2560*2	1	83E1-2580*4	1	83E1-2590	1
R210LC-3	-		81EM-20300 #1472 81N6-26030 #1473-	1	81EM-20400 #1472 81N6-26040 #1473-	1	81EM-20600 #1472 81N6-26060 #1473-	1	81EM-20800*10,11	1
R210LC-3LL	-		81EM-20300	1	81EM-20400 81EM-29110*2,7	1	81EM-20600 81EM-28110*2,7	1	-	
33HDLL	-		83E5-2005	1	83E5-2570 81W2-10100*2,7	1	83E5-2580	1	-	

*1610 mm *2710 mm *3750 mm *4810 mm *5960 mm *6Single grouser shoe *7Double grouser shoe *8400 mm
 ※Qty is each side *9High walker *10910 mm *11Swamp shoe *12Rubber track *13INI *14DCF *15Triple grouser shoe

Track chain assy

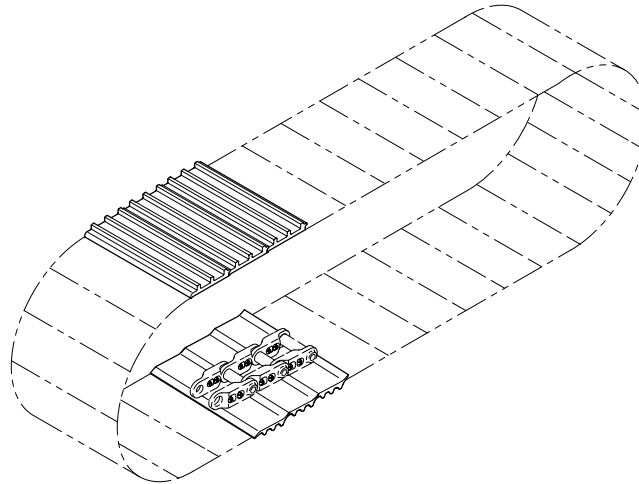


Hydraulic excavator

Model	500 mm		600 mm		700 mm		800 mm		900 mm	
	Part no.	Qty	Part no.	Qty	Part no.	Qty	Part no.	Qty	Part no.	Qty
R210LC-7	-		81N6-26030* ¹³ #0001-7171 81N6-26030BG* ¹³ #7172-4423 81N6-24030* ¹⁴ #1387-7171 81N6-24030BG* ¹⁴ #7172- 81N6-29030BG* ⁷ #8055- 81EM-20300* ^{9,15} #0341- 81N6-29030BG* ⁷ #8055-	1	81N6-26040* ¹³ #7171 81N6-26040BG* ¹³ #7172-4423 81N6-24040* ¹⁴ #1387-7171 81N6-24040BG* ¹⁴ #7172- 81N6-24041BG* ¹⁴ #8202- 81EM-29110* ^{2,7,9} #0341-7171 81EM-29110BG #7172-8054 81EM-20400* ^{9,15} #0341-	1	81N6-26060* ¹³ #7171 81N6-26060BG* ¹³ #7172-4423 81N6-24060* ¹⁴ #1387-7171 81N6-24060BG* ¹⁴ #7172- 81N6-24061BG* ¹⁴ #8202- 81EM-28110* ^{4,7,9} #0341- 81EM-20600* ^{9,15} #0341-	1	81N6-26070* ¹³ #1920-7171 81N6-26070BG* ¹³ #7172-4423 81N6-24070BG* ¹⁴ 81N6-26080* ^{10,14} #1659-7171 81N6-26080BG* ^{10,14} #7172-4423	1
R210LC-7A	-		81N6-26030BG* ¹³ #0701 81N6-24030BG* ¹⁴ #0435 81N6-28030BG* ¹⁴ #0436- 81EM-20300* ⁹ #0492	1	81N6-26040BG* ¹³ #0701 81N6-24040BG* ¹⁴ #0435 81N6-24041BG* ¹⁴ #0436- 81EM-29110BG* ^{2,7,9} #0492 81EM-20400* ^{9,15} #0492	1	81N6-26060BG* ¹³ #0701 81N6-24060BG* ¹⁴ #0435 81N6-24061BG* ¹⁴ #0436- 81EM-28110BG* ^{4,7,9} #0492 81EM-20600* ^{9,15} #0492	1	81N6-26070BG* ¹³ #0701 81N6-26080BG* ^{10,14} #0701	1
R210LC-9	-		81N6-26030GG* ¹³ #0177 81N6-24032GG* ¹⁴	1	81N6-26040GG* ¹³ #0177 81N6-24041GG* ¹⁴	1	81N6-26060GG* ¹³ #0177 81N6-24061GG* ¹⁴	1	81N6-26070GG* ¹³ #0177 81N6-26080* ¹⁴ #0177	1
R210NLC-7	81N6-26020 #0514 81N6-26020BG #0515-	1	81N6-26030 #0514 81N6-26030BG #0515-	1	81N6-26040 #0514 81N6-26040BG #0515-	1	-		-	
R210NLC-7A	81N6-26020BG* ¹³ #0170 81N6-24021BG* ¹⁴ #0051-	1	81N6-26030BG* ¹³ #0170 81N6-24030BG* ¹⁴ #0050 81N6-28030BG* ¹⁴ #0051- 81N6-29030BG* ⁷ #0067-	1	81N6-26040BG* ¹³ #0170 81N6-24040BG* ¹⁴ #0050 81N6-24041BG* ¹⁴ #0051-	1	-		-	
R210NLC-9	81N6-24021GG	1	81N6-28030GG	1	81N6-24041GG	1				
R250LC-3	-		81EN-20300	1	81EN-20400 83E5-2570* ⁹ 81W2-10100* ^{2,9}	1	81EN-20600 83E5-2580* ⁹	1	81EN-20700	1
R250LC-7	-		81EN-20300 #1102 81EN-20300BG #1103-1733 81N8-26030* ⁹ #0012-1102 81N8-26030BG* ⁹ #1103-1334	1	81EN-20400 #1102 81EN-20400BG #1103-1733 81N8-26040* ⁹ #0012-1102 81N8-26040BG* ⁹ #1103-1334 81N8-27040* ^{2,9} #0012-0880 81N8-27041* ^{2,9} #0881-1102 81N8-27041BG* ^{2,9} #1103-	1	81EN-20600 #1102 81EN-20600BG #1103-1733 81N8-26060* ⁹ #0012-1102 81N8-26060BG* ⁹ #1103-1334	1	81EN-20700 #1102 81EN-20700BG #1103-	1
R250LC-7A	-		81EN-20300BG #0118-0306 81N8-26030BG* ⁹ #0118-0239 81N7-24030 #0240-	1	81EN-20400BG #0118-0306 81N8-26040BG* ⁹ #0118-0239 81N8-27041* ^{2,7,9} #0117 81N7-24040 #0240-	1	81EN-20600BG #0118-0306 81N8-26060BG* ⁹ #0118-0239 81N7-24060 #0240-	1	81EN-20700BG #0118-0306 81N7-24070 #0240-	1
R250LC-9	-		81EN-20300GG* ¹³ #0039 81N7-24030GG* ¹⁴ 81N8-25030GG* ^{9,15}	1	81EN-20400GG* ¹³ #0039 81N7-24040GG* ¹⁴ 81N8-25040GG* ^{9,15}	1	81EN-20600GG* ¹³ #0039 81N7-24060GG* ¹⁴ 81N8-25060GG* ^{9,15}	1	81EN-20700GG* ¹³ #0039 81N7-24070GG* ¹⁴ 81N8-25070GG* ^{9,15}	1
R280LC	-		83E2-2005	1	83E2-2560	1	83E2-2570	1	83E2-2580	1
R290LC	-		83E5-2005	1	83E5-2570* ²	1	81E5-2580* ⁴	1	83E5-2590	1
R290LC-3	-		83E5-2005	1	83E5-2570 83E5-25750* ³ 81W2-10100* ^{2,7,9}	1	83E5-2580	1	83E5-2590	1
R290LC-3LL R290LC-3RB	-		-		81W2-10100* ^{2,7}	1	-		-	

*¹610 mm *²710 mm *³750 mm *⁴810 mm *⁵960 mm *⁶Single grouser shoe *⁷Double grouser shoe *⁸400 mm *⁹High walker
 ※Qty is each side *¹⁰910 mm *¹¹Swamp shoe *¹²Rubber track *¹³INI *¹⁴DCF *¹⁵Triple grouser shoe *¹⁶KUT

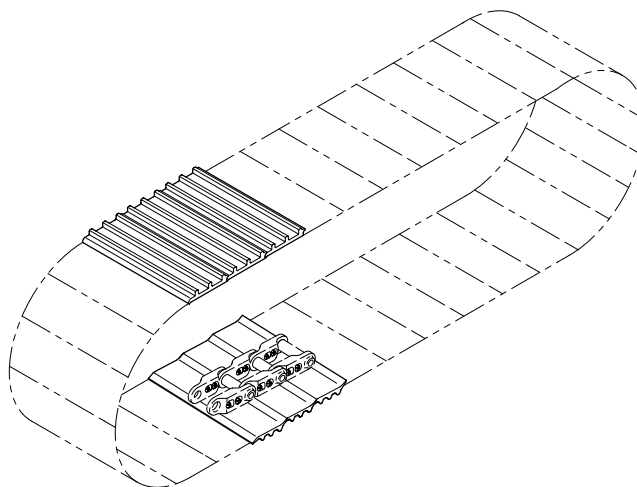
Track chain assy



Model	500 mm		600 mm		700 mm		800 mm		900 mm	
	Part no.	Qty	Part no.	Qty	Part no.	Qty	Part no.	Qty	Part no.	Qty
42HDLL 39HDRB	-		-		81W2-20900* ^{2,7}	1	-		-	
R290LC-7	-		81N8-26030 #1312 81N8-26030BG #1313-	1	81N8-26040 #1312 81N8-26040BG #1313- 81N8-27040* ^{2,7,9} #0185-	1	81N8-26060 #1312 81N8-26060BG #1313-	1	81N8-26070 #1312 81N8-26070BG #1313-	1
R290LC-7A	-		81N8-26030 #0284 81N8-26030BG #0285-1413 81N8-25030BG #1033-	1	81N8-26040 #0284 81N8-26040BG #0285-1413 81N8-27040* ^{2,7,9} #0284 81N8-27041BG* ^{2,7,9} #0001- 81N8-25040BG #1033-	1	81N8-26060 #0284 81N8-26060BG #0285-1413 81N8-25060BG #1033-	1	81N8-26070 #0284 81N8-26070BG #0285-1413 81N8-25070BG #1033-	1
R290LC-7H	-		81N8-26030	1	81N8-26040	1	81N8-26060	1	81N8-26070	1
R290LC-9	-		81N8-26030GG #0462 81N8-25030GG* ¹⁶	1	81N8-26040GG #0462 81N8-27041GG* ^{7,9} 81N8-25040GG* ¹⁶	1	81N8-26060GG #0462 81N8-25060GG* ¹⁶	1	81N8-26070GG #0462 81N8-25070GG* ¹⁶	1
R305LC-7	-		81N8-26030 #0363 81N8-26030BG #0364-1011 81N8-25030BG #0579-	1	81N8-26040 #0363 81N8-26040BG #0364-1011 81N8-25040BG #0579-	1	81N8-26060 #0363 81N8-26060BG #0364-1011 81N8-25060BG #0579-	1	81N8-26070 #0363 81N8-26070BG #0364-1011 81N8-25070BG #0579-	1
R320LC	-		83E5-2005	1	83E5-2570* ²	1	-		-	
R320LC-3	-		83E5-2005	1	83E5-2570 83E5-25750* ³	1	83E5-2580	1	83E5-2590	1
R320LC-7	-		81N8-26030 #1110 81N8-26030BG #1111-1884	1	81N8-26040 #1110 81N8-26040BG #1111-1884 81N8-27040* ^{2,7,9}	1	81N8-26060 #1110 81N8-26060BG #1111-1884	1	81N8-26070 #1110 81N8-26070BG #1111-1884	1
R320LC-7A	-		81N8-26030 #0151 81N8-26030BG #0152-0558	1	81N8-26040 #0151 81N8-26040BG #0152-0558 81N8-27040* ^{2,7,9} #0151	1	81N8-26060 #0151 81N8-26060BG #0152-0558	1	81N8-26070 #0151 81N8-26070BG #0152-0558	1
R320LC-9	-		81N8-26030GG* ¹³ #0009 81N8-25030GG* ¹⁴	1	81N8-26040GG* ¹³ #0009 81N8-27041GG* ^{7,9} 81N8-25040GG* ¹⁴	1	81N8-26060GG* ¹³ #0009 81N8-25060GG* ¹⁴	1	81N8-26070GG* ¹³ #0009 81N8-25070GG* ¹⁴	1
R360LC-3	-		81EH-23510 #0019 81EH-20300 #0020-	1	81EH-25400 81EH-20400 81EH-25500* ³ 81EH-20500* ³	1	81EH-25600 #0019 81EH-20600 #0020-	1	81EH-25700 #0019 81EH-20700 #0020-	1
R360LC-7	-		81EH-20300 #0839 81EH-20301 #0840-0829 81EH-20301BG #0930-	1	81EH-20400 #0839 81EH-20401 #0840-0829 81EH-20401BG #0930 81EH-20500* ³ #0839 81EH-20501* ³ #0840-0829 81EH-20501BG* ³ #0930	1	81EH-20600 #0839 81EH-20601 #0840-0829 81EH-20601BG #0930-	1	81EH-20700 #0839 81EH-20701 #0840-0829 81EH-20701BG #0930-	1
R360LC-7A	-		81EH-20301 #0032-0077 81EH-20301BG #0078-0500 81NA-27030* ⁷ #0024-0077	1	81EH-20401 #0032-0077 81EH-20401BG #0078-	1	81EH-20501 #0032-0077 81EH-20501BG #0078-	1	81EH-20701 #0032-0077 81EH-20701BG #0078-	1
R380LC-9	-		81NA-25031GG 81NA-27031GG* ¹⁷	1	81NA-25041GG 81NA-27041GG* ¹⁷	1	81NA-25061GG	1	81NA-25071GG	1
R450LC	-		81E7-0131	1	81E7-0132* ² 81E7-0130* ³	1	81E7-0133* ⁴	1	81E7-0134	1

*¹⁶160 mm *²710 mm *³750 mm *⁴810 mm *⁵960 mm *⁶Single grouser shoe *⁷Double grouser shoe *⁸400 mm *⁹High walker
 ※ Qty is each side *¹⁰910 mm *¹¹Swamp shoe *¹²Rubber track *¹³INI *¹⁴DCF *¹⁵Triple grouser shoe *¹⁶KUT *¹⁷2bar

Track chain assy

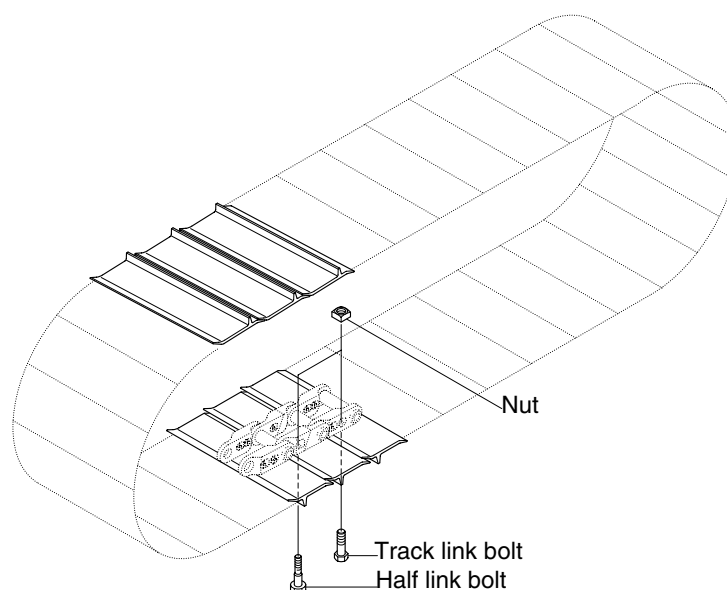


Hydraulic excavator

Model	500 mm		600 mm		700 mm		800 mm		900 mm	
	Part no.	Qty	Part no.	Qty	Part no.	Qty	Part no.	Qty	Part no.	Qty
R450LC-3	-		84E7-00140	1	84E7-00510 84E7-00150* ³	1	84E7-00160	1	84E7-00520	1
R450LC-7	-		84E7-00140 84E7-00141 84E7-00141BG 81NB-27030* ⁷ 81NB-27031* ⁷ 81NB-27031BG* ⁷ 81NB-25030BG* ¹⁶	1	84E7-00510 84E7-00511 81NB-00150* ³ 81NB-00151* ³ 81NB-00151BG* ³ 81NB-27040* ⁷ 81NB-27041* ⁷ 81NB-27041BG* ⁷ 81NB-25040BG* ¹⁶ 81NB-25050BG* ^{3,16}	1	84E7-00160 84E7-00161 84E7-00161BG 81NB-25060BG* ¹⁶	1	84E7-00520 84E7-00521 84E7-00521BG 81NB-25070BG* ¹⁶	1
R450LC-7A	-		84E7-00140 84E7-00141 84E7-00141BG 81NB-27030* ⁷ 81NB-27031* ⁷ 81NB-27031BG* ⁷ 81NB-25030BG* ¹⁶	1	84E7-00510 84E7-00511 84E7-00511BG 84E7-00150* ³ 84E7-00151* ³ 81NB-27040* ⁷ 81NB-27041* ⁷ 81NB-27041BG* ⁷ 81NB-25040BG* ¹⁶ 81NB-25050BG* ^{3,16}	1	84E7-00160 84E7-00161 84E7-00161BG 81NB-25060BG* ¹⁶	1	84E7-00520 84E7-00521 84E7-00521BG 81NB-25070BG* ¹⁶	1
R480LC-9	-		81NB-25031GG 81NB-27032GG	1 1	81NB-25041GG 81NB-27042GG	1 1	81NB-25061GG	1	81NB-25071GG	1
R500LC-7	-		84E7-00140 84E7-00141 84E7-00141BG 81NB-27030* ⁷ 81NB-27031* ⁷ 81NB-27031BG* ⁷ 81NB-25030BG* ¹⁶	1	84E7-00510 84E7-00511 84E7-00511BG 84E7-00150* ³ 84E7-00151* ³ 81NB-27040* ⁷ 81NB-27041* ⁷ 81NB-27041BG* ⁷ 81NB-25040BG* ¹⁶ 81NB-25050BG* ^{3,16}	1	84E7-00160 84E7-00161 84E7-00161BG 81NB-25060BG* ¹⁶	1	84E7-00160 84E7-00161 84E7-00521BG 81NB-25070BG* ¹⁶	1
R500LC-7A	-		84E7-00140 84E7-00141 84E7-00141BG 81NB-27030* ⁷ 81NB-27031* ⁷ 81NB-27031BG* ⁷ 81NB-25030BG* ¹⁶	1	84E7-00510 84E7-00511 84E7-00511BG 84E7-00150* ³ 84E7-00151* ³ 81NB-27040* ⁷ 81NB-27041* ⁷ 81NB-27041BG* ⁷ 81NB-25040BG* ¹⁶ 81NB-25050BG* ^{3,16}	1	84E7-00160 84E7-00161 84E7-00161BG 81NB-25060BG* ¹⁶	1	84E7-00160 84E7-00161 84E7-00521BG 81NB-25070BG* ¹⁶	1
R520LC-9	-		81NB-25031GG 81NB-27032GG* ¹⁷	1	81NB-25041GG 81NB-27042GG* ¹⁷	1	81NB-25061GG	1	-	
R800LC-7A	-		-		81NB-26040	1	-		-	

*¹⁶610 mm *²710 mm *³750 mm *⁴810 mm *⁵960 mm *⁶C: Single grouser shoe *⁷Double grouser shoe *⁸400 mm *⁹High walker
 ※ Qty is each side *¹⁰910 mm *¹¹Swamp shoe *¹²Rubber track *¹³INI *¹⁴DCF *¹⁵Triple grouser shoe *¹⁶KUT *¹⁷2bar

Track chain assy and track shoe



Crawler Dozer

Model	406 mm chain assy		635 mm chain assy		406 mm shoe		635 mm shoe	
	Part no.	Qty	Part no.	Qty	Part no.	Qty	Part no.	Qty
H70	85D1-80010	1	-		CR4583/16* ¹ CR4584/16* ²	36 1	-	
H70LGP	-		85D1-80020	1	-		CR4583/25* ¹ CR4584/25* ²	36 1
H80	85D2-80010* ¹	1	-		CR4358/16* ¹	37	-	
H80LGP	-		85D2-80020	1	-		CR4358/25* ¹	37

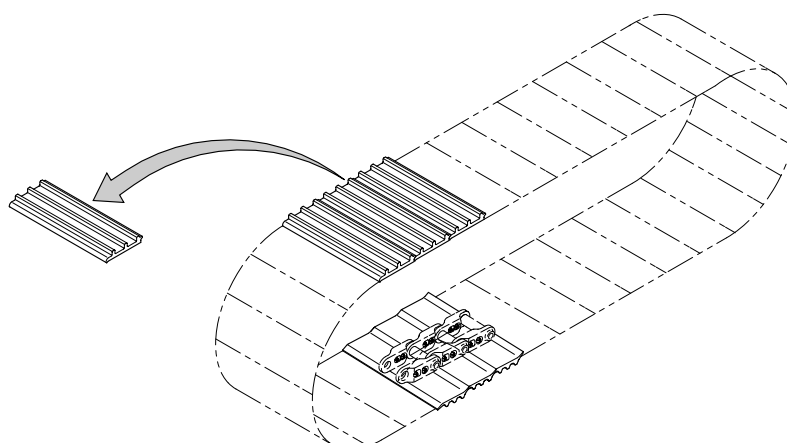
*¹Single grouser shoe

*²Single master shoe

※Qty is each side

Model	Half link bolt	Track link bolt	Nut
	Part no.	Part no.	Part no.
H70 H70LGP	VA551	CR4595	IN1319A
H80 H80LGP	CR4357 CR3570	AC266A	CR1250B

Track shoe

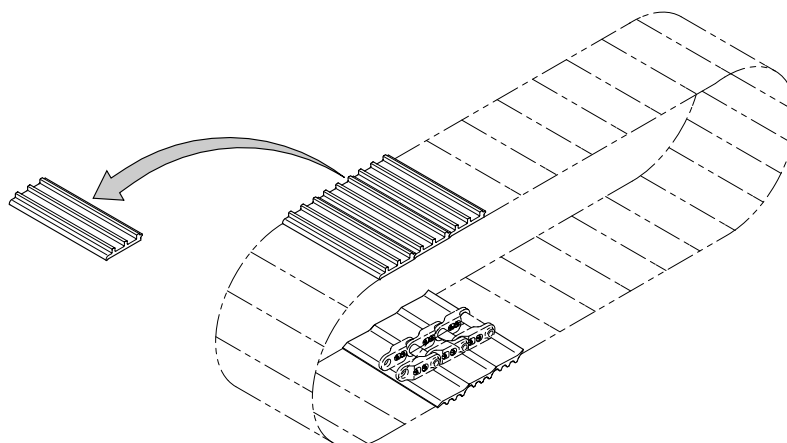


Hydraulic excavator

Model	500 mm		600 mm		700 mm		800 mm		900 mm	
	Part no.	Qty	Part no.	Qty	Part no.	Qty	Part no.	Qty	Part no.	Qty
R16-9	81MJ-28020* ^{17,19}	2	-		-		-		-	
R27Z-9	81MK-27010* ^{15,17}	2	-		-		-		-	
R35Z-7	81MH-26010* ¹⁵	43	-		-		-		-	
R35Z-7A	81MH-26010* ¹⁵	43	-		-		-		-	
R35Z-9	81MH-26010GG* ¹⁵	43	-		-		-		-	
R55-3	81M5-51090* ⁹	40	-		-		-		-	
R55-7	81M5-51090* ⁹ #3289 81M9-27560 #3290	40	-		-		-		-	
R55-7A	81M9-26510* ¹⁶ #0151-0151 81M9-24510* ^{14,16} #0151-0151 81M5-51090* ⁹ #0150 81M9-27510* ⁹ #0151- 81M9-25510* ^{9,14} #0151-	40	-		-		-		-	
R55-9	81M9-26510* ^{13,16} #1100 81M9-24510* ^{14,16}	40	-		-		-		-	
R80-7	81N1-26510* ¹¹ #0370	38	81N1-26530 #0370	38	-		-		-	
R80-7A	81N1-26510* ^{11,13} #0045 81N1-24510* ^{11,14} #0023-	38	81N1-26530* ¹³ #0045 81N1-24530* ¹⁴ #0023-	38	-		-		-	
R110-7	81N3-26520 #0457 81N3-26520BG #0458-0616 81N3-24520 #0457 81N3-24520BG #0531- 81N3-25520* ¹⁷ #0457 81N3-23520* ¹⁷ #0531- 81N3-29520* ¹⁸ #0384-0388 81N3-29521* ¹⁷ #0399-	41	81N3-26530 #0531 81N3-26530BG #0458-0616 81N3-24530 #0457 81N3-24530BG #0531-	41	81N3-26540 #0457 81N3-26540BG #0458- 81N3-24540 #0457 81N3-24540BG #0458-	41	-		-	
R110-7A	81N3-26520BG* ¹³ #001-0069 81N3-24520BG* ¹⁴ #0030- 81N3-25520* ¹⁷ #0029 81N3-23520* ¹⁷ #0029 81N3-23521* ¹⁸ #0030-	41	81N3-26530BG* ¹³ #001-0069 81N3-24530BG* ¹⁴ #0030-	41	81N3-26540BG* ¹³ #001-0069 81N3-24540BG* ¹⁴ #0030-	41	-		-	
R130LC	81E6-2505	46	81E6-2507	46	81E6-2507	46	-		-	
R130LC-3	81E6-2505 #0981 81E6-26010 #0982-1630 81E6-26011 #1631-	46	81E6-2502 #0981 81E6-26020 #0982-1630 81E6-26021 #1631-	46	81E6-2507* ² #0981 81E6-26030 #0982-1630 81E6-26031 #1631-	46	81E6-26040 #0982-1630 81E6-26041 #1631-	46	-	
R130LCM-3	-		E182-2503	47	81E6-26030 #0630 E181-2506 #0631-1903 E181-25061 #1904- RL101-3018* ^{2*8}	47	81E6-26040 #0630 E181-2508 #0631-1903 E181-25081 #1904-	47	81E6-25090* ^{5,6} #0630 81E6-27090* ^{5,6} #0631-	47
R140LC-7	81E6-26011* ¹³ #2935 81E6-26011BG* ¹³ #2936-3417 81N4-24520BG* ¹⁴ #3149-	46	81E6-26021* ¹³ #2935 81E6-26021BG* ¹³ #2936-3417 81N4-24530BG* ¹⁴ #3149-	46	81E6-26031* ¹³ #2935 81E6-26031BG* ¹³ #2936-3417 81N4-24540* ¹⁴ #3419- 81N4-28540* ^{2,10,13} #2935 81N4-28540BG* ^{2,10,13} #2936- 81N5-24540BG* ^{2,10,14} #3149-3407	46	E181-25081* ^{10,13} #1083 E181-25081BG* ^{10,13} #2948- 81N5-24560BG* ^{10,14} #3149-3407	46	-	

*¹610 mm *²710 mm *³750 mm *⁴810 mm *⁵960 mm *⁶Single grouser shoe *⁷Swamp shoe *⁸Double grouser shoe *⁹400 mm
*¹⁰High walker *¹¹450 mm *¹²910 mm *¹³INI *¹⁴DCF *¹⁵300 mm *¹⁶380 mm *¹⁷Rubber shoe *¹⁸Rubber pad for rubber track
*¹⁹230 mm

Track shoe

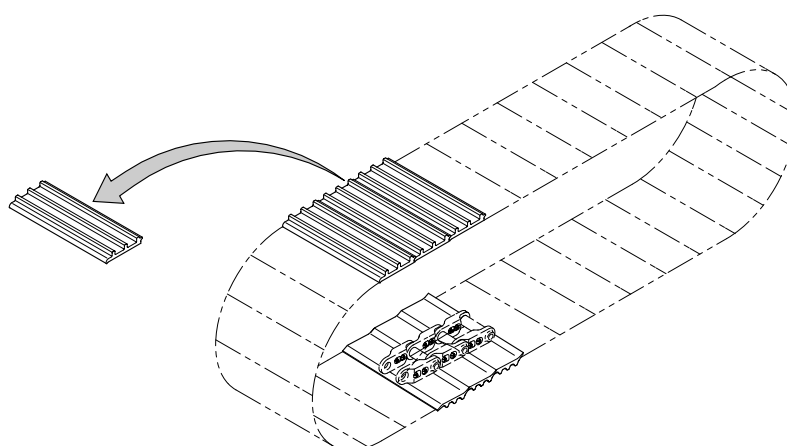


Hydraulic excavator

Model	500 mm		600 mm		700 mm		800 mm		900 mm	
	Part no.	Qty	Part no.	Qty	Part no.	Qty	Part no.	Qty	Part no.	Qty
R140LC-7A	81E6-26011BG*13 #0439 81N4-24520BG*14 #0398-	46	81E6-26021BG*13 #0439 81N4-24530BG*14 #0398-	46	81E6-26031BG*13 #0439 81N4-24540*14 81N4-28540BG*2,10,13 81N5-24540BG*2,10,14 #0388-0439	46	E181-25081BG*10,13 #0439 81N5-24560BG*10,14 #0388-0439	46	-	-
R140LC-9	81E6-26011*13 #0050 81N4-24520*14	46	81E6-26021*13 #0050 81N4-24530*14	46	81N3-26031*13 #0050 81N4-24540*14	46	E181-25081*13 #0050 81N4-24560*13 #0047	47	-	-
R160LC-3	E181-2503	49	E182-2503	49	E181-2506 #0303 E181-25061 #0304-	49	E181-2508 #0303 E181-25081 #0304-	49	-	-
R160LC-7	E181-2503*13 #0901 E181-2503BG*13 #000-1188 81N5-24520BG*14 #0951-	49	E182-2503*13 #0900 E182-2503BG*13 #001-1188 81N5-24530BG*14 #0951-	49	E181-25061*13 #0900 E181-25061BG*13 #001-1188 81N5-24540BG*14 #0951-	49	-	-	-	-
R160LC-7A	E181-2503BG*13 #0202 81N5-24520BG*14 #0128-	49	E182-2503BG*13 #0202 81N5-24530BG*14 #0128-	49	E181-25061*13 #0128 81N5-24540*14 #0128-	49	-	-	-	-
R160LC-9	E181-2503*13 #0005 81N5-24520*14	49	E182-2503*13 #0005 81N5-24530*14	49	E181-25061*13 #0005 81N5-24540*14	49	-	-	-	-
R180LC-3	E181-2503	51	E182-2503	51	E181-2506 #0525 E181-25061 #0526-	51	E181-2508 #0525 E181-25081 #0526-	51	-	-
R180LC-7	E181-2503*13 #0445 E181-2503BG*13 #046-0486 81N5-24520BG*14 #0467-	51	E182-2503*13 #0445 E182-2503BG*13 #046-0486 81N5-24530BG*14 #0467-	51	E181-25061*13 #0445 E181-25061BG*13 #046-0486 81N5-24540BG*14 #0467-	51	E181-25081*13 #0445 E181-25081BG*13 #046-0486 81N5-24560BG*14 #0467-	51	-	-
R180LC-7A	E181-2503BG*13 #0105 81N5-24520BG*14 #0074-	51	E182-2503BG*13 #0105 81N5-24530BG*14 #0074-	51	E181-25061BG*13 #0105 81N5-24540BG*14 #0074-	51	E181-25081BG*13 #0105 81N5-24560BG*14 #0074-	51	-	-
R180LC-9	81N5-24520*14	51	81N5-24530*14	51	81N5-24540*14	51	81N5-24560*14	51	-	-
R200LC	-	-	E181-2503*1	51	E181-2506*2	51	E181-2508*2	51	E181-2510*7	51
R210LC-3	-	-	81EM-28030	49	81EM-28040 81W1-10010*2*10	49	81EM-28060	49	-	-
R210LC-3LL	-	-	81EM-28030	49	81EM-28040 81W1-10010*2*7	49	81EM-28060 81EM-28010*2*7	49	81EM-28080*7	49
33HDLL	-	-	81E5-2502	51	81E5-2507 81E9-28610*2*7	51	81E5-2508	51	-	-
R210LC-7	-	-	81EM-28030*13 #0413 81EM-28031*13 #041-7171 81EM-28031BG*13 #172-4023 81N6-22530BG*13 #7879- 81N6-25530*14 #1387-2747 81N6-25530BG*14 #7172- 81EM-28030*10 #0413 81EM-28030BG*10 #7172- 81EM-28630BG*8 #8055-	49	81EM-28040*13 #7171 81EM-28040BG*13 #172-7878 81EM-24540BG*13 #7879- 81EM-25540*14 #1387-2747 81EM-28610*2,8,10 #0341- 81EM-28610BG*2,8,10 #7172- 81EM-28040*10 #0341- 81EM-28040BG*10 #172-7878	49	81EM-28060*13 #7171 81EM-28060BG*13 #172-4023 81N6-24560BG*13 #9483- 81N6-25560*14 #1387-2747 81EM-28010*4,8,10 #0341- 81EM-28010BG*4,8,10 #7172- 81EM-28060*10 #0341- 81EM-28060BG*10 #172-4023	49	81EM-28070*13 #1820-7171- 81EM-28070BG*13 #7172- 81N6-24570*14 #1387-2747 81N6-24570BG*14 #7172-	49
R210LC-7A	-	-	81EM-28031BG*13 #0701 81N6-22530BG*13 #0436- 81EM-28630BG*8 #0493-	49	81EM-28040BG*13 #0701 81EM-24540BG*13 #0436- 81E5-28610BG*2,8,10 #7172- 81EM-28040BG*10 #0435-	49	81EM-28060BG*13 #0701 81N6-24560BG*13 #0436- 81EM-28060BG*10 #0435- 81EM-28010BG*4,8 #0436-	49	81EM-28070BG*13 #0701 81N6-24570BG*14 #0436- 81EM-28080BG*12,14 #0701	49
R210LC-9	-	-	81EM-28031*13,15 #1077 81N6-24570*14,15 81EM-24530*14,16	49	81EM-28040*13 #1077 81N6-24540*14	49	81EM-28060*13 #1077 81N6-24560*14	49	81EM-28070*13 #1077 81N6-24570*14 81EM-28080*12,14 #1077	49
R210NLC-7	81N6-26520 #0514 81N6-26520BG*14 #0515-	49	81EM-28031 #0514 81EM-28031BG #0515-	49	81EM-28040 #0514 81EM-28040BG #0515-	49	-	-	-	-

*1 610 mm *2 710 mm *3 750 mm *4 810 mm *5 960 mm *6 Single grouser shoe *7 Swamp shoe *8 Double grouser shoe
*9 400 mm *10 High walker *12 910 mm *13 INI *14 DCF *15 8T *16 10T

Track shoe



Hydraulic excavator

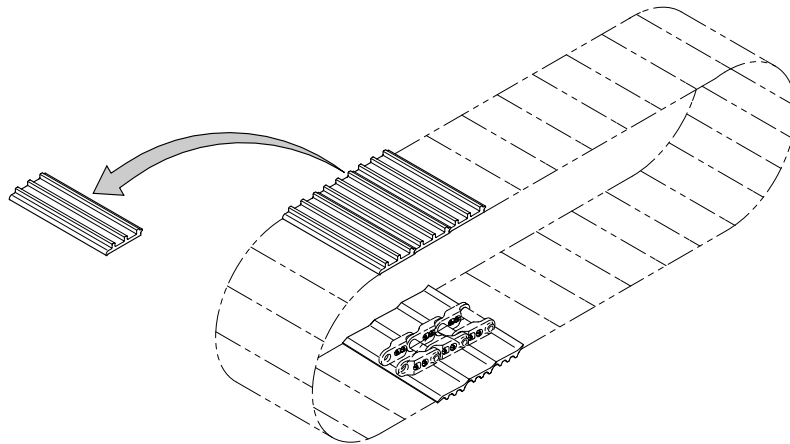
Model	500 mm		600 mm		700 mm		800 mm		900 mm	
	Part no.	Qty	Part no.	Qty	Part no.	Qty	Part no.	Qty	Part no.	Qty
R210NLC-7A	81N6-26520BG*13 #0170 81N6-24520BG*14 #0153-	49	81EM-28031BG #0050 81N6-22530BG #0051- 81EM-28630BG*8 #0067-	49	81EM-28040BG #0050 81N6-24540BG #0051-	49	-		-	
R210NLC-9	81N6-24520	49	81N6-22530	49	81N6-24540	49	-		-	
R250LC-3	-		81EM-28030	51 48	81EM-28040 81N8-26540*10 81N8-27540*2*10	51 48 48	81EM-28060 81N8-26560*10	51 48	81EM-28070	51
R250LC-7	-		81EM-28030 #1102 81EM-28030BG #1103-1733 81N8-26530*10 #1102 81N8-26530BG*10 #1103-1334	51 48	81EM-28040 #1102 81EM-28040BG #1103-1733 81N8-26540*10 #1102 81N8-26540BG*10 #1103-1334 81NB-27540*2*10 #1117 81NB-27540BG*2*10 #1118-	51 48 48	81EM-28060 #1102 81EM-28060BG #1103-1733 81N8-26560*10 #1102 81N8-26560BG*10 #1103-1334	51 48	81EM-28070 #1102 81EM-28070BG #1103-1733	51
R250LC-7A	-		81EM-28030BG*13 #0306 81N6-24530BG*14 #0200- 81N8-26530BG*10 #0239 81N8-25530BG*10 #0240-	51 48	81EM-28040BG*13 #0306 81N6-24540BG*14 #0200- 81N8-26540BG*10 #0239 81N8-25540BG*10 #0240- 81NB-27541BG*2,8,10 #0118-	51 48 48	81EM-28060BG*13 #0306 81N6-24560BG*14 #0200- 81N8-26560BG*10 #0239 81N8-25560BG*10 #0240-	51 48	81EM-28070BG*13 #0306 81N6-24570BG*14 #0200-	51
R250LC-9	-		81EM-28030*13 81N6-24530*14 81N6-25530*15	48	81EM-28040*13 81N6-24540*14 81N8-25540*15	48	81EM-28060*13 81N6-24560*14 81N8-25560*15	48	81EM-28070*13 81N6-24570*14	48

*1 610 mm *2 710 mm *3 750 mm *4 810 mm *5 960 mm *6 Single grouser shoe *7 Swamp shoe *8 Double grouser shoe

*9 400 mm *10 High walker *12 900 mm *13 INI *14 DCF *15 Triple grouser shoe

Undercarriage

Track shoe



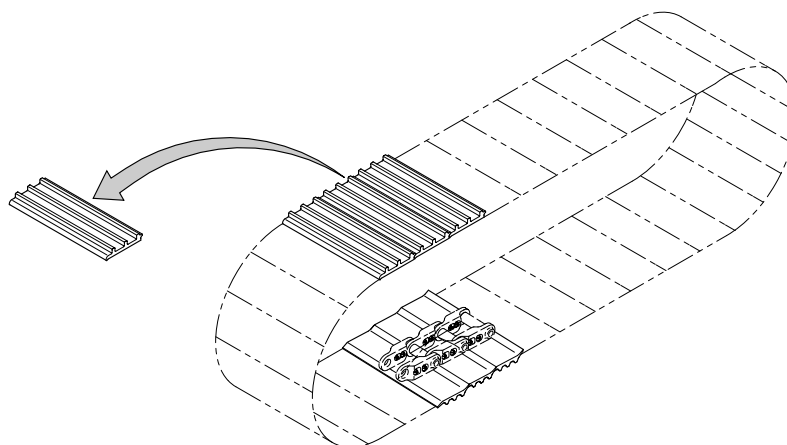
Hydraulic excavator

Model	500 mm		600 mm		700 mm		800 mm		900 mm	
	Part no.	Qty	Part no.	Qty	Part no.	Qty	Part no.	Qty	Part no.	Qty
R280LC	-		E282-2502	47	E282-2506	47	E282-2508	47	E282-2509	47
R290LC	-		81E5-2502	51	81E5-2507*2	51	81E5-2508	51	83E5-2509	51
R290LC-3	-		81E5-2502	51	81E5-2507 81E5-25100*3 81W2-10010*2*10	51	81E5-2508	51	81E5-2509	51
R290LC-3LL R290LC-3RB	-		-		81W2-10010*2*8	51	-		-	
42HDLL 39HDRB	-		-		81W2-10070*2*8	51	-		-	
R290LC-7	-		81N8-26530 #1312 81N8-26530BG #1313-	48	81N8-26540 #1312 81N8-26540BG #1313- 81N8-27540*2,8,10 #1312 81N8-27540BG*2,8,10 #1313-	48	81N8-26560 #1312 81N8-26560BG #1313-	48	81N8-26570 #1312 81N8-26570BG #1313-	48
R290LC-7A	-		81N8-26530 #0284 81N8-26530BG #0285-1413	48	81N8-26540 #0284 81N8-26540BG #0285-1413 81N8-27540*2,8,10 #0284 81N8-27540BG*2,8,10 #0285-	48	81N8-26560 #0284 81N8-26560BG #0285-1413	48	81N8-26570 #0284 81N8-26570BG #0285-1413	48
R290LC-9	-		81N8-26530GG #0462 81N8-25530GG*16	48	81N8-26540 #0462 81N8-27050*8,10 81N8-25050*16	48	81N8-26560 #0462 81N8-25560*16	48	81N8-26570 81N8-25570*16	48
R290LC-7H	-		81N8-26530	48	81N8-26540	48	81N8-26560	48	81N8-26570	48
R305LC-7	-		81N8-26530 #0363 81N8-26530BG #0364-1011	48	81N8-26540 #0363 81N8-26540BG #0364-1011	48	81N8-26560 #0363 81N8-26560BG #0364-1011	48	81N8-26570 #0363 81N8-26570BG #0364-1011	48
R320LC	-		81E5-2502	51	81E5-2507*2	51	81E5-2508*4	51	81E5-2509	51
R320LC-3	-		81E5-2502	51	81E5-2507 81E5-25100*3	51	81E5-2508	51	81E5-2509	51
R320LC-7	-		81N8-26530 #1110 81N8-26530BG #1111-1884	48	81N8-26540 #1110 81N8-26540BG #1111-1884 81N8-27540*2,5,10 #1110 81N8-27540BG*2,8,10 #1111-1884	48	81N8-26560 #1110 81N8-26560BG #1111-1884	48	81N8-26570 #1110 81N8-26570BG #1111-1884	48
R320LC-7A	-		81N8-26530 #0151 81N8-26530BG #0152-0558	48	81N8-26540 #0151 81N8-26540BG #0152-0558 81N8-27540*2,8,10 #0151 81N8-27540BG*2,8,10 #0152-	48	81N8-26560 #0151 81N8-26560BG #0152-0558	48	81N8-26570 #0151 81N8-26570BG #0152-0558	48

*1 610 mm *2 710 mm *3 750 mm *4 810 mm *5 960 mm *6 Single grouser shoe *7 Swamp shoe *8 Double grouser shoe
*9 400 mm *10 High walker *12 900 mm *13 INI *14 DCF *15 Triple grouser shoe *16 KUT

Undercarriage

Track shoe



Hydraulic excavator

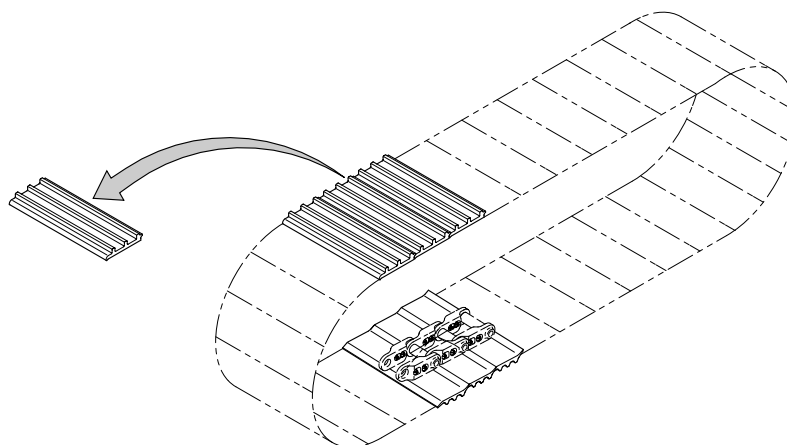
Model	500 mm		600 mm		700 mm		800 mm		900 mm	
	Part no.	Qty	Part no.	Qty	Part no.	Qty	Part no.	Qty	Part no.	Qty
R320LC-9	-		81N8-26530* ¹³ #0009 81N8-25530* ¹⁴	48	81N8-26540* ¹³ #0009 81N8-27541GG* ^{8,10} 81N8-25540* ¹⁴	48	81N8-26560* ¹³ #0009 81N8-25560* ¹⁴	48	81N8-26570* ¹³ #0009 81N8-25570* ¹⁴	48
R360LC-3	-		81E7-0020 #0019 81EH-28030 #0020	48	81EH-28540 #0019 81EH-28040 #0020 81E7-0132* ³ #0019 81EH-28050* ³ #0020	48	81EH-28560 #0019 81EH-28060 #0020	48	81E7-0133 #0019 81EH-28070 #0020	48
R360LC-7	-		81EH-28030 #0839 81EH-28031 #0840-0929 81EH-28031BG #0930	51	81EH-28040 #0839 81EH-28041 #0840-0929 81EH-28041BG #0930 81EH-28050* ³ #0839 81EH-28051* ³ #0840-0929 81EH-28051BG* ³ #0930	51	81EH-28060 #0839 81EH-28061 #0840-0929 81EH-28061BG #0930	51	81EH-28070 #0839 81EH-28071 #0840-0929 81EH-28071BG #0930	51
R360LC-7A	-		81EH-28031 #0032-0077 81EH-28031BG #0078-0500 81NB-27531* ⁸ #0077 81NB-27531BG* ⁸ #0078	51	81EH-28041 #0032-0077 81EH-28041BG #0078-0500 81EH-28051* ³ #0032-0077 81EH-28051BG* ³ #0078-0500	51	81EH-28061 #0032-0077 81EH-28061BG #0078-0500	51	81EH-28071 #0032-0077 81EH-28071BG #0078-0500	51
R380LC-9	-		81NA-25530 81NB-27531* ¹⁵	51	81NA-25540 81NB-27541* ¹⁵ 81NA-25550* ³	51	81NA-25560	51	81NA-25570	51
R450LC	-		81E7-0020	53	82E7-0023* ² 82E7-0024* ³	53	82E7-0010* ⁴	53	81E7-0020	53
R450LC-3	-		84E7-00570	53	84E7-00580 84E7-00590* ³	53	84E7-00600	53	84E7-00610	53
R450LC-7	-		84E7-00570* ¹¹ #0595 84E7-00571* ¹¹ #0596-0751 84E7-00571BG* ¹¹ #0752-0949 81NB-25530BG* ¹² #0845- 81NB-27530* ⁸ #0505-0595 81NB-27531* ⁸ #0596-0751 81NB-27531BG* ⁸ #0752-	53	84E7-00580 #0001-0295 84E7-00581 #0596-0751 84E7-00581BG #0752- 81NB-25540BG* ¹² #0845- 81NB-25550BG* ^{3,12} #0845- 84E7-00590* ³ #0001-0595 84E7-00591* ³ #0596-0751 84E7-00591BG* ³ #0752- 81NB-27540* ⁸ #0505-0595 84NB-27541* ⁸ #0596-0751 84NB-27541BG* ⁸ #0752-	53	81E7-00600 #0595 81E7-00601 #0596-0751 81E7-00601BG #0752-0949 81NB-25560BG* ¹² #0845-	53	81E7-00600 #0595 81E7-00601 #0596-0751 81E7-00601BG #0752- 81NB-25070BG* ¹² #0845-0949	53
R450LC-7A	-		84E7-00570* ¹¹ #0066 84E7-00571* ¹¹ #0067-0125 84E7-00571BG* ¹¹ #0126-0125 81NB-25530BG* ¹² #0233- 81NB-27530* ⁸ #0066 81NB-27531* ⁸ #0067-0125 81NB-27531BG* ⁸ #0126-	53	84E7-00580 #0066 84E7-00581 #0067-0125 84E7-00581BG #0126-0299 81NB-25540BG* ¹² #0233- 81NB-25550BG* ^{3,12} #0233- 81E7-00590* ³ #0066 81E7-00591* ³ #0067-0125 81E7-00591BG* ³ #0126-0299 81NB-27540* ⁸ #0066 81NB-27541* ⁸ #0067-0125 81NB-27541BG* ⁸ #0126-	53	84E7-00600 #0066 84E7-00601 #0067-0125 84E7-00601BG #0126- 81NB-25560BG* ¹² #0233-	53	84E7-00610 #0066 84E7-00611 #0067-0125 84E7-00611BG #0126- 81NB-25070BG* ¹² #0233-0299	53

*¹610 mm *²710 mm *³750 mm *⁴810 mm *⁵960 mm *⁶Single grouser shoe *⁷Swamp shoe *⁸Double grouser shoe

*⁹400 mm *¹⁰High walker *¹²900 mm *¹³INI *¹⁴DCF *¹⁵2 bar

Undercarriage

Track shoe

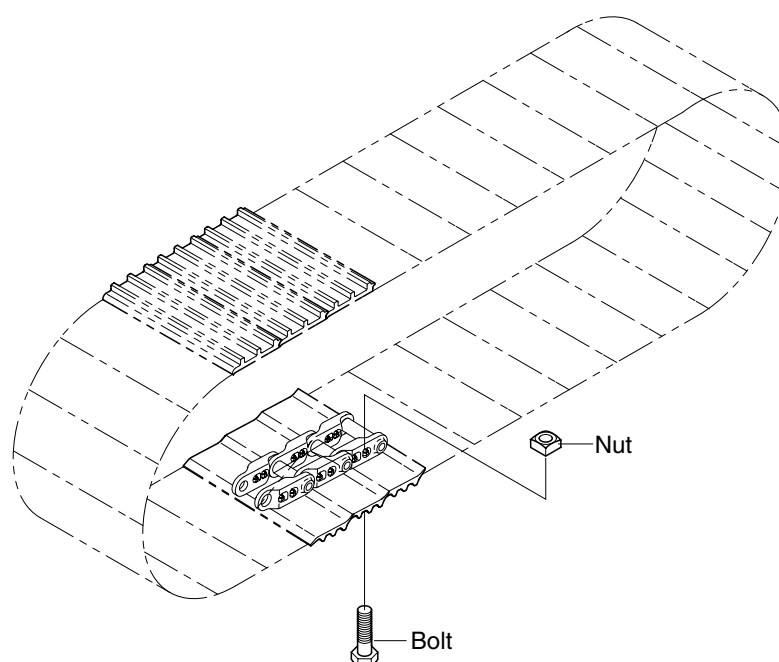


Hydraulic excavator

Model	500 mm		600 mm		700 mm		800 mm		900 mm	
	Part no.	Qty	Part no.	Qty	Part no.	Qty	Part no.	Qty	Part no.	Qty
R480LC-9	-		81NB-25530* ¹⁵ 81NB-27531* ¹⁶	53 53	81NA-25540* ¹⁵ 81NB-27541* ¹⁶ 81NB-25550* ^{3,15}	53 53 53	81NA-25560* ¹⁵	53	81NA-25570* ¹⁵	53
R500LC-7	-		84E7-00570* ¹¹ -#0041 84E7-00571* ¹¹ #0042-0166 84E7-00571BG* ¹¹ #0167-0338 81NB-25530BG* ¹² #0240- 81NB-27530* ⁸ #0014-0041 81NB-27531* ⁸ #0042-0166 81NB-27531BG* ⁸ #0167-	53	84E7-00580 -#0041 84E7-00581 #0042-0166 84E7-00581BG #0167-0338 81NB-25540BG* ¹² #0240- 81NB-25550BG* ^{3,12} #0240- 81NB-27540* ⁸ #0014-0041 81NB-27541* ⁸ #0042-0166 81NB-27541BG* ⁸ #0167- 84E7-00590* ³ -#0041 84E7-00591* ³ #0042-0166 84E7-00591BG* ³ #0167-0338	53	84E7-00600 -#0041 84E7-00601 #0042-0166 84E7-00601BG #0167-0338 81NB-25560BG* ¹² #0240-	53	84E7-00610 -#0041 84E7-00611 #0042-0166 84E7-00611BG #0167-	53
R500LC-7A	-		84E7-00570* ¹¹ -#0036 84E7-00571* ¹¹ #0037-0062 84E7-00571BG* ¹¹ #0063-0161 81NB-25530BG* ¹² #0128- 81NB-27530* ⁸ #0001-0036 81NB-27531* ⁸ #0037-0062 81NB-27531BG* ⁸ #0063-	53	84E7-00580 -#0036 84E7-00581 #0037-0062 84E7-00581BG #0063-0161 81NB-25540BG* ¹² #0128- 81NB-25550BG* ^{3,12} #0128- 81NB-27540* ⁸ -#0036 81NB-27541* ⁸ #0037-0062 81NB-27541BG* ⁸ #0063- 84E7-00590* ³ -#0036 84E7-00591* ³ #0037-0062 84E7-00591BG* ³ #0063-0161	53	84E7-00600 -#0036 84E7-00601 #0037-0062 84E7-00601BG #0063-0161 81NB-25560BG* ¹² #0128-	53	84E7-00610 -#0031 84E7-00611 0032-0062 84E7-00611BG #0063-	53
R520LC-9	-		81NB-25530* ¹⁵ 81NB-27531* ¹⁶	53	81NA-25540* ¹⁵ 81NB-27541* ¹⁶	53	81NA-25560* ¹⁵	53	-	
R800LC-7A	-		-		ZTAA-00070* ²	51	-		-	

*¹610 mm *²710 mm *³750 mm *⁴810 mm *⁵960 mm *⁶Single grouser shoe *⁷Swamp shoe *⁸Double grouser shoe
*⁹400 mm *¹⁰High walker *¹²900 mm *¹³INI *¹⁴DCF *¹⁵KUT *¹⁶2 bar

Bolt and nut



Bolt

Part no.	Applicable model	Remark
81E5-2503	**R250LC-3(#0270-), R290LC, R290LC-3(-#1160), R290LC-3H(-#1127), R320LC, R320LC-3(-#0122), 33HDLL	
81E6-2503	R130LC, R130LC-3(-#0981), R130LCM-3(*800mm, 960mm : -#0630)	
81E6-26060	R130LC-3(#0982-), R130LCM-3(700mm, *800mm : -#0630), R140LC-7, R140LC-7A, R140LC-9, R140CR-9	
81E7-0023	R360LC-3(-#0019), R360LC-3H(-#0034), R450LC, R450LC-3	
81EM-20020	R210LC-3, R210LC-3H, R210LC-3LL, 33HDLL, R210LC-7, *4R210LC-7(#0143-), R210LC-7A, R210LC-9, **R210LC-7A, R210LC-7H, R210NLC-7, R210NLC-9, R210NLC-7A, R235LCR-9, R250LC-3, R250LC-7, R250LC-7A, R250LC-9, R290LC-3(#1161-), R290LC-3H(#1128-), R290LC-7, R320LC, R320LC-3(#0123-)	
81EH-20040	*R210LC-9	
E181-2504	R130LCM-3(700mm, 710mm, *800mm, 960mm : #0631-), R140LC-7, *4R140LC-7, *4R140LC-7A, R140LC-9, R160LC-3, R160LC-7, R160LC-7A, R160LC-9, R180LC-3, R180LC-7, R180LC-7A, R180LC-9, R200LC, R200NLC-3	
E282-2503	R280LC	
81EH-20020	39HDRB, 42HDLL, R290LC-7(#0185-), *4R290LC-7A, *4R305LC-7, *4R320LC-7, *4R320LC-7A, R360LC-3(#0020-), R360LC-3H(#0035-), R360LC-7(-#0839), R450LC-3, R450LC-7(-#0595), R450LC-7A(-#0066), R500LC-7(-#0041), R500LC-7A(-#0031)	
81EH-20021	*4,5R250LC-9, *1,5R320LC-9, R360LC-7(#0840-), R360LC-7A, R450LC-7(#0596-), R450LC-7A(#0067-), R500LC-7(#0042-), R500LC-7A(#0032-)	
81EH-20022	R380LC-9, R480LC-8, R520LC-9	
81W2-10020	*4R250LC-3(-#0269), *4R290LC-3, R290LC-3LL/RB, R290LC-7(710mm)	
81M5-51100	R55-3, R55-7, R55-7A, R55-9, R320LC-9	
81N8-26610	*4R250LC-7, *4R250LC-7A, *4,6R250LC-9, R290LC-7, R290LC-7A, R290LC-7H, R290LC-9, R305LC-7, R320LC-7, R320LC-7A, R320LC-9	
81W1-10020	*4R210LC-3LL(810mm), *4R210LC-7(810mm, #0143-), R210NLC-7A(600mm, #0067-)	
81N3-26610	R110-7, R110-7A	
81N1-26610	R80-7, R80-7A	
ZTAA-00068	R800LC-7A	

*1 Assy p/no(81E6-25800)

*2 Assy p/no(81E6-26400)

*3 Assy p/no(81E6-27600)

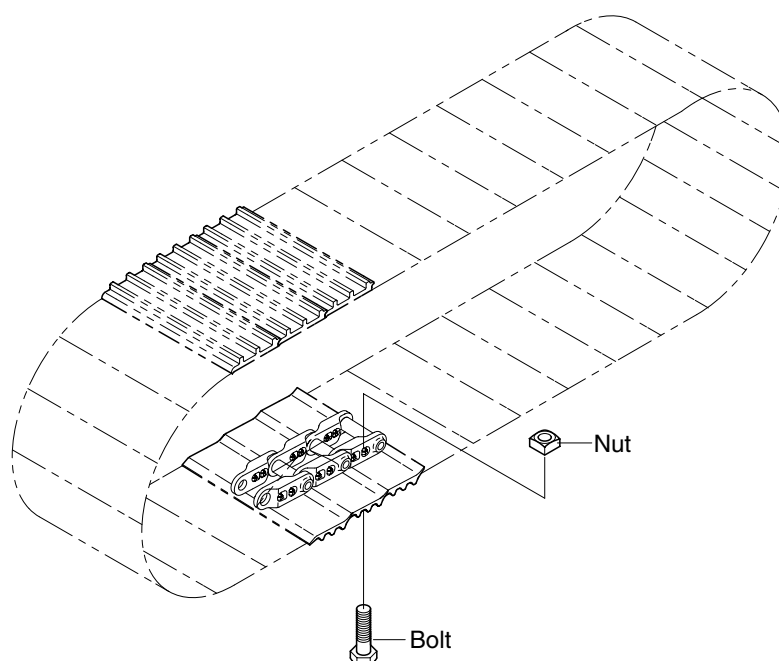
*4 High walker

*5 Double grouser shoe

*6 Triple grouser shoe

*7 910mm, DCF

Bolt and nut



Nut

Part no.	Applicable model	Remark
81E5-2504	33HDLL, * ⁴ R250LC-3, R290LC, R290LC-3(-#1160), * ⁴ R290LC-3, R290LC-3H(-#1127), R290LC-3LL, R290LC-3RB, R290LC-7, R320LC, R320LC-3(-#0122)	
81E6-2504	R130LC, R130LC-3(-#0981), R130LCM-3(* ⁸ 800mm, 960mm : -#0630)	
81E7-0022	R360LC-3(-#0019), R360LC-3H(-#0034), R450LC, R450LC-3	
81EM-20030	R210LC-3, R210LC-3H, R210LC-3LL, * ⁴ R210LC-7(#0143-), * ⁴ R210LC-7A, R250LC-3(-#0014)	
E181-2505	R130LC-3(#0982-), R130LCM-3(700mm, * ⁸ 800mm : #0001-, 600mm, 710mm, * ⁸ 800mm, 960mm : #0631-), R140LC-7, R140LC-7A, R140LC-9, R145CR-9, * ⁴ R140LC-7, * ⁴ R140LC-7A, * ⁴ R140LC-9, R160LC-3, R160LC-7, R160LC-7A, R160LC-9, R180LC-3, R180LC-7, R180LC-7A, R180LC-9, R200LC, R200NLC-3	
E282-2504	R280LC	
81EH-20030	39HDRB, 42HDLL, * ⁴ R290LC-7(#0185-), * ⁴ R290LC-7A, R290LC-9, * ⁴ R305LC-7, * ⁴ R320LC-7, * ⁴ R320LC-7A, R360LC-3(#0020-), R360LC-3H(#0035-), R360LC-7(-#0839), R450LC-3, R450LC-7(-#0595), R450LC-7A(-#0066), R500LC-7(-#0041), R500LC-7A(-#0031)	
81EH-20031	* ^{1,5} R250LC-9, * ^{1,5} R320LC-9, R360LC-7(#0840-), R360LC-7A, R380LC-9, R450LC-7(#0596-), R450LC-7A(#0067-), R480LC-9, R500LC-7(#0042-), R500LC-7A(#0032-), R520LC-9	
81M5-51110	R55-3, R55-7, R55-7A, 55-9	
81N6-26620	R210LC-3(#1473-), R210LC-3H(#0315-), R210LC-7, R210LC-7A, R210LC-9, R210LC-7H, R210NLC-7, R210NLC-7A, R210NLC-9, R235LCR-9, R250LC-3(#0015-), R250LC-7, R250LC-7A, R250LC-9, R290LC-3(#1161-), R290LC-3H(#1128-), R290LC-7, R320LC, R320LC-3(#0123-)	
81N8-26620	* ⁴ R250LC-7, * ⁴ R250LC-7A, * ^{1,5} R250LC-9, R290LC-7, R290LC-7A, R290LC-7H, R290LC-9, R305LC-7, R320LC-7, R320LC-7A, R320LC-9	
81N3-26620	R110-7, R110-7A	
81N1-26620	R80-7, R80-7A	
ZTAA-00069	R800LC-7A	

*¹Assy p/no(81E6-25800)

*²Assy p/no(81E6-26400)

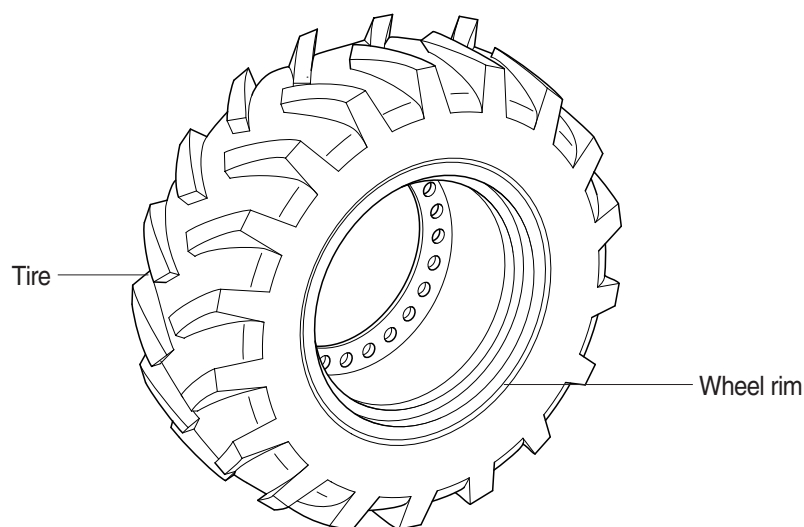
*³Assy p/no(81E6-27600)

*⁴High walker

*⁵Double grouser shoe

*⁶Tripple grouser shoe

Tire and wheel rim



Wheel excavator

Model	Specification	Tire & wheel rim assy		Tire		Wheel rim	
		Part no.	Qty	Part no.	Qty	Part no.	Qty
R55W-3	12.0x16.5-12PR*1*3	81M5-00160	4	81M5-00070	4	81M5-00040 81M5-00041	-#0094 #0095- 4
R55W-7	12.0x16.5-12PR*1*3	81M5-00160	#0001- 4	81M5-00070	#1019- 4	81M5-00041	#0001-0886 4
R55W-7A	12.0x16.5-12PR*2	81M5-00160	4	81M8-20010 81M5-00070	-#0027 #0028- 4	81M5-00042	4
R55W-9	12.0x16.5-12PR*2	81M5-00160GG	4	81M5-00070	4	81M5-00042GG	4
R95W-3	8.25x20-12PR*1*4	81EE-20100	8	81EE-00010	8	81EE-20040	8
R120W R130W	9.00x20-14PR*1*4	81EA-30120	8	81E3-20200	8	81E3-2004 81E3-20041	-#0126 #0127- 8
	9.00x20-14PR*2	81EA-21010	8	81EA-21020	8	81EA-20060	8
R130W-3	9.00x20-14PR*1*4	81EA-30120 81EA-32070	-#0163 #0164- 8	81E3-20200	8	81E3-20041 81E3-20042 81EA-32090	-#0150 #0151-0163 #0164- 8
	9.00x20-14PR*2	81EA-21010	8	81EA-21020	8	81EA-20060	8
R140W-7	9.00x20-14PR*1*4	81EA-32070 81EA-32070BG 81EA-32071BG	-#0619 #0620-0940 #0941 8	81E3-2001(KUMHO) 81E3-2001H(HANKOOK)	#0001- 8	81EA-32090 81EA-32090BG 81EA-32091BG	-#0619 #0620-0940 #0941 8
R140W-7A	9.00x20-14PR*1*4	81EA-32070BG 81EA-32071BG	-#0273 #0274- 8	81E3-20200(KUMHO) 81E3-20200H(HANKOOK)	8	81EA-32090BG 81EA-32091BG	-#0273 #0274- 8
	9.00x20-14PR*2	81EA-22010BG 81EA-22011BG	-#0273 #0274- 8	81EA-21020	8		
R140W-9	9.00x20-14PR*1*4	81EA-32070GG 81EA-32071GG	-#0005 #0006- 8	81E3-2001(KUMHO) 81E3-2001H(HUNGA)	8	81EA-32090GG 81EA-32091GG	-#0005 #0006- 8
	9.00x20-14PR*2	81EA-22010GG 81EA-22011GG	-#0005 #0006- 8	81E3-2001S(TYRES)	#0080- 8	81EA-32090GG 81EA-32091GG	-#0005 #0006- 8
	10.0x20-14PR*1*4	81N5-50100 81N5-50100GG	-#0005 #0006- 8	81E4-2001(KUMMO)	8	81N5-50010BG 81N5-50010GG	-#0005 #0006- 8
	10.0x20-14PR*2	81N5-50200 81N5-50200GG	-#0005 #0006- 8	81E4-21020*2	8	81N5-50010BG 81N5-50010GG	-#0005 #0006- 8
R170W-3	10.0x20-14PR*1*4	81E4-20100	8	81E4-20200	8	81E4-20080 81E4-20042	-#0384 #0385- 8
	10.0x20-14PR*2	81E4-21010	8	81E4-21020	8	81E4-20080	8
R170W-7	10.0x20-14PR*1*4	81E4-20100 81N5-50100 81N5-50100BG	-#0978 #0979-1255 #1256- 8	81E4-20200(KUMHO) 81E4-20200H(HANKOOK)	#0347- 8	81E4-20042 81N5-50010 81N5-50010BG	-#0978 #0979-1255 #1256- 8
	10.0x20-14PR*2	81E4-21010 81N5-50200 81N5-50200BG	-#0978 #0979-1255 #1256- 8	81E4-21020	8	81E4-20080 81N5-50200 81N5-50200BG	-#1255 #0979-1255 #1256- 8
R170W-7A	10.0x20-14PR*1*4	81N5-50100BG	#0001- 8	81E4-20200(KUMHO) 81E4-20200H(HANKOOK)	8	81N5-50010BG	8
	10.0x20-14PR*2	81N5-50200BG	#0001- 8	81E4-21020(KUMHO) 81E4-21020H(HANKOOK)	8	81N5-50010BG	8
R170W-9	10.0x20-14PR*1*4	81N5-50100GG	8	81E4-2001(KUMHO) 81E4-2002	8	81N5-50010GG	8
	10.0x20-14PR*2	81N5-50200GG	8	81E4-21020	8	81N5-50010GG	8

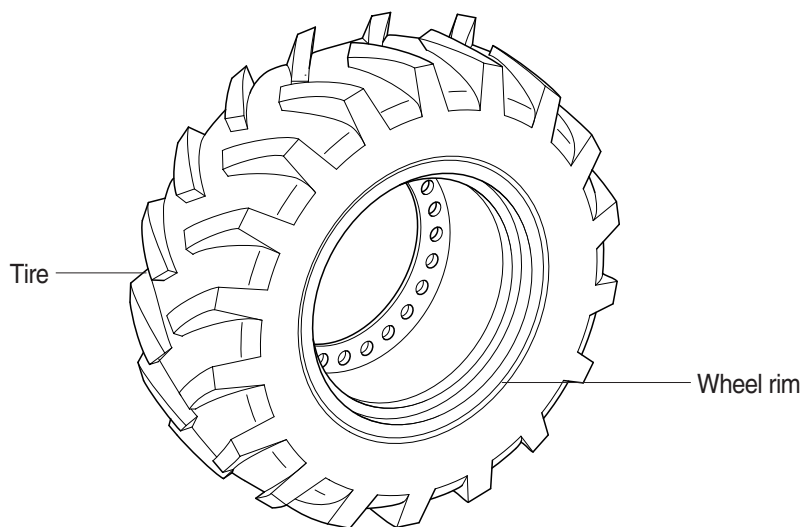
*1Pneumatic tire

*2Solid tire

*3Tubeless

*4Tube type

Tire and wheel rim



Wheel excavator

Model	Specification	Tire & wheel rim assy		Tire		Wheel rim			
		Part no.	Qty	Part no.	Qty	Part no.	Qty		
R200W R200W-3	10.0x20-14PR*1*4	81E4-20100	8	81E4-20200	8	81E4-20041 81E4-20042	-#0094 #0095-	8	
	10.0x20-14PR*2	81E4-21010	8	81E4-21020	8	81E4-20080		8	
R200W-7	10.0x20-14PR*1*4	81E4-20100 81N5-50100 81N5-50100BG	-#1148 #1149-1300 #1301-	8	81E4-20200(KUMHO) 81E4-20200H(HANKOOK)	-#1148 -#1148	81E4-20042 81N5-50010 81N5-50010BG	-#1148 #1149-1300 #1301-	8
	10.0x20-14PR*2	81N5-50200 81N5-50200BG	#1149-1300 #1301-	8	81E4-21020	#0001-1148	81N5-50010 81N5-50010BG	#1149-1300 #1301-	8
R200W-7A	10.0x20-14PR*1*4	81N5-50100BG	#0001-	8	81E4-20200(KUMHO) 81E4-20200H(HANKOOK)		81N5-50010BG		8
	10.0x20-14PR*2	81N5-50200BG	#0001-	8	81E4-21020		81N5-50010BG	#0001-	8
R210W-9	10.0x20-14PR*1*4	81N5-50100GG		8	81E4-20200(KUMHO) 81E4-20200S(TYRES)	#0106-	81N5-50010GG		8
	10.0x20-14PR*2	81N5-50200GG		8	81E4-21020		81N5-50010GG		8

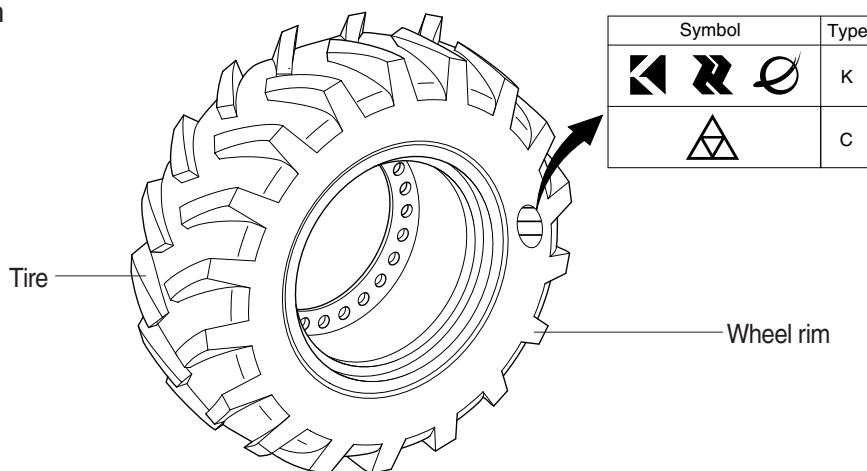
*1Pneumatic tire

*2Solid tire

*3Tubeless

*4Tube type

Tire and wheel rim

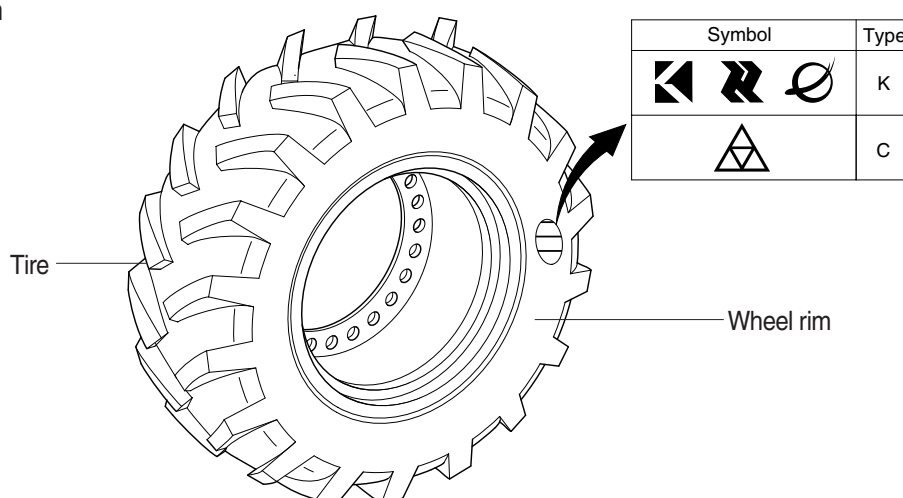


Wheel loader

Model	Specification	Tire & wheel rim assy		Tire		Wheel rim	
		Part no.	Qty	Part no.	Qty	Part no.	Qty
HL17	17.5x25-12PR(L3)	81L3-0139	4	81L3-0103	4	81L3-0101	4
	20.5x25-16PR(L3)	82L4-0071	4	81L1-3105	4	82L4-0072	4
HL25	20.5x25-16PR(L3)	82L4-0071	4	81L1-3105	4	82L4-0072	4
	23.5x25-20PR(L3)	81L1-3107	4	81L1-3105	4	82L1-1008	4
HL35	23.5x25-20PR(L3)	81L1-3107	4	81L1-3105	4	82L1-1008	4
	26.5x25-20PR(L3)	81L1-3107	4	81L1-3105	4	81L1-3102	4
HL720-3	15.5x25-12PR(L3)	81L9-00210	4	81L9-00090	4	81L9-00150	4
	15.5 R25 XHA★	81L9-00170	4	81L9-00160	4	81L9-00150	4
	15.5 R25 XTLA★	81L9-00200	4	81L9-00180	4	81L9-00150	4
	15.5x25-12PR(L2)	81L9-00101	4	81L9-00190	4	81L9-00150	4
HL730-3 HL730TM-3	17.5x25-12PR(L3)	81L8-00091	4	81L3-01030	4	81L8-00101 81L8-00102	-#0031 #0032- 4
	17.5 R25 XHA★	81L8-00200	4	81L8-00190	4	81L8-00101 81L8-00102	-#0031 #0032- 4
	17.5x25-12PR(L2)	81L8-00220 #0134-	4	81L8-00210 #0134-	4	81L8-00102 #0134-	4
HL730-7	17.5x25-12PR(L3)	81L8-00091(K)* ¹ #0066 81LG-40010(K)* ¹ #0067- 81LG-41000(C)* ¹ #0112-	4	81L3-01030(K)* ¹ #0067- 81L3-01030C(C)* ¹ #0112-	4	81L8-00102(K)* ¹ #0066 81LG-40100(K)* ¹ #0067- 81LG-40100(C)* ¹ #0112-	4
	17.5 R25 XHA★	81L8-00200 #0066 81LG-40020 #0067-	4	81L8-00190 #0067-	4	81L8-00102 #0066 81LG-40100 #0067-	4
	17.5x25-12PR(L2)	81L8-00200 #0066 81LG-40030 #0067-	4	81L8-00210 #0067-	4	81L8-00102 #0066 81LG-40100 #0067-	4
HL730-7A	17.5x25-12PR(L3)	81LG-40010(K)* ¹ 81LG-41000(C)* ¹	4	81L3-01030(K)* ¹ 81L3-01030C(C)* ¹	4	81LG-40100	4
	17.5 R25 XHA★	81LG-40020	4	81L8-00190	4	81LG-40100	4
	17.5x25-12PR(L2)	81LG-40030	4	81L8-00210	4	81LG-40100	4
	17.5 R25(L3)	81LG-40040 #0033-	4	81L8-00190C	4	81LG-40100	4
HL730-9 HL730TM-9	17.5x25-12PR(L3)	81LP-40010(C)* ¹ 81LP-40020(K)* ¹	4	81L3-01030C(C)* ¹ 81L3-01030(K)* ¹	4	81LP-40100	4
	17.5x25-12PR(L2)	81LP-40030	4	81L8-00210	4	81LP-40100	4
	17.5 R25 XHA★	81LP-40040	4	81L8-00190	4	81LP-40100	4
	17.5 R25(L3)	81LP-40050	4	81L8-00190C	4	81LP-40100	4
HL730TM-7	17.5x25-12PR(L3)	81L8-00091(K)* ¹ #0009 81LG-40010(K)* ¹ #0010- 81LG-41000(C)* ¹ #0030-	4	81L3-01030(K)* ¹ #0009 81L3-01030(K)* ¹ #0010- 81L3-01030C(C)* ¹ #0030-	4	81L8-00102(K)* ¹ #0009 81LG-40100(K)* ¹ #0010- 81LG-40100(C)* ¹ #0030-	4
	17.5 R25 XHA★	81LB-00200 #0009 81LG-40020 #0010-	4	81L8-00190 #0009	4	81L8-00102 #0009 81LG-40100 #0010-	4
	17.5x25-12PR(L2)	81L8-00200 #0009 81LG-40030 #0010-	4	81L8-00210 #0009	4	81L8-00102 #0009 81LG-40100 #0010-	4

*1See illustration

Tire and wheel rim

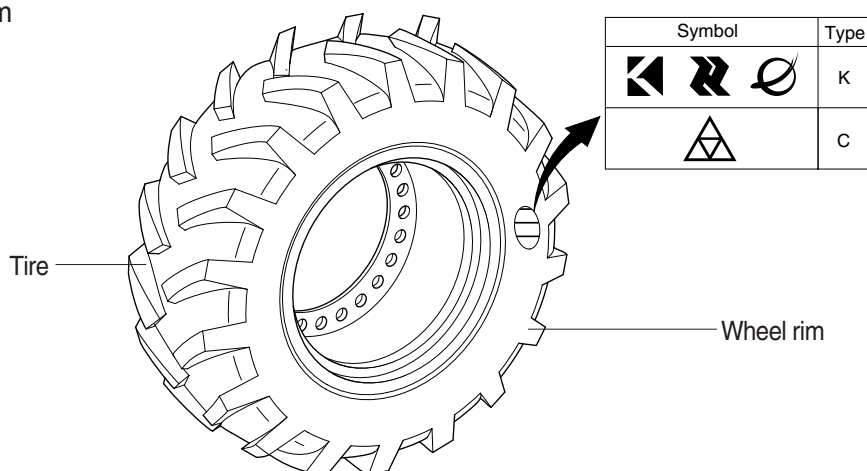


Wheel loader

Model	Specification	Tire & wheel rim assy		Tire		Wheel rim	
		Part no.	Qty	Part no.	Qty	Part no.	Qty
HL730TM-7A	17.5x25-12PR(L3)	81LG-40010(K) 81LG-41000(C)	4	81L3-01030 (K) 81L3-01030C (C)	4	81LG-40100	4
	17.5 R25 XHA★	81LG-40020	4	81L8-00190	4	81LG-40100	4
	17.5x25-12PR(L2)	81LG-40030	4	81L8-00210	4	81LG-40100	4
	17.5 R25 (L3)	81LG-40040 #0014-	4	81L8-00190C	4	81LG-40100	4
HL740-3	17.5x25-12PR(L3)	81L7-00160	4	81L3-01030	4	81L7-00150	4
	17.5x25-12PR(L2)	81L7-00210 #0711-	4	81L8-00210 #0711-	4	81L8-00150 #0711-	4
	17.5 R25 XHA★	81L7-00170	4	81L8-00190	4	81L7-00150	4
	20.5x25-16PR(L3)	81L7-00051	4	81L2-3104	4	81L7-00061 #0827- 81L7-00190 #0828-	4
	20.5x25-16PR(L2)	81L7-00180 #0642-	4	81L7-01030 #0642-	4	81L7-00061 #0827- 81L7-00190 #0828-	4
	20.5 R25 XHA★	81L7-00130	4	82L1-1017	4	81L7-00120 #0642-0827 81L7-00200 #0828-	4
HL740TM-3	17.5x25-12PR(L3)	81L7-00160	4	81L3-01030	4	81L7-00150	4
	17.5x25-12PR(L2)	81L7-00210 #0226-	4	81L8-00210 #0226-	4	81L8-00150 #0226-	4
	17.5 R25 XHA★	81L7-00170	4	81L8-00190	4	81L7-00150	4
	20.5x25-16PR(L3)	81L7-00051	4	81L2-3104	4	81L7-00061	4
	20.5x25-16PR(L2)	81L7-00180 #0186-	4	81L7-01030 #0186-	4	81L7-00061 #0186-	4
	20.5 R25 XHA★	81L7-00130	4	82L1-1017	4	81L7-00120	4
HL740-7	17.5x25-12PR(L3)	81L7-00160(K)*1 #0157- 81LF-40040(K)*1 #0158- 81LF-41010(C)*1 #0383-	4	81L3-01030(K)*1 #0158- 81L3-01030(K)*1 #0158- 81L3-01030C(C)*1 #0383-	4	81L7-00150(K)*1 #0157- 81LF-40100(K)*1 #0158- 81LF-40100(C)*1 #0383-	4
	17.5x25-12PR(L2)	81L7-00210 #0157- 81LF-40060 #0158-	4	81L8-00210	4	81L7-00150(K)*1 #0157- 81LF-40100(K)*1 #0158- 81LF-40100(C)*1 #0383-	4
	17.5 R25 XHA★	81L7-00170 #0157- 81LF-40050 #0158-	4	81L8-00190	4	81L7-00150 #0157- 81LF-40100 #0158-	4
	20.5x25-16PR(L3)	81L7-00051*1 #0157- 81LF-40010(K)*1 #0158- 81LF-41000(C)*1 #0383-	4	81L2-3104(K)*1 #0383- 81L2-3104C(C)*1 #0383-	4	81L7-00190*1 #0157- 81LF-40110*1 #0158-	4
	20.5x25-16PR(L2)	81L7-00180 #0157- 81LF-40020 #0158-	4	81L7-01030	4	81L7-00190 #0157- 81LF-40020 #0158-	4
	20.5 R25 XHA★	81L7-00130 #0162- 81LF-40031 #0163-	4	82L1-1017	4	81L7-00200 #0162- 81LF-40110 #0163-	4

*1See illustration

Tire and wheel rim



Wheel loader

Model	Specification	Tire & wheel rim assy		Tire		Wheel rim	
		Part no.	Qty	Part no.	Qty	Part no.	Qty
HL740-7A HL740TM-7A	17.5x25-12PR(L3)	81LF-40040(K)* ¹ 81LF-41010(C)* ¹	4	81L3-01030(K)* ¹ 81L3-01030C(C)* ¹	4	81LF-40100(K)* ¹ 81LF-40100(C)* ¹	4
	17.5x25-12PR(L2)	81LF-40060	4	81L8-00210	4	81LF-40100(K)* ¹ 81LF-40100* ¹	4
	17.5 R25 XHA★	81LF-40050	4	81L8-00190	4	81LF-40100	4
	20.5x25-16PR(L3)	81LF-40010(K)* ¹ 81LF-41000(C)* ¹	4	81L2-3104(K)* ¹ 81L2-3104C(C)* ¹	4	81LF-40110* ¹	4
	20.5x25-16PR(L2)	81LF-40020	4	81L7-01030	4	81LF-40020	4
	20.5 R25 XHA★	81LF-40031 81LF-40070(C)* ¹ #0200-	4	82L1-1017 82L1-1017C(C)* ¹ #0200-	4	81LF-40110	4
HL740-9 HL740TM-9	20.5x25-16PR(L3)	81LN-40010(K)* ¹	4	81L2-3104(K)* ¹	4	81LN-40100	4
		81LN-40020(C)* ¹	4	81L2-3104C(C)* ¹	4	81LN-40100	4
	20.5x25-16PR(L2)	81LN-40030	4	81L7-01030	4	81LN-40100	4
	20.5 R25 XHA★	81LN-40040(K)* ¹	4	82L1-1017(K)* ¹	4	81LN-40100	4
		81LN-40050(C)* ¹	4	82L1-1017C(C)* ¹	4	81LN-40100	4
	17.5x25-16PR(L3)	81LN-40060(K)* ¹	4	81L3-01030(K)* ¹	4	81LN-40200	4
	17.5x25-16PR(L2)	81LN-40070	4	81L8-00210	4	81LN-40200	4
	17.5x25-16PR(L3)	81LN-40080(C)* ¹	4	81L3-01030C(C)* ¹	4	81LN-40200	4
	17.5 R25 XHA★	81LN-40090	4	81L8-00190	4	81LN-40200	4
	23.1x26-16PR(LS2)* ⁴	81LN-40510(LH)	4	81LN-40540	4	81LN-40530	4
23.1x26-16PR(LS2)* ⁴	81LN-40520(RH)	4	81LN-40540	4	81LN-40530	4	
HL740TM-7	17.5x25-12PR(L3)	81L7-00160(K)* ¹ #0041	4	81L3-01030(K)* ¹ #0041	4	81L7-00150(K)* ¹ #0041	4
		81LF-40040(K)* ¹ #0042		81L3-01030(K)* ¹ #0042		81LF-40100(K)* ¹ #0042	
		81LF-41010(C)* ¹ #0128-		81L3-01030C(C)* ¹ #0128-		81LF-40100(C)* ¹ #0128-	
	17.5x25-12PR(L2)	81L7-00210 #0041	4	81L8-00210	4	81L8-00150 #0041	4
		81LF-40060 #0042-				81LF-40100 #0042-	
	17.5 R25 XHA★	81L7-00170 #0041	4	81L8-00190	4	81L7-00150 #0041	4
	81LF-40050 #0042-				81LF-40100 #0042-		
20.5x25-16PR(L3)	81L7-00051* ¹ #0041	4	81L2-3104(K)* ¹ #0128-	4	81L7-00190* ¹ #0041	4	
	81LF-40010(K)* ¹ #0042-				81LF-40110* ¹ #0042-		
	81LF-41000(C)* ¹ #0128-						
20.5x25-16PR(L2)	81L7-00180 #0041	4	81L7-01030	4	81L7-00190 #0041	4	
	81LF-40020 #0042-				81LF-40110 #0042-		
20.5 R25 XHA★	81L7-00130 #0043	4	82L1-1017	4	81L7-00200 #0043	4	
	81LF-40031 #0044-				81LF-40110 #0044-		

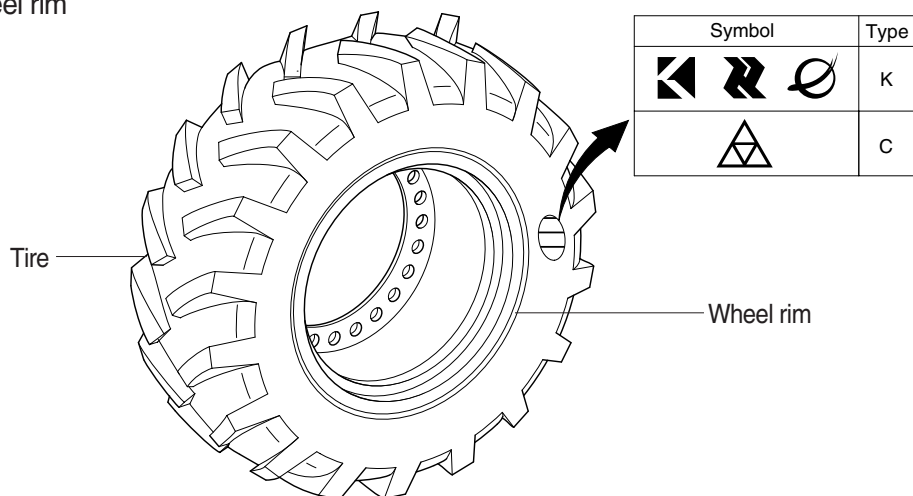
*¹See illustration

*²Volvo axle

*³ZF axle

*⁴Skidder

Tire and wheel rim



Wheel loader

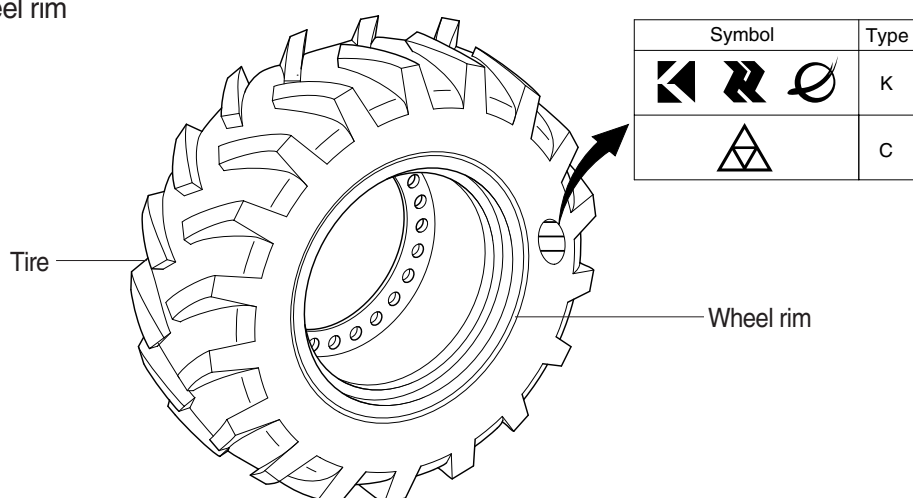
Model	Specification	Tire & wheel rim assy		Tire		Wheel rim			
		Part no.	Qty	Part no.	Qty	Part no.	Qty		
HL750 HL750TM	17.5 x25-12PR(L3)	81L3-0139	4	81L3-0103 81L3-01030	-#1000 #1001-	4	81L3-0101	4	
	20.5 x25-16PR(L3)	81L3-0140	4	81L2-3104		4	81L3-0144 84L3-00250	-#1317 #1318-	
	20.5 x25-16PR(L2)	81L3-01460	#1227-	4	81L7-01030	#1227-	4	81L3-0144 84L3-00250	#1227-1317 #1318-
	20.5 R25 XHA★	81L3-0141	4	81L1-1017		4	81L3-0143 84L3-00260	-#1317 #1318-	
HL757-7*2 (-#1274)	17.5x25-12PR(L3)	81LD-40030*1 81LD-41010*1	#0001- #0433-	4	81L3-01030(K)*1 81L3-01030C(C)*1	#0001- #0433-	4	81LD-40110(K)*1 81LD-40111(K)*1 81LD-40111(C)*1	-#0178 #0179- #0433-
	20.5x25-16PR(L5)	81LD-40050		4	84L3-00030		4	81LD-00010 81LD-40130	-#0178 #0179-
	20.5x25-16PR(L3)	81LD-40010(K)*1 81LD-41000(C)*1	#0001- #0433-	4	81L2-3104(K)*1 81L2-3104C(C)*1	#0001- #0433-	4	81LD-00010 81LD-40130	-#0178 #0179-
	20.5x25-16PR(L2)	81LD-40040		4	81L7-01030		4	81LD-00010 81LD-40130	-#0178 #0179-
	20.5 R25 XHA★	81LD-40020 81LD-40021	-#0170 #0171-	4	82L1-1017		4	81LD-00020 81LD-40130	-#0170 #0171-
	17.5 R25 XHA★	81LD-40060	#0433-	4	81L8-00190	#0433-	4	81LD-40111	#0433-
HL757TM-7*2 (-#0114)	17.5x25-12PR(L3)	81LD-40030(K)*1 81LD-41010(C)*1	#0001- #0015-	4	81L3-01030(K)*1 81L3-01030C(C)*1	#0001- #0015-	4	81LD-40111	
	20.5x25-16PR(L5)	81LD-40050		4	84L3-00030		4	81LD-40130	
	20.5x25-16PR(L3)	81LD-40010(K)*1 81LD-41000(C)*1	#0001- #0015-	4	81L2-3104(K)*1 81L2-3104C(C)*1	#0001- #0015-	4	81LD-40130	
	20.5x25-16PR(L2)	81LD-40040		4	81L7-01030		4	81LD-00010	
	20.5 R25 XHA★	81LD-40021		4	81L1-1017		4	81LD-40130	
	17.5 R25 XHA★	81LD-40060	#0015-	4	81L8-00190	#0015-	4	81LD-40111	#0015-
HL757-7*3 (#1275-) HL757TM-7*3 (#0115-) HL757-7A HL757TM-7A	17.5x25-12PR(L3)	81LD-42400(K)*1 81LD-42600(C)*1		4	81L3-01030(K)*1 81L3-01030C(C)*1		4	81LD-40100	
	20.5x25-16PR(L3)	81LD-42100(C)*1 81LD-42200(K)*1		4	81L2-3104C(C)*1 81L2-3104(K)*1		4	81LD-40150	
	20.5x25-16PR(L2)	81LD-42300(K)*1		4	81L7-01030		4	81LD-40150	
	20.5x25-16PR(L5)	81LD-42500(K)*1		4	84L3-00030		4	81LD-40150	
	20.5 R25 XHA★	81LD-42700		4	82L1-1017		4	81LD-40150	
	17.5 R25 XHA★	81LD-42800		4	81L8-00190		4	81LD-40100	

*1See illustration

*2Volvo axle

*3ZF axle

Tire and wheel rim



Wheel loader

Model	Specification	Tire & wheel rim assy		Tire		Wheel rim	
		Part no.	Qty	Part no.	Qty	Part no.	Qty
HL757-9 HL757TM-9	20.5x25-16PR(L3)	81LD-42100(C)* ¹ 81LD-42200(K)* ¹	4	81L2-3104C(C)* ¹ 82L2-3104(K)* ¹	4	81LD-40150	4
	20.5x25-16PR(L2)	81LD-42300	4	81L7-01030	4	81LD-40150	4
	20.5x25-16PR(L5)	81LD-42500	4	84L3-00030	4	81LD-40150	4
	20.5 R25 XHA★	81LD-42700	4	82L1-1017	4	81LD-40150	4
	20.5x25-12PR(L3)	81LD-42400(K)* ¹ 81LD-42600(C)* ¹	4	81L3-01030(K)* ¹ 81L3-01030C(C)* ¹	4	81LD-40100	4
	17.5 R25 XHA★	81LD-42800	4	81L8-00190	4	81LD-40100	4
	20.5 R25 XHA★	81LD-42900(C)* ¹	4	82L1-1017C(C)* ¹	4	81LD-40150	4
	28Lx26-20PR(LS2)* ⁴	81LM-40110(LH)	4	81LM-40140	4	81LM-40130	4
28Lx26-20PR(LS2)* ⁴	81LM-40120(RH)	4	81LM-40140	4	81LM-40130	4	
HL760	20.5x25-16PR(L3)	84L4-00060	4	81L2-3104	4	84L4-00070 84L4-01280	-#1388 #1389
	23.5x25-20PR(L3)	82L4-0071	4	81L1-3105	4	82L4-0072 84L4-01241	-#1388 #1389
	23.5 R25 XHA★	84L4-00080	4	82L1-1010	4	82L4-0072 84L4-01241	-#1388 #1389
HL760-7	20.5x25-16PR(L3)	81LC-40030* ¹ 81LC-41010* ¹	#0001- #0443- 4	81L2-3104(K)* ¹ 81L2-3104C(C)* ¹	#0001- #0443- 4	81LC-00020(K)* ¹ 81LC-40060(K)* ¹ 81LC-40060(C)* ¹	-#0167 #0168- #0443- 4
	23.5x25-20PR(L3)	81LC-40010(K)* ¹ 81LC-41000(C)* ¹	#0001- #0443- 4	81L1-3105(K)* ¹ 81L1-3105C(C)* ¹	#0001- #0443- 4	81LC-00010(K)* ¹ 81LC-40050(K)* ¹ 81LC-40050(C)* ¹	-#0167 #0168- #0443- 4
	23.5x25-20PR(L5)	81LC-40040	#0001- 4	84L4-00130	#0001- 4	81LC-00010 81LC-40050	-#0167 #0168- 4
	23.5 R25 XHA★	81LC-40020	#0001- 4	82L1-1010	4	81LC-00010 81LC-40050	-#0167 #0168- 4
HL760-7A* ² (#0293)	20.5x25-16PR(L3)	81LC-40030* ¹ 81LC-41010* ¹	4	81L2-3104(K)* ¹ 81L2-3104C(C)* ¹	4	81LC-40060(K)* ¹ 81LC-40060(C)* ¹	4
	23.5x25-20PR(L3)	81LC-40010(K)* ¹ 81LC-41000(C)* ¹	4	81L1-3105(K)* ¹ 81L1-3105C(C)* ¹	4	81LC-40050(K)* ¹ 81LC-40050(C)* ¹	4
	23.5x25-20PR(L5)	81LC-40040	4	84L4-00130	4	81LC-40050	4
	23.5 R25 XHA★	81LC-40020	4	82L1-1010	4	81LC-40050	4
HL760-7A* ³ (#0294-)	23.5x25-20PR(L3)	81LC-42100(C)* ¹	4	81L1-3105C(C)*	4	81LC-40080	4
		81LC-42200(K)* ¹	4	81L1-3105(K)* ¹	4	81LC-40080	4
	23.5x25-20PR(L5)	81LC-42400(K)* ¹	4	84L4-00130(K)* ¹	4	81LC-40080	4
	23.5 R25 XHA★	81LC-42600	4	81L1-1010	4	81LC-40080	4
	20.5x25-16PR(L3)	81LC-42300(K)* ¹ 81LC-42500(C)* ¹	4	81L2-3104(K)* ¹ 81L2-3104C(C)* ¹	4	81LC-40090	4

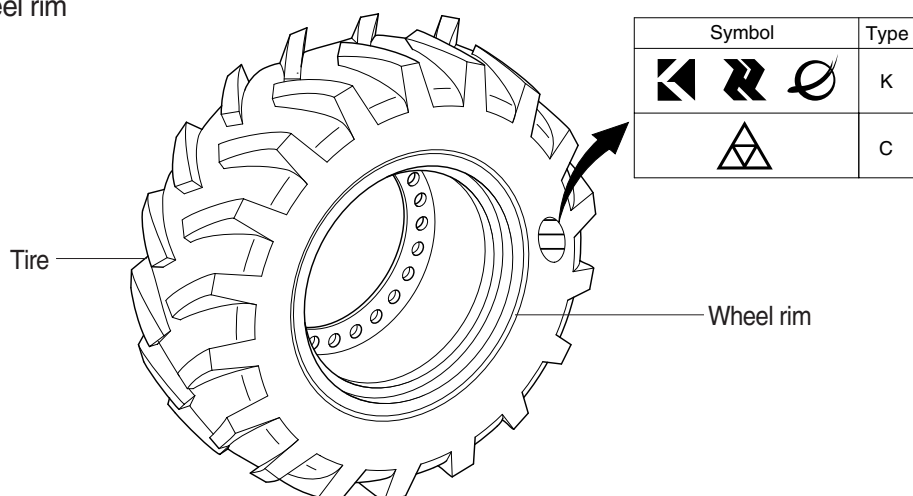
*¹See illustration

*²Volvo axle

*³ZF axle

*⁴Skidder

Tire and wheel rim

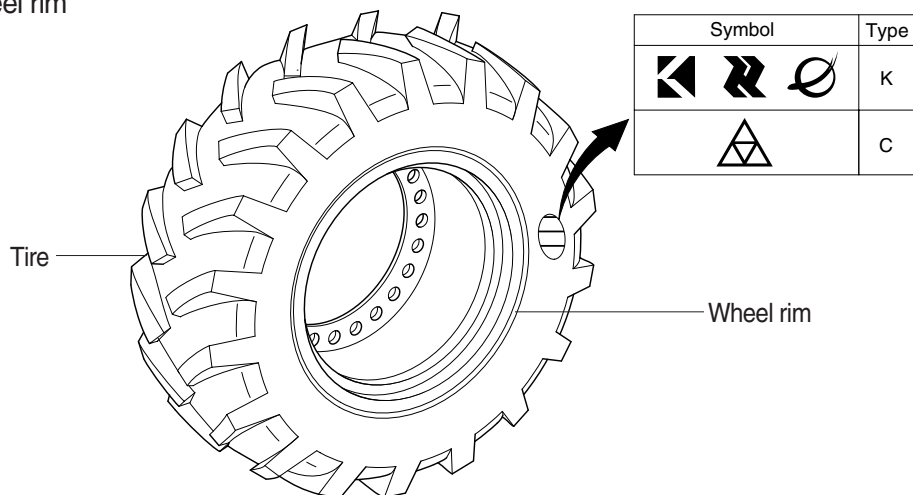


Wheel loader

Model	Specification	Tire & wheel rim assy		Tire		Wheel rim	
		Part no.	Qty	Part no.	Qty	Part no.	Qty
HL760-9	23.5×25-20PR(L3)	81LC-42100(C)* ¹ 81LC-42200(K)* ¹	4	81L1-3105C(C)* ¹ 81L1-3105(K)* ¹	4	81LC-40080	4
	23.5×25-20PR(L5)	81LC-42400	4	84L4-00130	4	81LC-40080	4
	23.5 R25-XHA★	81LC-42600	4	82L1-1010	4	81LC-40080	4
	20.5×25-16PR(L3)	81LC-42300(K)* ¹	4	81L2-3104(K)* ¹	4	81LC-40090	4
	20.5×25-16PR(L3)	81LC-42500(C)* ¹	4	81L2-3104C(C)* ¹	4	81LC-40090	4
HL770	23.5×25-20PR(L3)	81L1-3107	4	81L1-3105	4	81L6-00121	4
	26.5×25-20PR(L3)	82L1-1007	4	82L1-1006	4	81L6-00121	4
	26.5×25-32PR(L3)	82L1-10220 #1162-	4	84L1-00300 #1162-	4	81L6-00121 #0094-	4
	26.5×25-28PR(L3)	82L1-10230 #1171-	4	84L1-00290 #1171-	4	81L6-00830	4
HL770-7	23.5×25-20PR(L3)	81LB-40020(K)* ¹ #0001- 81LB-41010(C)* ¹ #0346-	4	81L1-3105(K)* ¹ #0001- 81L1-3105C(C)* ¹ #0346-	4	81LB-00020(K)* ¹ #0140 81LB-40080(K)* ¹ #0141- 81LB-40080(C)* ¹ #0346-	4
	26.5×25-20PR(L3)	81LB-40010(K)* ¹ #0001- 81LB-41000(C)* ¹ #0346-	4	82L1-1006(K)* ¹ #0001- 82L1-1006C(C)* ¹ #0346-	4	81LB-00010(K)* ¹ #0140 81LB-40070(K)* ¹ #0141- 81LB-40070(C)* ¹ #0346-	4
	26.5×25-32PR(L3)	81LB-40050	4	84L1-00300	4	81LB-00010 #0140 81LB-40070 #0141-	4
	26.5×25-28PR(L3)	81LB-40040	4	84L1-00290	4	81LB-00010 #0140 81LB-40070 #0141-	4
	26.5 R25 XHA★	81LB-40030	4	81L1-1011	4	81LB-00010 #0140 81LB-40070 #0141-	4
HL770-7A* ² (#0458)	23.5×25-20PR(L3)	81LB-40020(K)* ¹ 81LB-41010(C)* ¹	4	81L1-3105(K)* ¹ 81L1-3105C(C)* ¹	4	81LB-40080(K)* ¹ 81LB-41080(C)* ¹	4
	26.5×25-20PR(L3)	81LB-40010(K)* ¹ 81LB-41000(C)* ¹	4	82L1-1006(K)* ¹ 82L1-1006C(C)* ¹	4	81LB-40070(K)* ¹ 81LB-40070(C)* ¹	4
	26.5×25-32PR(L3)	81LB-40050	4	84L1-00300	4	81LB-40070	4
	26.5×25-28PR(L3)	81LB-40040	4	84L1-00290	4	81LB-40070	4
	26.5 R25 XHA★	81LB-40030	4	81L1-1011	4	81LB-40070	4
HL770-7A* ³ (#0459-)	26.5×25-20PR(L3)	81LB-42200(K)* ¹ 81LB-42100(C)* ¹	4	82L1-1006(K)* ¹ 82L1-1006C(C)* ¹	4	81LB-40100	4
	23.5×25-20PR(L3)	81LB-42300(K)* ¹ 81LB-42700(C)* ¹	4	81L1-3105(K)* ¹ 81L1-3105C(C)* ¹	4	81LB-40110	4
	26.5×25-20PR(L5)	81LB-42400	4	84L1-00450(K)* ¹	4	81LB-40100	4
	26.5×25-28PR(L3)	81LB-42500	4	84L1-00290(K)* ¹	4	81LB-40100	4
	26.5×25-32PR(L3)	81LB-42600	4	84L1-00300(K)* ¹	4	81LB-40100	4
	26.5 R25 XHA★	81LB-42800	4	81L1-1011	4	81LB-40100	4

*¹See illustration *²Volvo axle *³ZF axle

Tire and wheel rim

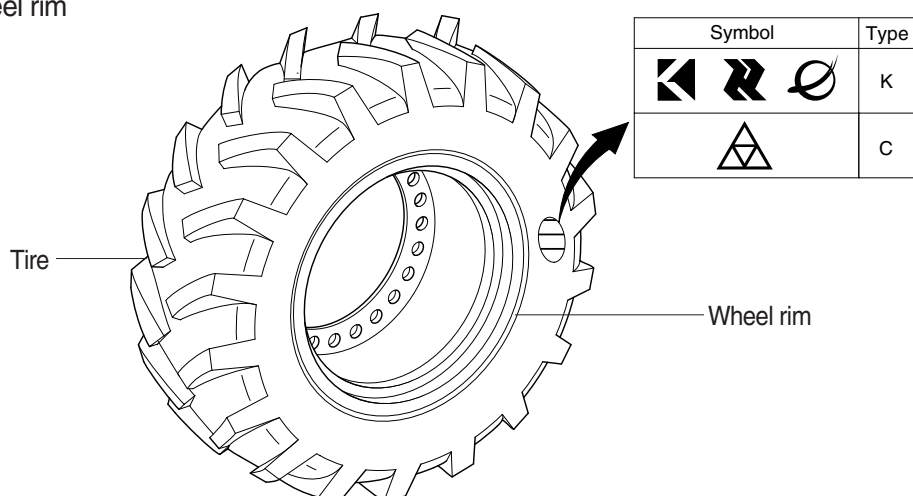


Wheel loader

Model	Specification	Tire & wheel rim assy		Tire		Wheel rim	
		Part no.	Qty	Part no.	Qty	Part no.	Qty
HL770-9	26.5×25-20PR(L3)	81LB-42100(C) ^{*1} 81LB-42200(K) ^{*1}	4	82L1-1006C(C) ^{*1} 82L1-1006(K) ^{*1}	4	81LB-40100	4
	26.5 R25	81LB-42900 ^{*4}	4	81L1-1011C(C) ^{*1}	4	81LB-40100	4
	23.5×25-20PR(L3)	81LB-42300(C) ^{*1} 81LB-42700(K) ^{*1}	4	81L1-3105(C) ^{*1} 81L1-3105C(K) ^{*1}	4	81LB-40110	4
	26.5×25-20PR(L5)	81LB-42400(C) ^{*1}	4	84L1-00450(C) ^{*1}	4	81LB-40100	4
	26.5×25-28PR(L3)	81LB-42500	4	84L1-00290	4	81LB-40100	4
	26.5×25-32PR(L3)	81LB-42600	4	84L1-00300	4	81LB-40100	4
	26.5 R25 XHA★	81LB-42800	4	81L1-1011	4	81LB-40100	4
HL780-3	29.5×25-22PR(L3)	81L6-00111	4	81L6-00130	4	81L6-00121	4
	29.5×25-28PR(L5)	81L6-00860	4	81L6-00850	4	81L6-00121	4
	29.5×25-28PR(L3)	81L6-01030 #0094-	4	81L6-01020 #0094-	4	81L6-00121 #0094-	4
	26.5×25-32PR(L3)	81L6-00880	4	84L1-00300	4	81L6-00830	4
	29.5 R25 XHA★	81L6-00870	4	81L6-00840	4	81L6-00121	4

^{*1}See illustration ^{*2}Volvo axle ^{*3}ZF axle ^{*4}Radial

Tire and wheel rim

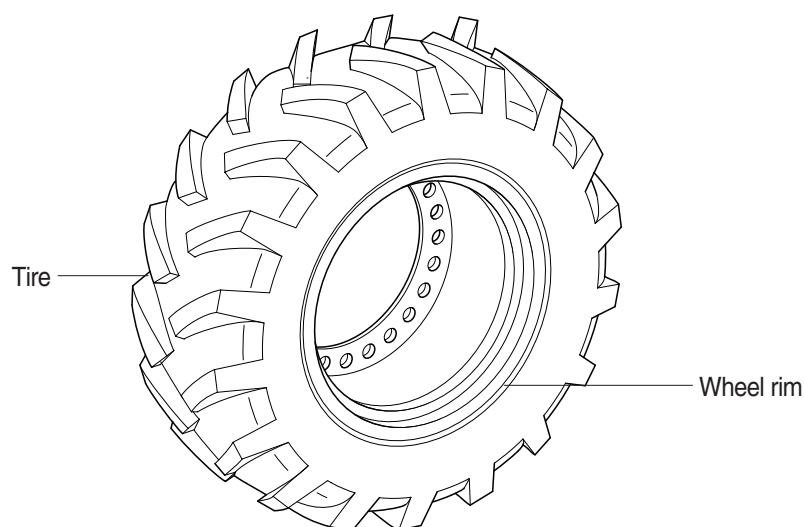


Wheel loader

Model	Specification	Tire & wheel rim assy		Tire		Wheel rim		
		Part no.	Qty	Part no.	Qty	Part no.	Qty	
HL780-3A	29.5×25-22PR(L3)	81L6-00111	4	81L6-00130	4	81L6-01190	4	
	29.5×25-28PR(L5)	81L6-00860	4	81L6-00850	4	81L6-01190	4	
	26.5×25-32PR(L3)	81L6-00880	4	84L1-00300	4	84L1-00830	4	
	29.5 R25 XHA★	81L6-00870	4	81L6-00840	4	81L6-01190	4	
HL780-7A	29.5×25-22PR(L3)	81L6-00111(K) ^{*1} 81L6-00112(K) ^{*1} 81L6-01330(C) ^{*1} 81L6-01331(C) ^{*1}	-#0510 #0511- -#0510 #0511-	4	81L6-00130(K) ^{*1} 81L6-00130C(C) ^{*1}	4	81L6-01310 81L6-01400 -#0510 #0511-	4
	29.5×25-28PR(L5)	81L6-00860 81L6-00861	-#0510 #0511-	4	81L6-00850	4	81L6-01310 81L6-01400 -#0510 #0511-	4
	29.5 R25 XHA★	81L6-00870 81L6-00871	-#0510 #0511-	4	81L6-00840	4	81L6-01310 81L6-01400 -#0510 #0511-	4
	29.5 R25(L3)	81L6-00870C(C) ^{*1} 81L6-00871C(C) ^{*1}	#0128-0510 #0511-	4	81L6-00840C(C) ^{*1}	4	81L6-01310 81L6-01400 -#0510 #0511-	4
	26.5×25-32PR(L3)	81L6-00880		4	84L1-00300	4	81L6-01320	4
HL780-9	29.5×25-22PR(L3)	81LQ-40100(C) ^{*1} 81LQ-40110(K) ^{*1}		4	81L6-00130C(C) ^{*1} 81L6-00130(K) ^{*1}	4	81LQ-40030	4
	29.5×25-28PR(L5)	81LQ-40120		4	81L6-00850	4	81LQ-40030	4
	29.5 R25 XHA★	81LQ-40130		4	81L6-00840	4	81LQ-40030	4
	29.5×25-28PR(L3)	81LQ-40140		4	81L6-01020	4	81LQ-40030	4
	26.5×25-32PR(L3)	81LQ-40150(C) ^{*1} 81LQ-40160(K) ^{*1}		4	81L6-00840C(C) ^{*1} 84L1-00300(K) ^{*1}	4	81LQ-40040	4

^{*1}See illustration ^{*2}Volvo axle ^{*3}ZF axle

Tire and wheel rim



Skid steer loader

Model	Specification	Tire & wheel rim assy		Tire		Wheel rim		
		Part no.	Qty	Part no.	Qty	Part no.	Qty	
HSL610	10.00×16.5-6PR ^{*1*3}	-		81S1-4002	4	81S1-4003 81S1-40030	-#0226 #0227-	4
	7.50×16-12PR ^{*1*4}	-		82S1-42020	4	82S1-42030		4
	8.25×16-16PR ^{*1*4}	-		82S4-42020	4	82S1-42030		4
	8.25×15 ^{*2}	82S4-42100	4	J05896400	4	82S4-42090		4
HSL650-7	10.00×16.5-6PR ^{*1*3}	80S8-40100	4	81S1-4002 81S8-60010 81S1-4002	-#0035 #0036-0765 #0766-	4	81S1-40031	4
	7.5×16-12PR ^{*1*4}	80S8-40200	4	82S1-42020		4	81S8-40010	4
	8.25×16-16PR ^{*1*4}	80S8-40300	4	82S4-42020		4	81S8-40010	4
	8.25×15 ^{*2}	82S4-42100	4	J05896400		4	82S4-42090	4
HSL650-7A	10.00×16.5-6PR ^{*1*3}	80S8-40100	4	81S1-4002		4	81S1-40031	4
	7.5×16-12PR ^{*1*4}	80S8-40200	4	82S1-42020		4	81S8-40010	4
	8.25×16-16PR ^{*1*4}	80S8-40300	4	82S4-42020		4	81S8-40010	4
	8.25×15 ^{*2}	82S8-42100	4	J05896400		4	82S4-42090	4
HSL810	12.00×16.5-12PR ^{*1*3}	-		81M5-00070		4	81S5-40030	4
	8.25×16-16PR ^{*1*4}	-		82S4-42020		4	82S5-42030	4
	8.25×15 ^{*2}	82S5-42100	4	J05896400		4	82S5-42090	4
HSL850-7	12.00×16.5-12PR ^{*1*3}	80S7-40100	4	81M5-00070 81M8-20010 81M5-00070	-#0120 #0121-1060 #1061-	4	81S5-40031	4
	8.25×16-16PR ^{*1*4}	80S7-40300	4	82S4-42020		4	82S5-42030	4
	8.25×15 ^{*2}	82S5-42100	4	J05896400		4	82S5-42090	4
HSL850-7A	12.00×16.5-12PR ^{*1*3}	80S7-40100	4	81M5-00070		4	81S5-40031	4
	8.25×16-16PR ^{*1*4}	80S7-40300	4	82S4-42020		4	82S5-42030	4
	8.25×15 ^{*2}	82S5-42100	4	J05896400		4	82S5-42090	4

*1Pneumatic tire

*2Solid tire

*3Tubeless

*4Tube type